



# SERVICE PARTS LIST

**BULLETIN NO.**  
**54-05-0527**

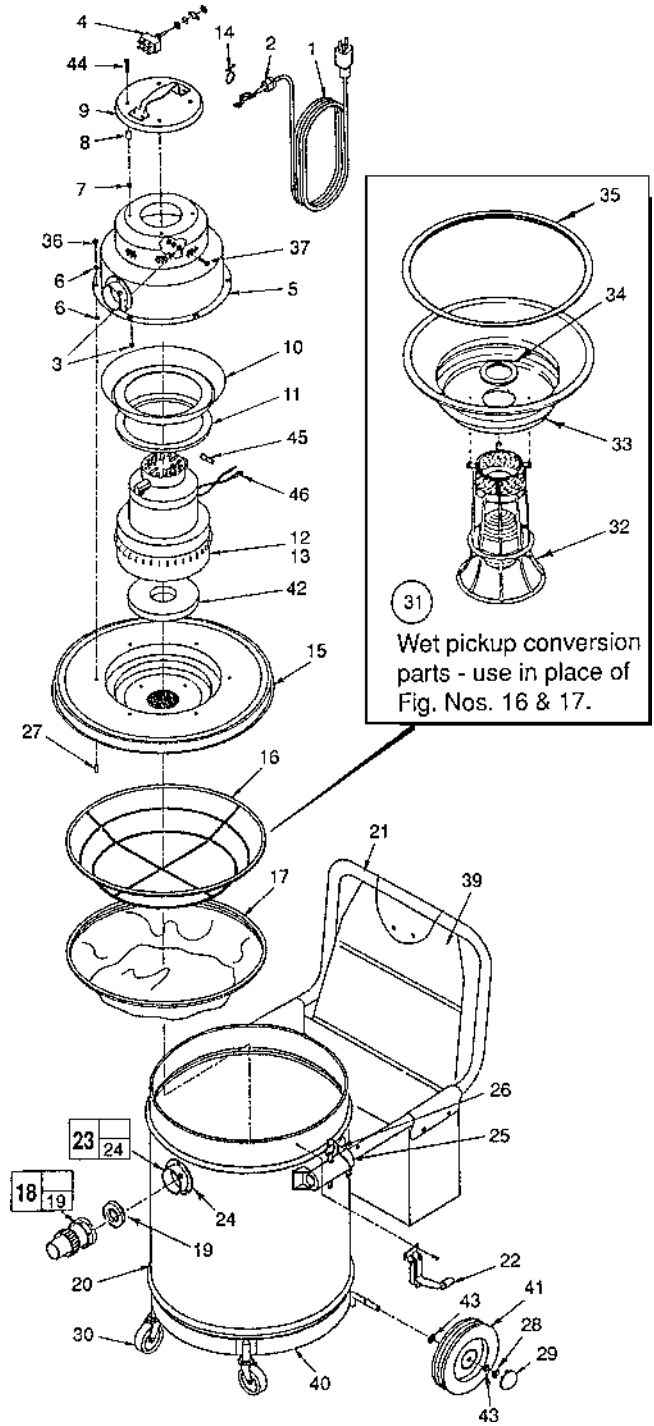
<b>SPECIFY CATALOG NO. AND SERIAL NO. WHEN ORDERING PARTS</b>		REVISED BULLETIN 54-05-0526	DATE Jan. 2001
<b>HEAVY-DUTY VACUUM CLEANER</b>			
<b>CATALOG NO.</b>	<b>8912</b>	<b>STARTING SERIAL NO.</b>	<b>635A</b>
		<b>WIRING INSTRUCTION SEE REVERSE SIDE</b>	

**EXAMPLE:**



Component Parts (Small #)  
Are Included When Ordering  
The Assembly (Large #).

FIG. PART NO.	DESCRIPTION OF PART	NO. REQ.
1	22-64-0700 Cord Set	(1)
2	44-76-0020 Strain Relief	(1)
★ 3	06-55-3800 10-24 Hex Nut	(7)
4	23-66-0870 Switch	(1)
★ 5	42-92-1055 Dome Assembly	(1)
★ 6	45-88-8680 #12 Internal Tooth Lockwasher	(2)
★ 7	45-88-8695 .37 Dia. x .18 Nylon Spacer	(4)
★ 8	45-88-8700 .37 Dia. x .56 Nylon Spacer	(4)
★ 9	44-66-6175 Dome Cap With Handle	(1)
★ 10	42-04-3595 Baffle	(1)
★ 11	43-44-1025 Top Motor Gasket	(1)
★ 12	23-30-0305 3 Stage Motor	(1)
★ 13	22-18-0905 Carbon Brush and Holder (Set)	(1)
★ 14	22-38-0170 Wire Tie	(1)
★ 15	42-92-1060 Cover Assembly	(1)
★ 16	49-90-0275 Wire Frame	(1)
★ 17	49-90-0265 Cloth Filter and Gasket	(1)
18	49-90-0150 Swivel End Connector	(1)
19	43-44-0275 Fitted Gasket	(1)
20	42-51-0350 Steel Dust Container Assembly (Incl. Fig. Nos. 21 thru 26)	(1)
21	43-62-0920 Push Handle	(1)
22	42-68-0291 Holddown Clamp	(3)
23	42-86-0080 Inlet Connector Assembly	(1)
24	43-44-0370 Gasket	(1)
25	42-36-1550 Handle Bracket	(2)
26	44-60-0860 Pin and Ring Assembly	(2)
★ 27	44-76-0275 Screw Tip Protector	(6)
28	06-57-7505 Pal Nut	(2)
29	42-52-0220 Hub Cap	(2)
30	45-94-0140 Swivel Bearing Caster	(2)
31	49-90-1610 Wet Pick-up Conversion Pan Assembly (Incl. Fig. Nos. 32 thru 35)	(1)
32	42-46-0110 Float Cage Assembly	(1)
33	44-54-0050 Wet Pan Adapter	(1)
34	43-44-0340 Shut Off Gasket	(1)
35	43-44-0330 Gasket	(1)
★ 36	06-81-1815 12 x 1/2 Phillips Type B Pan Hd. Screw	(6)
★ 37	06-81-1812 10-24 x 3/4" Phlp. Screw	(1)
★ 38	49-90-0302 Filter Bags (Package of Five) Not Shown	(1)
39	49-90-0250 Tool Caddy Bag	(1)
40	43-08-0195 Dolly Ring Body	(1)
41	45-94-0130 Wheel	(2)
★ 42	43-44-1030 Bottom Motor Gasket	(1)
★ 43	45-88-5253 Washer	(4)
★ 44	06-81-1825 10-24 x 1" Round Hd. Phlp. Screw	(4)
★ 45	23-71-0010 Wire Nut	(4)
★ 46	23-74-1280 Terminal	(1)
★	12-20-8900 Service Nameplate Kit	(1)
★	10-20-8900 Warning Label	(1)
★	10-05-5050 Conversion Label	(1)



# WIRING SCHEMATIC

8911, 8912, 8912-2, 8925, 8925-2  
8926, 8935, 8945, 8945-2

