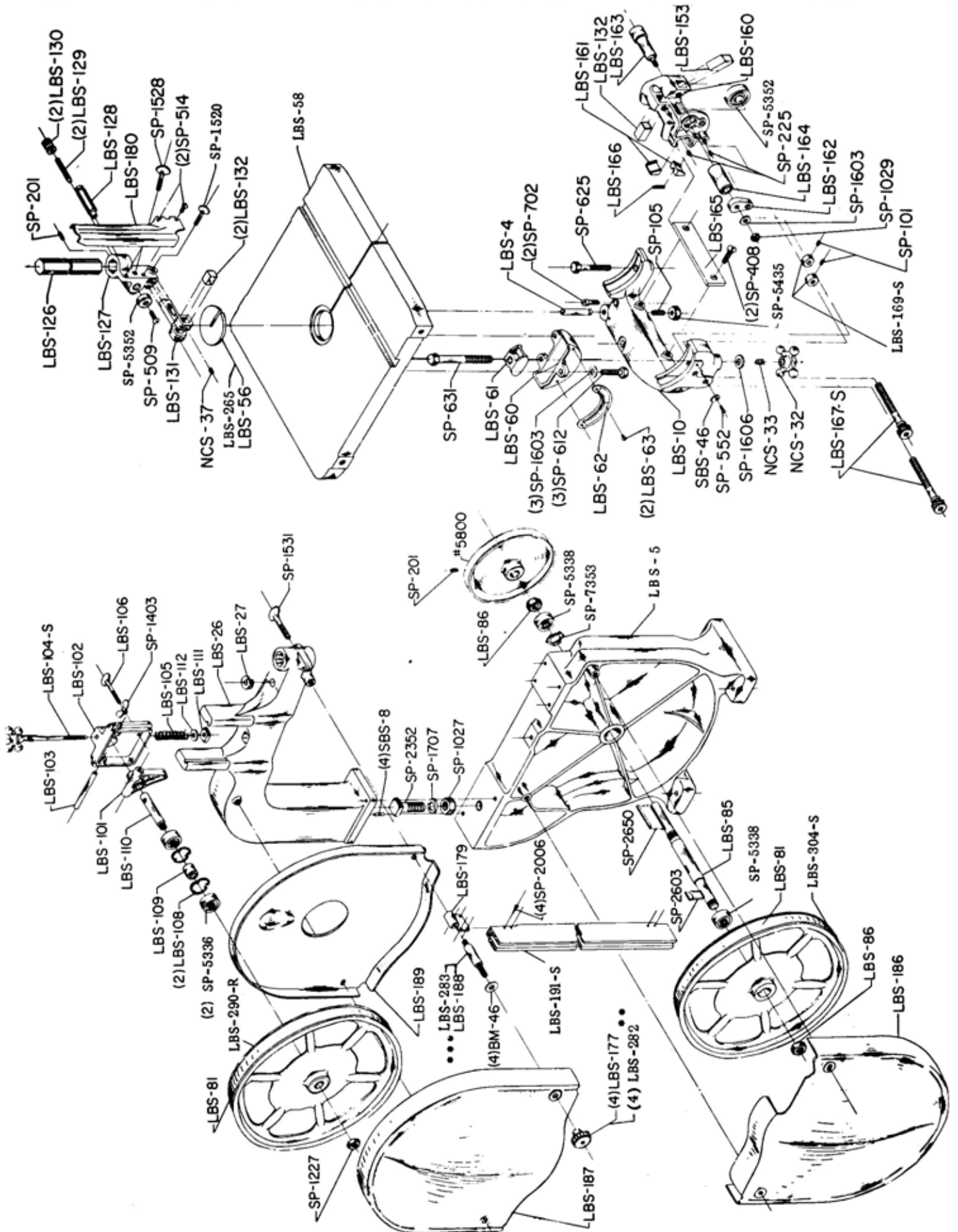
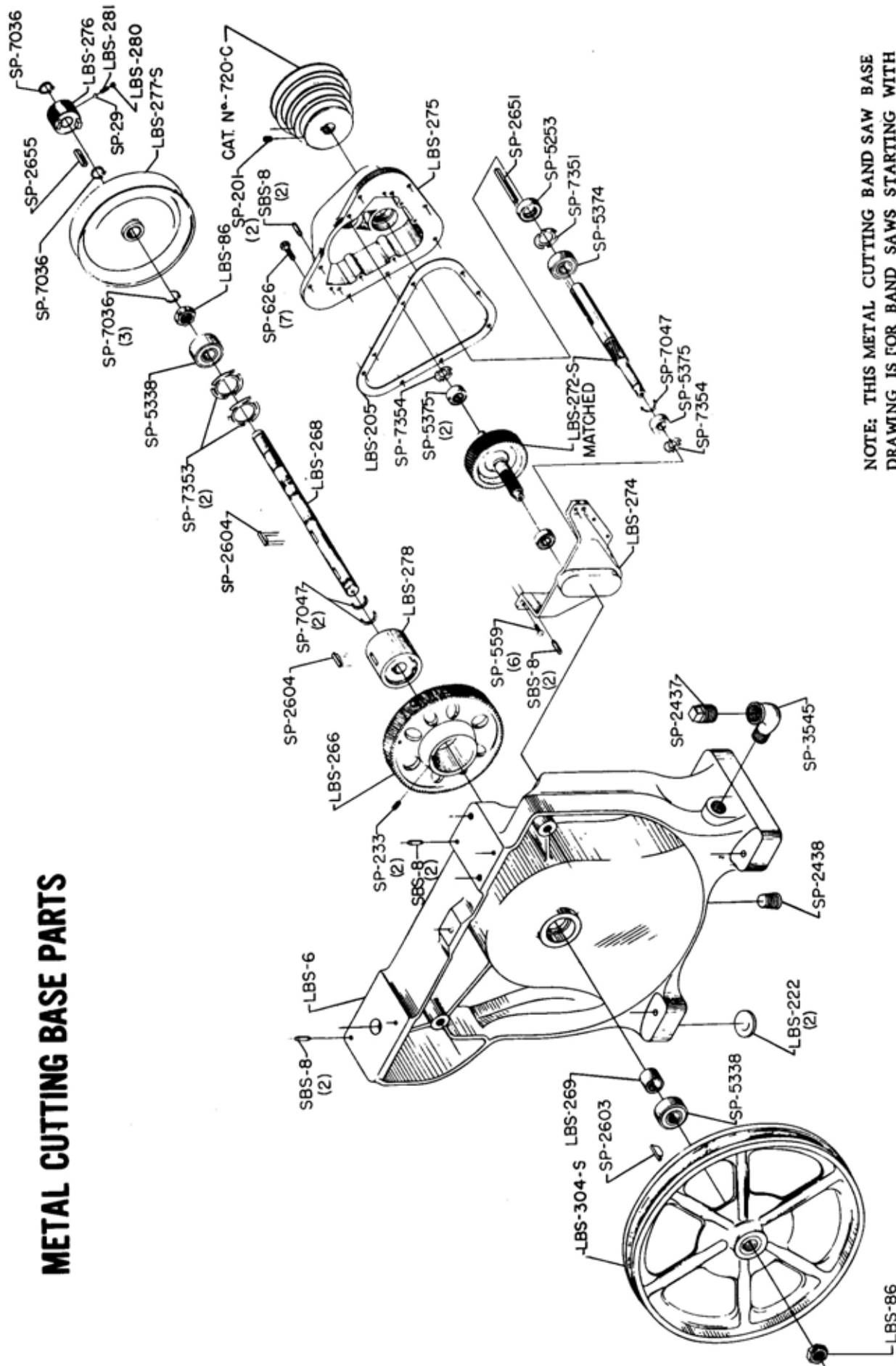




880, 890, 28-205, 28-207  
14" WOOD AND METAL-WOOD  
CUTTING BAND SAWS (OLD STYLE)

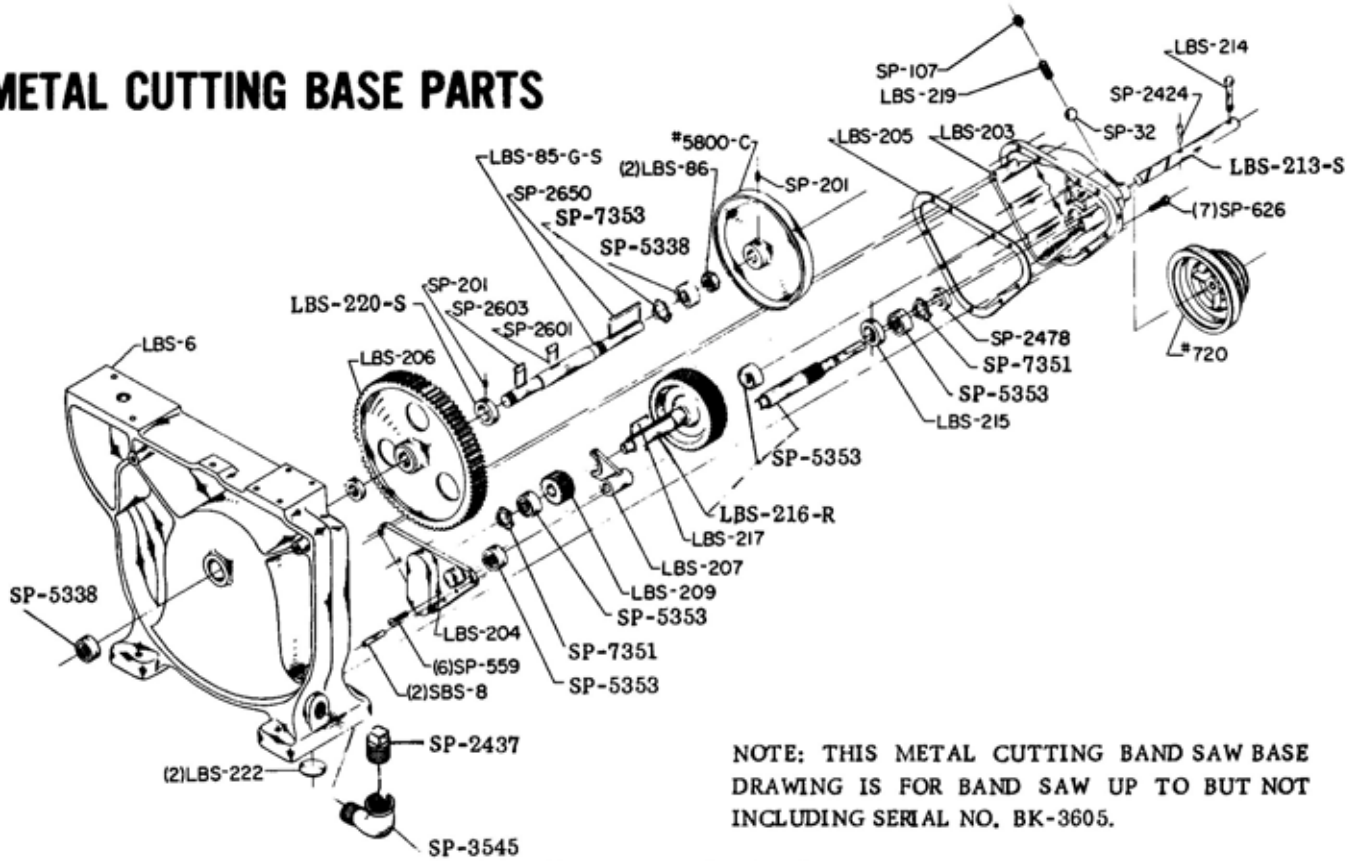


# METAL CUTTING BASE PARTS



NOTE: THIS METAL CUTTING BAND SAW BASE DRAWING IS FOR BAND SAWS STARTING WITH SERIAL NO. BK-3605 UP TO BUT NOT INCLUDING BU-8780.

# METAL CUTTING BASE PARTS



NOTE: THIS METAL CUTTING BAND SAW BASE DRAWING IS FOR BAND SAW UP TO BUT NOT INCLUDING SERIAL NO. BK-3605.

## Replacement Parts

Part No.	Description	Part No.	Description
BM-45	13/32" Spring Washer	LBS-127-S	Upper Blade Guide, Consisting of:
BM-46	25/64" Washer	LBS-127	Bracket
LBS-4	Table Stop	LBS-128	Hex. Shaft
LBS-5	Base for Wood Cutting	LBS-129	Set Screw
LBS-10	Trunnion Support Bracket	LBS-130	Knurled Nut
LBS-26	Upper Frame Arm	LBS-131-S	Guide Bracket, Consisting of:
LBS-27	Rubber Grommet	LBS-131	Bracket
LBS-55	Tapered Table Pin	LBS-132	Guide Blocks
LBS-56	Table Insert	SP-225	5/16-18 x 1/4" Set Scr.
LBS-58	Table	SP-201	5/16-18 x 5/16" Set Scr.
* LBS-60-S	Trunnion, Consisting of:	SP-509	1/4-20 x 1/2" Rd. Hd. Scr.
LBS-60	Trunnion	SP-514	1/4-20 x 3/8" Rd. Hd. Scr.
LBS-62	Scale	SP-1520	5/16-18 x 1/2" Thumb Scr.
LBS-63	Brass Rivet	SP-1528	5/16-18 x 1" Thumb Scr.
LBS-61	Trunnion Clamp Shoe	SP-5352	Bearing
LBS-85	Shaft	* LBS-160-S	Lower Guide, consisting of:
LBS-86	Hex. Jam Nut	LBS-132	Blade Guide Blocks
LBS-101	Upper Wheel Shaft Hinge	LBS-153	Angle Guide Blocks
LBS-102	Upper Wheel Sliding Bracket	LBS-160	Support Bracket
LBS-103	Steel Pin	LBS-161	Wedge
LBS-104-S	Blade Tension Screw Assy.	LBS-162	Adj. Link
LBS-105	Coil Spring	LBS-163	Steel Shaft
LBS-106	Thumb Scr.	LBS-164	Spacing Sleeve
LBS-109	Spacing Sleeve	LBS-165	Rail
LBS-110	Upper Wheel Shaft	LBS-166	Coil Spring
LBS-111	Square Nut	SP-225	5/16-18 x 1/4" Set Scr.
LBS-112	13/32" Fiber Washer	SP-1029	1/4"-20 Hex. Nut
LBS-126	Guide Post	SP-1603	1/4" Steel Washer
		SP-5352	Bearing

## Replacement Parts (continued)

Part No.	Description	Part No.	Description
LBS-167-S	Adj. Scr. w/ Knob	LBS-222	1 1/2" Expansion Plug
LBS-169-S	Set Collar, Incl:	LBS-304-S	Lower Wheel, Incl:
SP-101	1/4-20 x 1/4" Set Scr.	LBS-81	Tire
LBS-170	25/64" Fiber Washer	SBS-8	Dowel Pin
** LBS-177	Knob -for Band Saws up to Ser. No. BK-3605	SP-32	5/16" Steel Ball
LBS-180	Sliding Blade Guard	SP-107	3/8-16 x 1/4" Set Scr.
LBS-186	Lower Wheel Guard	SP-559	#10-32 x 1/2" Rd. Hd. Scr.
LBS-187	Upper Wheel Guard	SP-626	1/4-20 x 3/4" Hex. Hd. Scr.
*** LBS-188	Stud-for Band Saws up to Ser. No. BK-3605	SP-2437	1/2" Pipe Plug
LBS-189	Upper Wheel Guard Pan	SP-2478	Oil Seal
LBS-191-S	Wooden Guard, Incl:	SP-2601	#9 Woodruff Key
LBS-179	Bracket	SP-2603	#705 Hi-Pro Key
SP-2006	#5 x 1/2" Rd. Hd. Wood Scr.	SP-2650	3/16 x 3/16 x 1 3/8" Key
LBS-265	Steel Insert	SP-3545	1/2 x 1/2 x 90° St. Elbow
** LBS-282	Knob for Band Saws Ser. No. BK-3605 & Higher	SP-5338	Bearing
*** LBS-283	Stud for Band Saw Ser. No. BK-3605 & Higher	SP-5353	Bearing
LBS-290-R	Upper Wheel, Incl:	SP-7351	Bearing Loading Spring
LBS-81	Tire	SP-7353	Bearing
LBS-108	Bearing Retainer	#720	Drive Pulley, Incl:
LBS-304-S	Lower Wheel, Incl:	SP-201	5/16-18 x 5/16" Set Scr.
LBS-81	Tire	#5800	Pulley 3/4" Bore, Incl:
NCS-32	Hand Knob	SP-201	5/16-18 x 5/16" Set Scr.
NCS-33	Spring		
SBS-8	Tapered Dowel Pin		
SBS-46	Flat Pointer		
SP-105	5/16-18 x 2" Set Scr.		
SP-408	5/16-18 x 3/4" Flat Hd. Scr.		
SP-552	#10-32 x 5/16" Rd. Hd. Scr.		
SP-612	1/4-20 x 5/8" Hex. Hd. Scr.		
SP-625	7/16-14 x 2 1/4" Hex. Hd. Scr.		
SP-631	7/16-14 x 4" Hex. Hd. Scr.		
SP-702	5/16-18 x 3/4" Fil. Hd. Scr.		
SP-1027	3/4"-10 Hex. Nut		
SP-1227	1/2"-20 Hex. Jam Nut		
SP-1403	5/16"-18 Wing Nut		
SP-1531	7/16-14 x 1 1/4" Thumb Scr.		
SP-1603	1/4" Steel Washer		
SP-1606	7/16" Washer		
SP-1707	3/4" Split Lockwasher		
SP-2352	3/4-10 x 2" Sq. Hd. Bolt		
SP-2603	#705 Hi-Pro Key		
SP-2650	3/16 x 3/16 x 1 3/8" Straight Key		
SP-5336	Bearing		
SP-5338	Bearing		
SP-5435	5/16"-18 Hex. Jam Nut		
SP-7353	ND-S-20 Bearing Spring		
<b>METAL CUTTING BASE PARTS FOR BAND SAWS UP TO BUT NOT INCLUDING SER. NO. BK-3605.</b>			
LBS-6	Base		
LBS-85-G-S	Drive Shaft w/ Stop Collar		
LBS-86	Hex. Jam Nut		
LBS-203	Gear Case		
LBS-204	Gear Case Cover		
LBS-205	Gasket		
LBS-206	Drive Gear		
LBS-207	Shift Yoke		
LBS-209	Pinion		
LBS-213-S	Shift Yoke Shaft, Incl:		
LBS-214	Handle		
SP-2424	#0X1 Tapered Pin		
LBS-215	Spacing Collar		
LBS-216-R	Gear & Shaft (Matched), Incl:		
LBS-217	Key		
SP-5353	Bearing		
LBS-219	Coil Spring		
LBS-220	Set Collar, Incl:		
SP-201	5/16-18 x 5/16" Set Scr.		
<b>METAL CUTTING BASE PARTS FOR BAND SAWS STARTING WITH SER. NO. BK-3605 UP TO BUT NOT INCLUDING SER. NO. BU-8780.</b>			
LBS-6	Base		
LBS-86	Bearing Nut		
LBS-205	Gasket		
LBS-222	1 1/2" Expansion Plug		
LBS-266	Drive Gear		
LBS-268	Drive Shaft		
LBS-269	Sleeve		
LBS-272-S	Intermediate Gear Assy.		
LBS-274	Cover		
LBS-275	Body		
LBS-276	Clutch		
LBS-277-S	Drive Pulley		
LBS-278	Clutch		
LBS-280	Cap		
LBS-281	Coil Spring		
LBS-304-S	Lower Wheel, Incl:		
LBS-81	Tire		
SBS-8	1/4 x 3/4" Dowel Pin		
SP-29	3/16" Steel Ball		
SP-201	5/16-18 x 5/16" Hex. Soc. Set Scr.		
SP-233	1/4-20 x 3/8" Hex. Soc. Set Scr.		
SP-559	#10-32 x 1/2" Rd. Hd. Scr.		
SP-626	1/4-20 x 3/4" Hex. Hd. Scr.		
SP-2437	1/2" Pipe Plug		
SP-2438	1/8" Pipe Plug Hex. Soc. Hd.		
SP-2603	Key		
SP-2604	Key		
SP-2651	3/16 x 3/16 x 2 1/8" Key		
SP-2655	3/16 x 3/16 x 1/8" Key		
SP-3545	1/2 x 1/2 x 90° Street Elbow		
SP-5253	Garlock Packing		
SP-5338	Bearing		
SP-5374	Bearing		
SP-5375	Bearing		
SP-7036	Tru-Arc Ring		
SP-7047	Retaining Ring		
SP-7351	Spring		
SP-7353	Spring		
SP-7354	Spring		
Cat. #720C	Pulley, Incl:		
SP-201	5/16-18 x 5/16" Set Scr.		