



SERVICE PARTS LIST

BUL. 54-47-0100

REVISED BUL. DATE
APRIL '79

Catalog No.

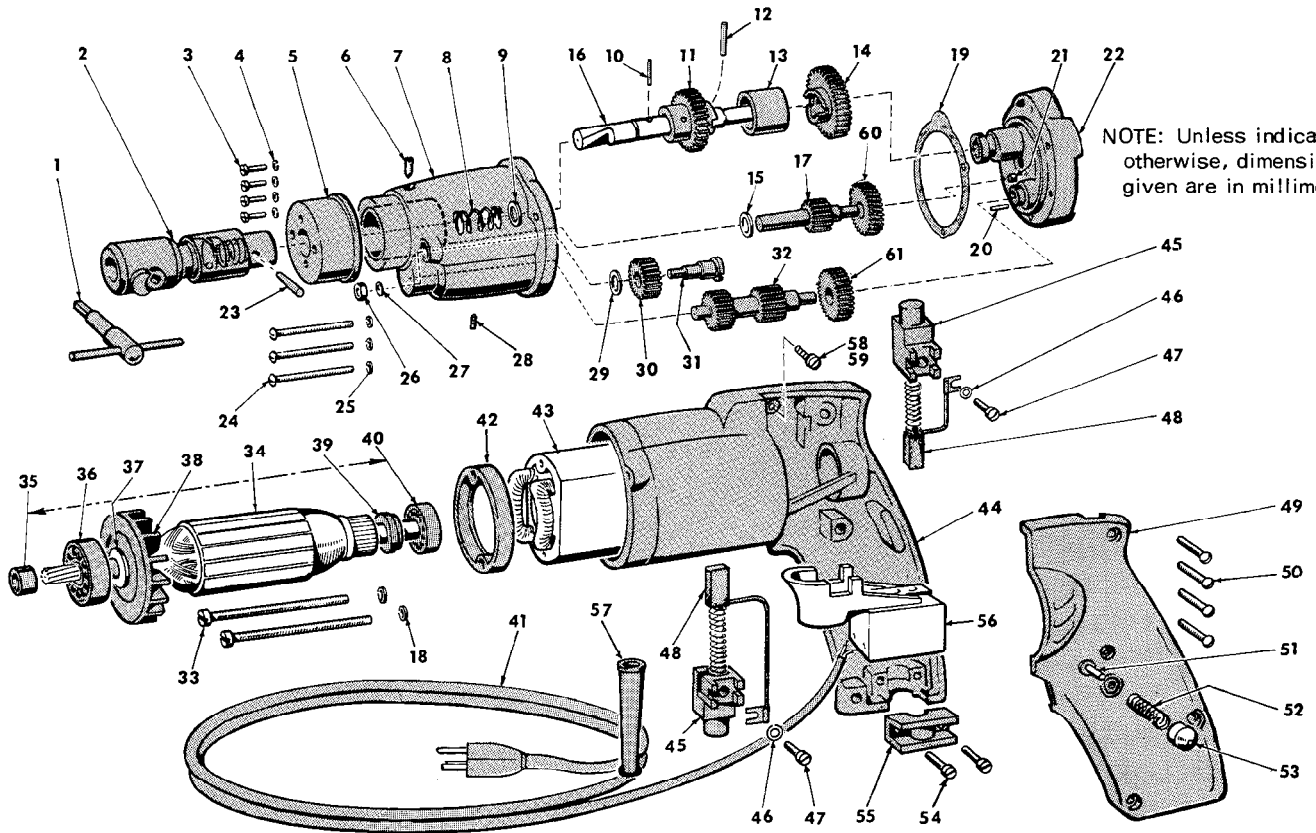
8600

TAPPER

Starting Serial No. 440-1001

WIRING INSTRUCTIONS
58-01-0710

Specify Catalog and Serial No. when ordering parts



NOTE: Unless indicated otherwise, dimensions given are in millimeters

FIG.	PART NO.	DESCRIPTION OF PART	NO. REQ.	FIG.	PART NO.	DESCRIPTION OF PART	NO. REQ.
1	48-66-6740	Chuck Key	1	34	16-12-0020	110 Volt Armature (Includes Figs. 35 thru 40)	1
2	48-66-1500	Chuck (Incl. Figs. No. 1 & 23)	1	35	45-06-0180	Hub Seal	1
3	05-81-0310	Pan Hd. Screw	4	36	02-04-1025	Ball Bearing	1
4	05-90-0003	Lock Washer 3	4	37	45-88-7250	Armature Washer	1
5	42-92-0295	Front Cover	1	38	-	Fan	1
6	05-89-0015	Set Screw 4x8	1	39	31-86-0145	Insulating Disc	1
7	28-14-1370	Gear Case with Bushing	1	40	02-04-0705	Ball Bearing	1
8	40-50-0075	Spindle Spring	1	41	22-64-0665	Cord Set	1
9	45-88-7255	Spindle Washer	1	42	31-05-0035	Air Deflector Baffle	1
10	06-65-0635	Roll Pin	1	43	18-12-0020	110 Volt Field	1
11	32-10-0140	Left Rotation Gear	1	44	28-50-6155	Motor Housing	1
12	44-60-0420	Carrier Pin	1	45	22-20-0260	Brush Holder	2
13	42-40-0465	Spacer Bushing	1	46	05-93-0035	Lock Washer 3.5	2
14	32-10-0145	Right Rotation Gear	1	47	05-89-3505	Pan Hd. Screw 3.5x5	2
15	45-88-7265	Gear Holding Washer	1	48	22-18-0490	Carbon Brush	2
16	38-50-5065	Spindle	1	49	31-44-0315	Handle Cover	1
17	36-66-4130	Intermediate Shaft	1	50	05-81-0418	Pan Hd. Screw 4x18	4
18	05-90-0003	Lock Washer 3	2	51	44-60-0445	Locking Pin	1
19	43-44-0410	Gear Case Gasket	1	52	40-50-0070	Push Button Spring	1
20	44-60-0425	Cylindrical Pin	1	53	42-42-0130	Push Button	1
21	44-60-0430	Thrust Pin	1	54	05-81-0412	Pan Hd. Screw 4x12	2
22	28-28-1475	Diaphragm with Bushing	1	55	31-17-0055	Cord Clamp	1
23	48-86-0110	Drift Pin	1	56	23-66-0905	Switch	1
24	05-83-0435	Round Hd. Screw 4x35	3	57	23-82-0260	Cord Entry Sleeve	1
25	05-90-0104	Lock Washer 4	3	58	05-89-0030	Pan Hd. Ground Screw 3.5x5	1
26	05-55-0106	Hex Nut 6	1	59	06-97-1800	Lock Washer	1
27	05-90-0006	Spring Washer 6	1	60	32-40-1665	Intermediate Gear	1
28	05-89-0020	Set Screw 4x8	1	61	32-40-1655	Intermediate Gear	1
29	45-88-7260	Pinion Shaft Washer	1			NOT SHOWN	
30	32-40-1670	Intermediate Gear	1	12-98-7095	Nameplate		1
31	36-66-4110	Pinion Shaft	1	12-98-7081	Caution Plate		1
32	36-66-4120	Intermediate Shaft	1	49-11-0070	Depth Gauge		1
33	05-81-0350	Pan Hd. Screw 3x50	2	05-82-0307	Switch Screw 3x7		4