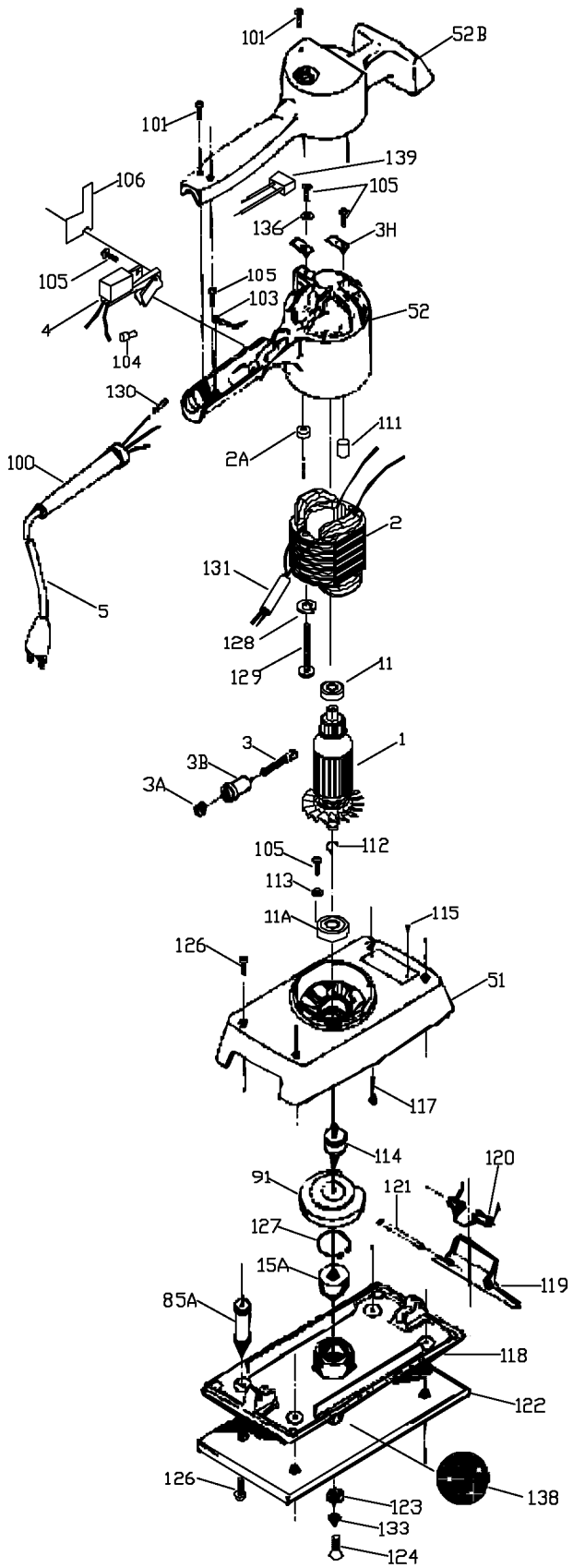


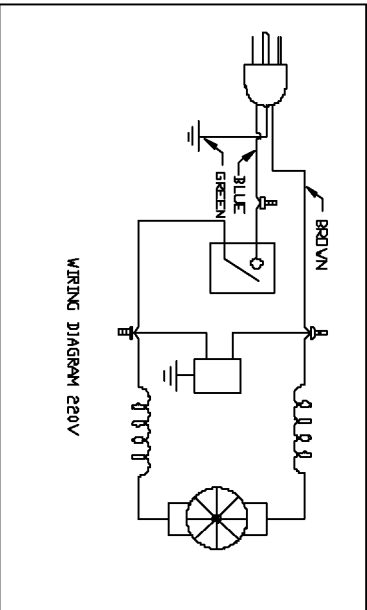
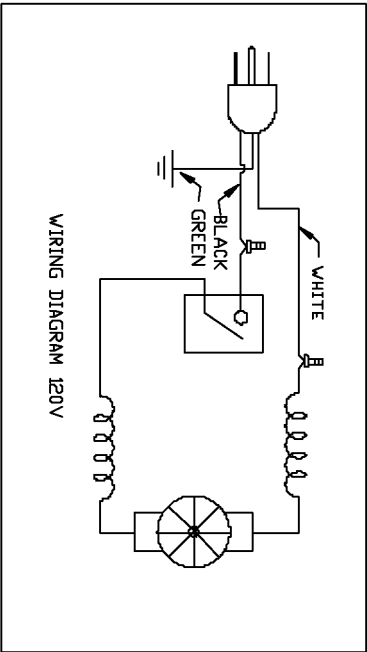
# PORTER-CABLE FINISHING SANDER

attempted by trained repairmen. Contact the nearest Porter-Cable Service Center or other competent repair center

505H  
8505



WIRING DIAGRAM



### Parts List for 8505 Type 3

| Item Number | Part Number | Description       | Qty Required |
|-------------|-------------|-------------------|--------------|
| 1           | 873129      | ARMATURE          | 1            |
| 1           | 693920      | ARMATURE          | 1            |
| 2           | 904264      | SS/A-FIELD        | 1            |
| 2           | 693921      | FIELD             | 1            |
| 3           | N031653     | BRUSH             | 2            |
| 3           | 904094      | BRUSH             | 2            |
| 3           | 823727      | CAP               | 1            |
| 3           | 844089      | BRUSH HOLDER      | 2            |
| 3           | 801271      | CLIP              | 1            |
| 4           | 802441      | SWITCH            | 1            |
| 5           | 879182      | CORD              | 1            |
| 5           | 879758      | CORD-EURO         | 1            |
| 11          | 855284      | BEARING           | 3            |
| 11          | 681552SV    | BALL BEARING      | 3            |
| 15          | 330003-13   | BEARING,BALL      | 3            |
| 51          | 685981      | BASE              | 1            |
| 51          | 685981      | BASE              | 1            |
| 52          | 693914      | MOTOR HOUSING     | 1            |
| 52          | 693914      | MOTOR HOUSING     | 1            |
| 52          | 693914      | MOTOR HOUSING     | 1            |
| 52          | 683202      | CAP               | 1            |
| 52          | 683202      | CAP               | 1            |
| 52          | 685979      | MOTOR HOUSING CAP | 1            |
| 85          | 912595      | POST              | 1            |
| 91          | 874574      | COUNTERWEIGHT     | 1            |
| 100         | 838270      | SLEEVE            | 1            |
| 101         | 878813      | SCREW             | 10           |

### Parts List for 8505 Type 3

| Item Number | Part Number | Description     | Qty Required |
|-------------|-------------|-----------------|--------------|
| 103         | 849314      | TERM            | 1            |
| 104         | 682063      | CONNECTOR VS    | 1            |
| 105         | 882187      | SCREW           | 10           |
| 106         | 844684      | GUARD           | 1            |
| 111         | 842597      | PLUG            | 1            |
| 112         | 853455      | RING            | 10           |
| 113         | 800471      | WASHER          | 10           |
| 114         | 844414      | COUPLING        | 1            |
| 115         | 801374      | SCREW           | 10           |
| 117         | 844644      | SCREW           | 10           |
| 118         | 846457SV    | PAD             | 1            |
| 119         | 844094      | CLAMP           | 1            |
| 120         | 844095      | SPRING          | 10           |
| 121         | 691862      | PIN             | 1            |
| 122         | 13598       | STIK-IT PAD 505 | 1            |
| 122         | 895035      | PAD ASSEMBLY    | 1            |
| 122         | 846456      | FELT PAD        | 1            |
| 123         | 681898      | WASHER          | 10           |
| 124         | 845974      | SCREW           | 10           |
| 126         | 684881      | SCREW           | 10           |
| 126         | 681637      | SCREW           | 10           |
| 127         | 802426      | RING            | 10           |
| 129         | 681260      | SCREW & WASHER  | 10           |
| 129         | 853480      | SCREW           | 10           |
| 130         | 802303      | CONNECTOR       | 1            |
| 131         | 879363      | SLEEVING        | 1            |
| 133         | 841851      | WASHER          | 10           |

### Parts List for 8505 Type 3

| Item Number | Part Number | Description         | Qty Required |
|-------------|-------------|---------------------|--------------|
| 136         | 802995      | WASHER              | 10           |
| 138         | 000000-00   | No Longer Available | 1            |
| 139         | 903653      | FILTER              | 1            |
| 140         | 903652      | CAPACITOR           | 1            |
| 141         | 855628      | LEAD                | 1            |