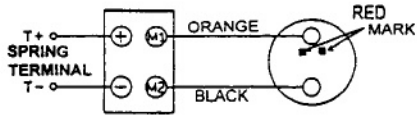




CORDLESS  
PERCUSSION-DRIVER DRILL

Model 8433D  
Model 8433DWDE

Wiring Diagram



**IMPORTANT** — To assure product **SAFETY** and **RELIABILITY**, repairs, maintenance or adjustments should be performed by **MAKITA** Service Centers or other qualified service organizations. Always use **MAKITA** replacement parts.

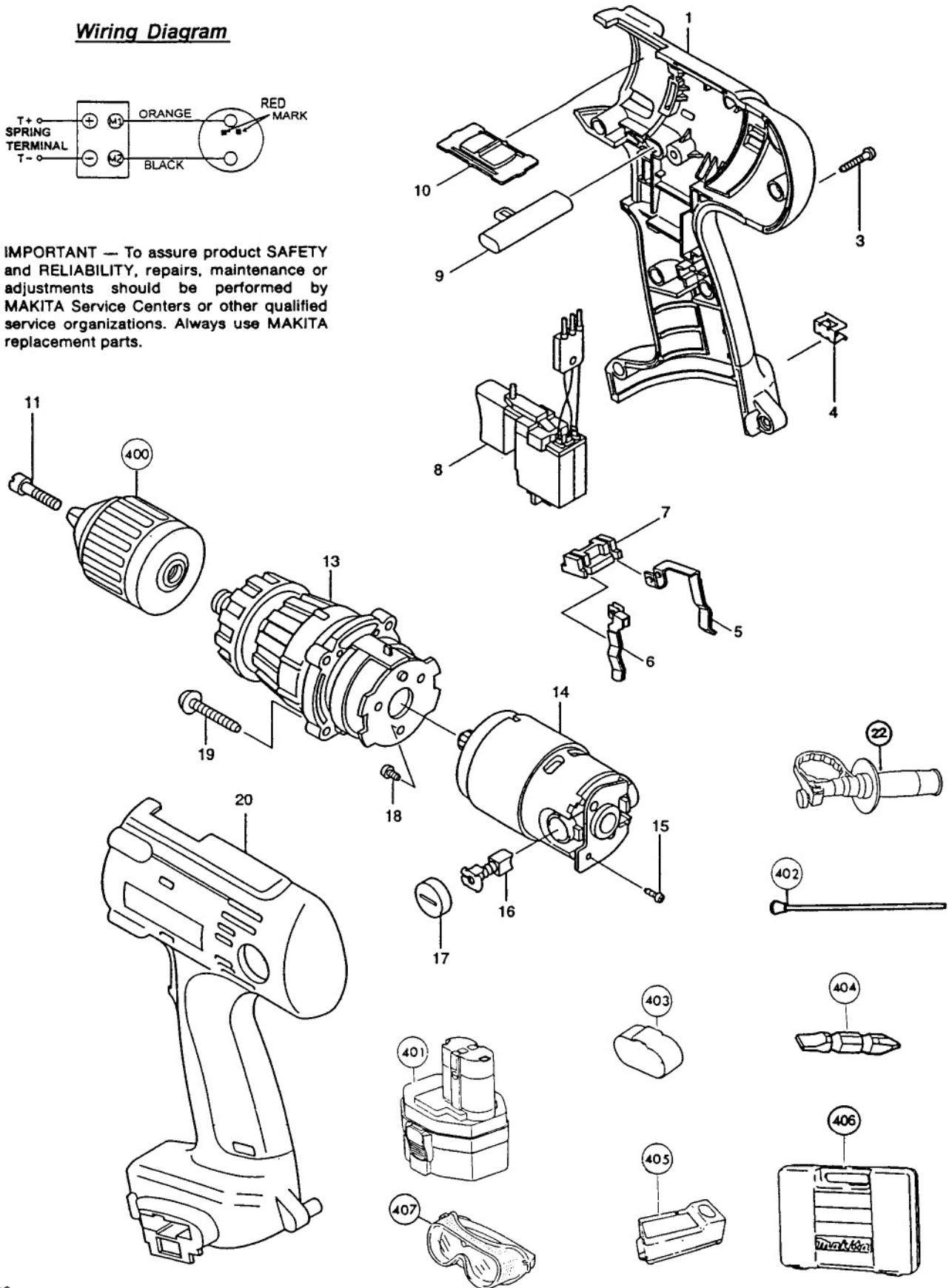


Fig.	Part No.	Qty. Used	Description	Fig.	Part No.	Qty. Used	Description
1	183203-2	1	HOUSING SET (Incl. Fig. 20)	16	191971-3	1	CARBON BRUSH CB-430 Set
3	266130-9	8	T. SCREW BIND PT 3x16	17	643929-3	2	HOLDER CAP
4	344391-2	2	BIT HOLDER	18	266134-1	3	TAPPING SCREW ST 4x8
5	654168-0	1	SPRING TERMINAL (+)	19	265999-8	4	TAPPING SCREW 4x25
6	654169-8	1	SPRING TERMINAL (-)	20	183203-2	1	HOUSING SET (Incl. Fig. 1)
7	687085-9	1	HOLDER	22	122575-0	1	GRIP ASS'Y
8	651939-6	1	SWITCH C3LA-1A	<b>ACCESSORIES</b>			
9	416079-5	1	F/R CHANGE LEVER				
10	125091-1	1	SPEED CHANGE LEVER ASS'Y	400	193065-0	1	KEYLESS DRILL CHUCK 13
11	251465-1	1	(-)F.H. SCREW M6x32	401	193158-3	2	NIMH BATTERY 1434 14.4V
13	125099-5	1	GEAR ASS'Y (Incl. 416629-6 Change Lever)	402	122576-8	1	STOPPER POLE
14	629734-2	1	DC MOTOR 14.4V (Incl. 226361-2 Spur Gear 20, & Fig. 16, 17)	403	414938-7	2	BATTERY COVER
15	911006-2	1	P.H. SCREW M3x8	404	784614-0	2	PHILLIPS/SLOTTED BIT 2-45
				405	DC1411	1	FAST CHARGER
				406	824546-0	1	PLASTIC CARRYING CASE
				407	191686-2	1	SAFETY GOGGLES

2 Model 8433D  
Model 8433DWDE

03-00