

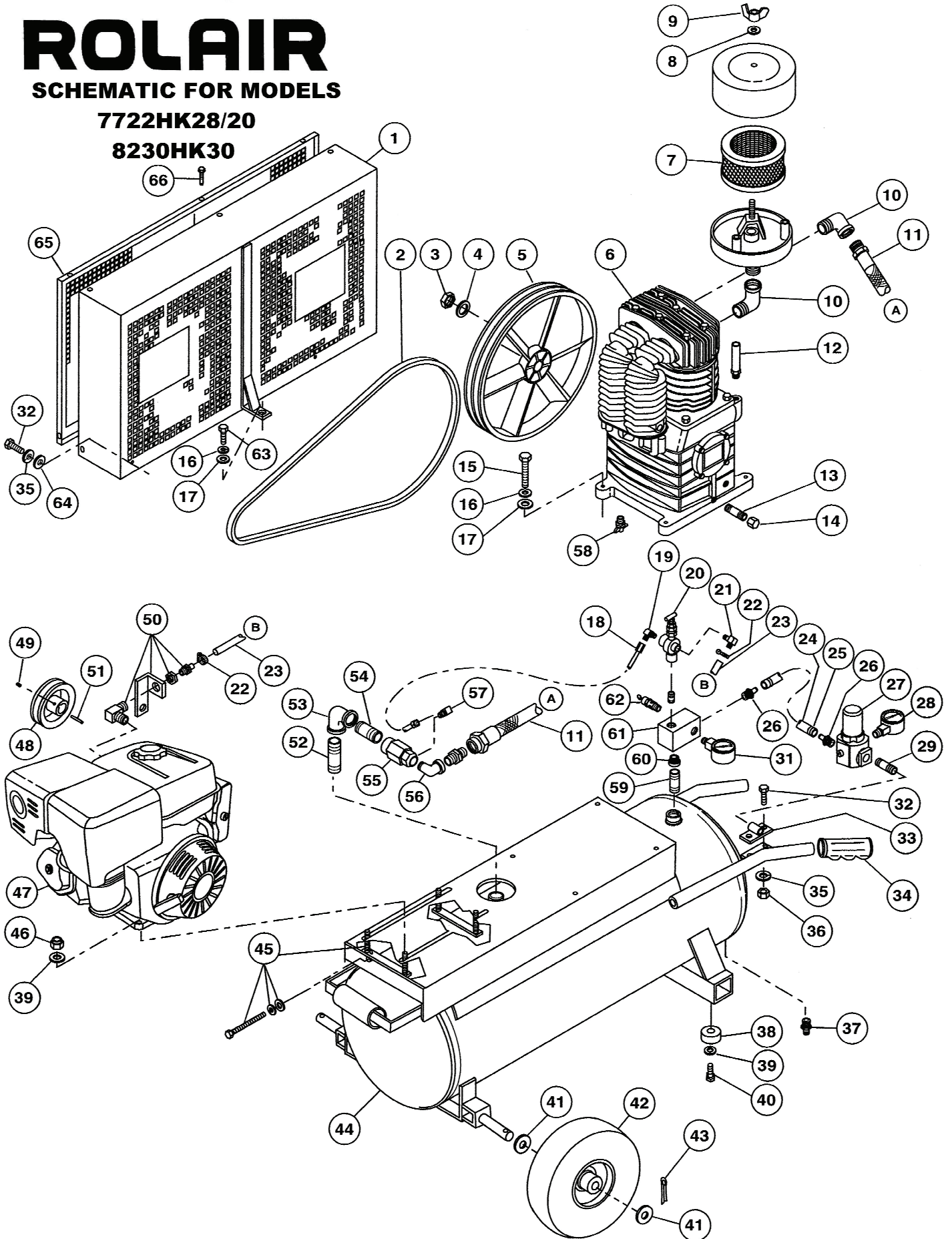


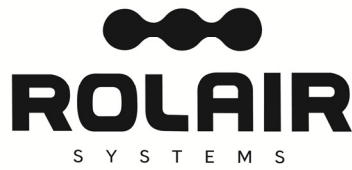
ROLAIR

SCHEMATIC FOR MODELS

7722HK28/20

8230HK30





**PARTS LIST FOR MODELS
7722HK28/20
8230HK30**

Schem. #	Description	Part #	Qty.	Schem. #	Description	Part #	Qty.
1	Belt-Guard Assembly	BG8422K30ASSY	1	29	Nipple	BLNP0375X1500	1
2	Belt	BTA63	2	31	Gauge	GA0250300GC	1
3	Nut	37403780CH	1	32	Bolt	MIS10022	4
4	Washer	37502450CH	1	33	Accessory Bracket	210	1
5	Flywheel – MDL 7722HK28/20	31004320CH	1	34	Handle Grip	328	2
	Flywheel – MDL 8230HK30	31003040CH	1	35	Lock Washer	MIS10099	4
6	II Stage Pump with Flywheel-MDL 7722HK28/20	PMP22K28CH	1	36	Nut	MIS10020	2
	II Stage Pump less Flywheel-MDL 7722HK28/20	PMP22K28CHLF	1	37	Drain Valve	132B	1
	II Stage Pump w/ Flywheel-MDL 8230HK30	PMP22K30CH	1	38	Rubber Foot	219	4
	II Stage Pump w/ Flywheel-MDL 8230HK30	PMP22K30CHLF	1	39	Washer	MIS10102	8
7	Filter Element	431	1	40	Screw	MIS10008	4
				41	Washer	MIS10104	6
8	Washer	FSWASHER	1	42	Foam-Filled Flat-Free Tire	WLS50	2
9	Wing Nut	FSNUT	1	43	Cotter Pin	181B	2
10	Elbow	BLEL0750X90S	2	44	20 Gallon Tank Assembly– ASME	SPECIFY MODEL	1
11	Braided Discharge Tube	145C	1	45	Belt Tightener / Mounting Kit	SBT8HPH0&KAK30-	1
12	3/8" Breathe/Oil Fill Plug	36507050CH	1	46	Lock Nut	MIS10020B	4
13	Nipple	BLNP0250X1500	1	47	Honda Engine	ENG09H01	1
14	Cap	BLCA0250	1		Std Oil Drain Extension Elbow	BREL0250X90	1
15	Bolt-MDL 7722HK28/20 (7722HK28/20 pump mount bolts not shown)	MIS10043	1		Nipple	BLNP0250X5000	1
					Cap	BLCA0250	1
					Optional Flexible Oil Drain Assy	HDE8	1
16	Lock Washer	MIS10100	8	48	Engine Pulley-MDL 7722HK28/20	PU2AK54X1000	1
				49	Engine Pulley-MDL 8230HK30	PU2AK46X1000	1
17	Washer	MIS10103	8	50	Setscrew	MIS10020C	1
				51	Throttle Control Assembly	192EGX240QA	1
				52	1/4" Keystock	MIS10096C	1
				53	Nipple-MDL 7722HK28/20	BLNP0500X2000	1
18	1/4" Nylon Tubing – 30"	178D	2.5'	54	Nipple-MDL 8230HK30	BLNP0500X4000	1
				55	Elbow	BLEL0500X90	1
				56	Nipple	BLNP0500X2000	1
				57	Check Valve	CV4X4L1	1
19	Brass Elbow	BRELO250X025039	1	58	Elbow	BRELO500X90S	1
20	Pilot Unloader Valve	131BIG	1	59	Brass Elbow	BRELO250X012539	1
21	Brass Elbow	BRELO250X0125H16	1	60	Drain Valve	132	1
22	Hose Clamp	177B	2	61	Nipple	BLNP0375X2500	1
23	1/4" Rubber Hose – 30"	178	2.5'	62	Bushing	BLBS0500X0375	1
24	3/8" Rubber Hose – 12"	178A	1'	63	Aluminum Block Manifold	154	1
25	Hose Clamp	177A	2	64	Safety Relief Valve	SRV0250A175	1
26	Brass Coupler	BRCP0375X0375H12	2	65	Bolt	MIS10041	1
27	Regulator	REG0375	1	66	Washer	MIS10108	2
28	Gauge	GA0250200GC	1	65	Belt-Guard Cover	BG8423	1
				66	Bolt	MIS10094	5

For units built prior to February 2005, order SBT8HPH0 & KAK30-SQUARE.

