

Parts List: Band Saw Assembly (8020FW only)

(refer to breakdowns on pages 47-48)

| Index No. | Part No. | Description | Size | Qty |
|-----------|--------------|---------------------------------|-----------------|-----|
| 1 | VBS2012-0500 | Gear Box | | 1 |
| 2 | TS-0209091 | Socket Head Cap Screw | 3/8-16 x 2" | 4 |
| 3 | TS-0720091 | Lock Washer | 3/8" | 4 |
| 4 | TS-0680042 | Flat Washer | 3/8" | 4 |
| 5 | TS-0271091 | Socket Set Screw | 3/8-16 x 1" | 4 |
| 6 | 8020FW-16 | Oil Seal | Φ40xΦ30x7mm | 1 |
| 7 | 8020FW-17 | Oil Seal | Φ52xΦ30x7mm | 1 |
| 8 | VBS2012-0510 | Gear Box Cover | | 1 |
| 9 | TS-0050011 | Hex Cap Screw | 1/4-20 x 1/2" | 4 |
| 10 | TS-0720071 | Lock Washer | 1/4" | 4 |
| 11 | TS-0680021 | Flat Washer | 1/4" | 4 |
| 12 | VBS2012-0520 | Gear | | 1 |
| 13 | VBS2012-0530 | Screw Nut | | 1 |
| 14 | VBS2012-0540 | Gear | | 1 |
| 15 | VBS2012-0550 | Gear Shaft | | 1 |
| 16 | 8020FW-116 | Key | 1/4 x 5/8" | 2 |
| 17 | VBS2012-0560 | Shaft Cover | | 1 |
| 18 | TS-0207121 | Socket Head Cap Screw | 1/4-20 x 2 1/2" | 3 |
| 19 | VBS2012-0570 | Gear | | 1 |
| 20 | VBS2012-0581 | Main Shaft | | 1 |
| 21 | TS-1502071 | Socket Head Cap Screw | 5 x 30mm | 2 |
| 22 | 8020FW-122 | Key | 10 x 90mm | 1 |
| 23 | VBS2012-0591 | Main Shaft Cover | | 1 |
| 24 | TS-0207021 | Socket Head Cap Screw | 1/4-20 x 1/2" | 3 |
| 25 | VBS2012-0600 | Speed Changing Shaft | | 1 |
| 26 | VBS2012-0610 | Speed Changing Arm | | 1 |
| 27 | TS-0207041 | Socket Head Cap Screw | 1/4-20 x 3/4" | 2 |
| 28 | TS-0561011 | Hex Nut | 1/4-20 | 2 |
| 29 | VBS2012-0611 | Shaft Stop | | 1 |
| 30 | TS-0207041 | Socket Head Cap Screw | 1/4-20 x 3/4" | 1 |
| 31 | TS-0561011 | Hex Nut | 1/4-20 | 1 |
| 32 | TS-0270111 | Socket Set Screw | 5/16-18 x 1/2" | 1 |
| 33 | VBS2012-0612 | Spring | | 1 |
| 34 | VBS2012-0620 | Slide Block | | 1 |
| 35 | VBS2012-0700 | Speed Changing Lever | | 1 |
| 36 | VBS2012-0740 | Shaft Housing | | 1 |
| 37 | TS-0209022 | Socket Head Cap Screw | 3/16-24 x 5/8" | 3 |
| 38 | VBS2012-0790 | Speed Lever Ring | | 1 |
| 39 | TS-0209031 | Socket Head Cap Screw | 3/8-16 x 3/4" | 1 |
| 40 | 8020FW-140 | Pulley | | 1 |
| 41 | TS-0209051 | Socket Head Cap Screw | 3/8-16 x 1" | 1 |
| 42 | 8020FW-142 | Oil Seal | Φ52xΦ25x7mm | 1 |
| 43 | VBS2012-9220 | Speed Lever Knob | | 1 |
| 44 | 8020FW-144 | V-Belt, 7072+7300 | | 2 |
| 45 | 8020FW-145 | Ball Bearing | | 3 |
| 46 | 8020FW-146 | Ball Bearing | | 1 |
| 47 | 8020FW-147 | Ball Bearing | | 1 |
| 48 | VBS2012-1010 | Work Table | | 1 |
| 49 | 8020FW-149 | Table Support Frame | | 1 |
| 50 | TS-1533032 | Phillips Pan Head Machine Screw | 5 x 8mm | 2 |
| 51 | TS-1551031 | Lock Washer | 5mm | 2 |
| 52 | 8020FW-152 | Rivet | 2mm | 4 |
| 53 | 8020FW-153 | Right Table Bracket | | 1 |
| 54 | TS-0060091 | Hex Cap Screw | 3/8-16 x 2" | 2 |
| 55 | TS-0720091 | Lock Washer | 3/8" | 2 |

| | | | | |
|-----|--------------|---------------------------------|-----------------|---|
| 56 | TS-0680042 | Flat Washer | 3/8" | 2 |
| 57 | 8020FW-157 | Left Table Bracket | | 1 |
| 58 | TS-0060091 | Hex Cap Screw | 3/8-16 x 2" | 2 |
| 59 | TS-0720091 | Lock Washer | 3/8" | 2 |
| 60 | TS-0680042 | Flat Washer | 3/8" | 2 |
| 61 | 8020FW-161 | Washer | | 2 |
| 62 | 8020FW-162 | Socket Head Cap Screw | 1/2-12 x 2 1/2" | 2 |
| 63 | VBS2012-1070 | Tube Screw | | 4 |
| 64 | TS-0060091 | Socket Head Cap Screw | 3/8-16 x 2" | 4 |
| 65 | VBS2012-1080 | Blade Guard | | 2 |
| 66 | TS-1503021 | Socket Head Cap Screw | 6 x 10mm | 2 |
| 67 | TS-1551041 | Lock Washer | 6 mm | 2 |
| 68 | 8020FW-168 | Table Support Housing | | 1 |
| 69 | TS-0060061 | Socket Head Cap Screw | 3/8-16 x 1 1/4" | 3 |
| 70 | TS-0680042 | Flat Washer | 3/8" | 3 |
| 71 | TS-0720091 | Lock Washer | 3/8" | 3 |
| 72 | TS-0570031 | Hex Nut | 3/8-16 | 3 |
| 73 | 8020FW-173 | Guide Support Housing | | 1 |
| 74 | TS-0051051 | Socket Head Cap Screw | 5/16-18 x 1" | 2 |
| 75 | TS-0720081 | Lock Washer | 5/16" | 2 |
| 76 | TS-0680031 | Flat Washer | 5/16" | 2 |
| 77 | VBS2012-1550 | Rip Fence | | 1 |
| 78 | 8020FW-178 | Tilt Indicator, L&R | | 1 |
| 79 | VBS2012-8771 | Tilt Indicator, F&B | | 1 |
| 80 | VBS2012-9700 | Indicator Needle | | 2 |
| 81 | 8020FW-181 | Upper Blade Guide Support | | 1 |
| 82 | 8020FW-182 | Lower Blade Guide Support | | 1 |
| 83 | VBS2012-1320 | Blade Guide | | 4 |
| 84 | TS-1503061 | Socket Head Cap Screw | 6 x 25mm | 4 |
| 85 | TS-1551041 | Lock Washer | 6mm | 4 |
| 86 | TS-1550041 | Flat Washer | 6mm | 4 |
| 87 | 8020FW-187 | Long Blade Stopper | | 1 |
| 88 | 8020FW-188 | Short Blade Stopper | | 1 |
| 89 | VBS2012-1333 | Eccentric Shaft | | 1 |
| 90 | TS-0720091 | Lock Washer | 3/8" | 1 |
| 91 | TS-0570031 | Hex Nut | 3/8-16 | 1 |
| 92 | VBS2012-1350 | Blade Guide Post | | 1 |
| 93 | TS-1503041 | Socket Head Cap Screw | 6 x 16mm | 2 |
| 94 | VBS2012-1351 | Gear Bar | | 1 |
| 95 | 6710015 | Socket Head Cap Screw | 3/16-24 x 1/2" | 3 |
| 96 | VBS2012-1360 | Guide Post Housing | | 1 |
| 97 | TS-1524041 | Socket Set Screw | 8 x 16mm | 4 |
| 98 | TS-0209061 | Socket Head Cap Screw | 3/8-16 x 1 1/4" | 4 |
| 99 | TS-0720091 | Lock Washer | 3/8" | 4 |
| 100 | TS-0680042 | Flat Washer | 3/8" | 4 |
| 101 | VBS2012-1370 | Left Blade Guard | | 1 |
| 102 | TS-1533032 | Phillips Pan Head Machine Screw | 5 x 10mm | 2 |
| 103 | TS-1551031 | Lock Washer | 5mm | 2 |
| 104 | TS-1550031 | Flat Washer | 5mm | 2 |
| 105 | VBS2012-1380 | Right Blade Guard | | 1 |
| 106 | TS-1503041 | Socket Head Cap Screw | 6 x 16mm | 2 |
| 107 | TS-1551041 | Lock Washer | 6mm | 2 |
| 108 | TS-1550041 | Flat Washer | 6mm | 2 |
| 109 | VBS2012-1400 | Spring | | 2 |
| 110 | VBS2012-1410 | Spring Housing | | 1 |
| 111 | TS-0207071 | Socket Head Cap Screw | 1/4-20 x 1 1/4" | 2 |
| 112 | 8020FW-1112 | Post Housing Spring | | 1 |
| 113 | VBS2012-1450 | Post Elevating Gear | | 1 |
| 114 | TS-1550071 | Flat Washer | 10mm | 1 |
| 115 | TS-1540071 | Hex Nut | 10mm | 2 |

| | | | | |
|-----|---------------|--------------------------|------------------|---|
| 116 | VBS2012-9015 | Guide Post Lock | | 1 |
| 117 | VBS2012-9033 | Post Elevating Handwheel | | 1 |
| 118 | TS-0270111 | Socket Set Screw | 5/16-18 x 1/2" | 1 |
| 119 | 8020FW-1119 | Handle Knob | | 1 |
| 120 | VBS2012-G6201 | Ball Bearing | | 1 |
| 121 | VBS2012-2000 | Main Drive Motor | | 1 |
| 122 | TS-0051051 | Hex Cap Screw | 5/16-18 x 1" | 4 |
| 123 | TS-0720081 | Lock Washer | 5/16" | 4 |
| 124 | TS-0680031 | Flat Washer | 5/16" | 4 |
| 125 | VBS2012-2010 | Motor Pulley | | 1 |
| 126 | TS-0208061 | Socket Head Cap Screw | 5/16-18 x 1 1/4" | 1 |
| 127 | VBS2012-2020 | Motor Suspension Arm | | 2 |
| 128 | TS-0051021 | Hex Cap Screw | 5/16-18 x 5/8" | 4 |
| 129 | TS-0720081 | Lock Washer | 5/16" | 4 |
| 130 | TS-0680031 | Flat Washer | 5/16" | 4 |
| 131 | 8020FW-1131 | V-Belt, 2010+7070 | | 2 |
| 132 | 8020FW-1132 | V-Belt, 2010+4040 | | 1 |
| 133 | 8020FW-1133 | Lower Wheel | | 1 |
| 134 | 8020FW-1134 | Rubber Tire | | 2 |
| 135 | VBS2012-3030 | Taper Sleeve | | 1 |
| 136 | VBS2012-3040 | Wheel Lock Nut | | 1 |
| 137 | 8020FW-1137 | Upper Wheel | | 1 |
| 138 | VBS2012-3060 | Upper Wheel Locker | | 2 |
| 139 | VBS2012-3070 | Upper Wheel Nut | | 1 |
| 140 | VBS2012-3080 | Slide Block Housing | | 1 |
| 141 | TS-0209051 | Socket Head Cap Screw | 3/8-16 x 1" | 4 |
| 142 | TS-0720091 | Lock Washer | 3/8" | 4 |
| 143 | TS-0680042 | Flat Washer | 3/8" | 4 |
| 144 | VBS2012-3090 | Slide Block Seat | | 1 |
| 145 | TS-0209051 | Socket Head Cap Screw | 3/8-16 x 1" | 2 |
| 146 | TS-0720091 | Lock Washer | 3/8" | 2 |
| 147 | VBS2012-3100 | Slide Block Guides | | 2 |
| 148 | TS-0209071 | Socket Head Cap Screw | 3/8-16 x 1 1/2" | 4 |
| 149 | TS-0720091 | Lock Washer | 3/8" | 4 |
| 150 | VBS2012-3110 | Upper Wheel Slider | | 1 |
| 151 | TS-0267041 | Socket Set Screw | 1/4-20 x 3/8" | 1 |
| 152 | VBS2012-3111 | Slider Cover | | 1 |
| 153 | TS-0267041 | Socket Set Screw | 1/4-20 x 3/8" | 1 |
| 154 | VBS2012-3112 | Slider Screw Shaft | | 1 |
| 155 | VBS2012-3113 | Slider Pin | | 1 |
| 156 | VBS2012-3120 | Wheel Elevating Shaft | | 1 |
| 157 | VBS2012-3121 | Spring | | 1 |
| 158 | VBS2012-3150 | Washer | | 1 |
| 159 | VBS2012-3180 | Indicator Ring | | 3 |
| 160 | TS-0267041 | Socket Set Screw | 1/4-20 x 3/8" | 2 |
| 161 | VBS2012-3190 | Tension Indicator | | 1 |
| 162 | VBS2012-3200 | Wheel Tracking Adjuster | | 1 |
| 163 | VBS2012-3220 | Wheel Tilt Connector | | 1 |
| 164 | VBS2012-3240 | Connector Washer | | 1 |
| 165 | VBS2012-3250 | Connector Housing | | 1 |
| 166 | TS-1504041 | Socket Head Cap Screw | 8 x 20mm | 3 |
| 167 | VBS2012-8712 | Instructor Plate | | 1 |
| 168 | VBS2012-9030 | Handwheel | | 1 |
| 169 | TS-0208031 | Socket Set Screw | 5/16-18 x 5/8" | 1 |
| 170 | VBS2012-9060 | Tilt Adjust Handwheel | | 1 |
| 171 | 8020FW-1171 | Chip Stop | | 1 |
| 172 | 8020FW-1172 | Pan Head Bolt | 8 x 12mm | 2 |
| 173 | VBS2012-9780 | Brush Bracket | | 1 |
| 174 | 8020FW-1174 | Pan Head Bolt | 8 x 12mm | 1 |
| 175 | TS-1551061 | Lock Washer | 8mm | 1 |

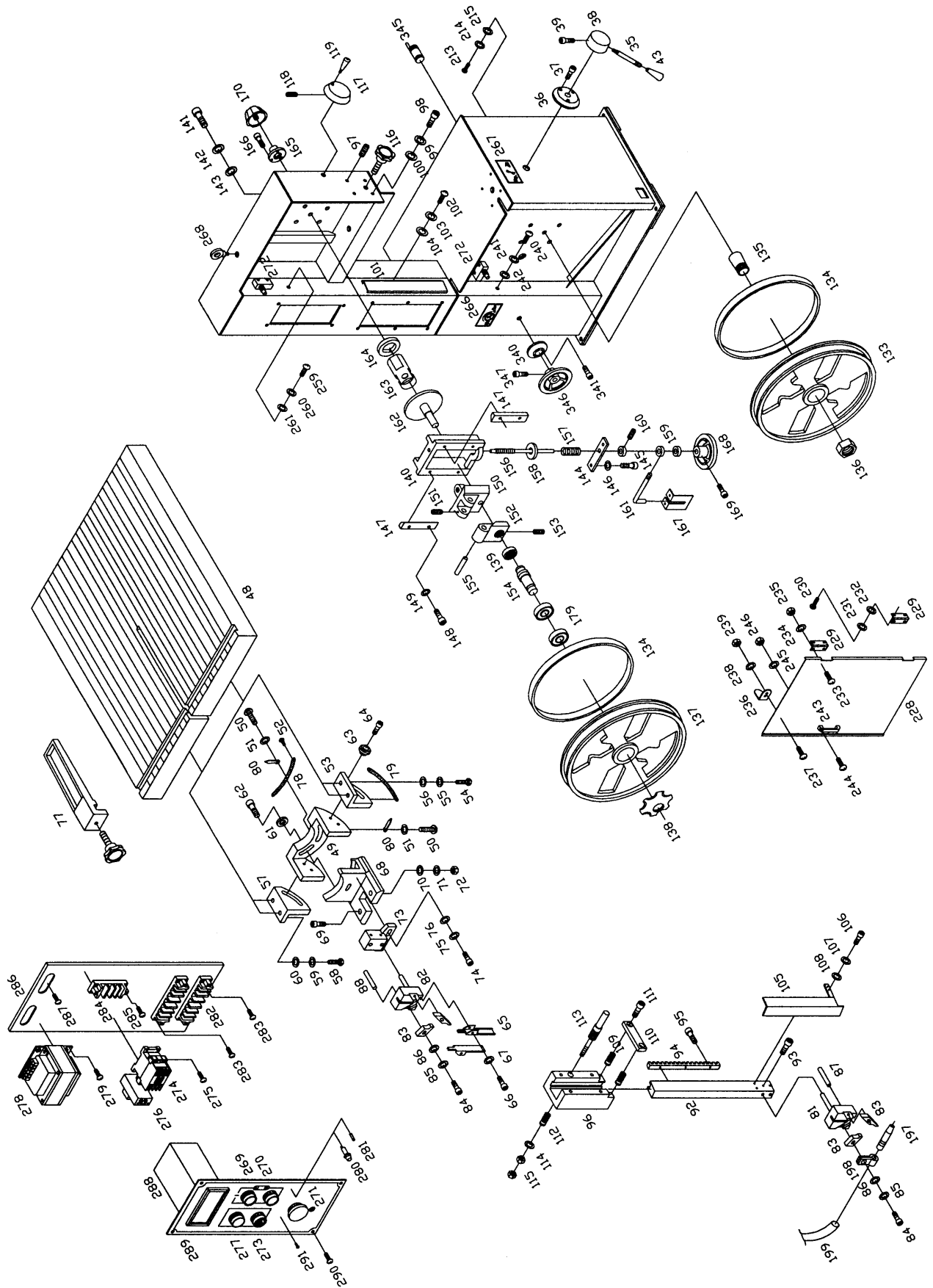
| | | | | |
|-----|---------------|---------------------------------|----------------|---|
| 176 | VBS2012-9790 | Chip Stopper | | 1 |
| 177 | TS-0050031 | Hex Cap Screw | 1/4-20 x 3/4" | 1 |
| 178 | TS-0680021 | Flat Washer | 1/4" | 1 |
| 179 | 8020FW-1179 | Ball Bearing | | 2 |
| 180 | VBS2012-4010 | Air Pump Housing | | 1 |
| 181 | VBS2012-4020 | Air Pump Cover | | 1 |
| 182 | TS-0050051 | Hex Cap Screw | 1/4-20 x 1" | 3 |
| 183 | TS-0720071 | Lock Washer | 1/4" | 3 |
| 184 | VBS2012-4030 | Air Pump Shaft | | 1 |
| 185 | VBS2012-4040 | Air Pump Pulley | | 1 |
| 186 | TS-0050011 | Hex Cap Screw | 1/4-20 x 1/2" | 1 |
| 187 | VBS2012-4050 | Air Pump Leaf | | 4 |
| 188 | 8020FW-1188 | Air Pump Suspend Arm | | 2 |
| 189 | TS-0051021 | Hex Cap Screw | 5/16-18 x 5/8" | 2 |
| 190 | TS-0720081 | Lock Washer | 5/16" | 2 |
| 191 | TS-0680031 | Flat Washer | 5/16" | 2 |
| 192 | TS-0051031 | Hex Cap Screw | 5/16-18 x 3/4" | 2 |
| 193 | TS-0720081 | Lock Washer | 5/16" | 2 |
| 194 | TS-0680031 | Flat Washer | 5/16" | 2 |
| 195 | VBS2012-4140 | Air Outlet | | 1 |
| 196 | VBS2012-4150 | Air Inlet | | 1 |
| 197 | VBS2012-4170 | Air Nozzle | | 1 |
| 198 | VBS2012-4180 | Air Nozzle Clip | | 1 |
| 199 | 8020FW-1199 | Air Tube | | 1 |
| 200 | VBS2012-G6201 | Ball Bearing | | 2 |
| 201 | VBS2012-5000 | Main Body | | 1 |
| 202 | VBS2012-5100 | Right Rear Door | | 1 |
| 203 | VBS2012-9310 | Upper Door Hinge | | 2 |
| 204 | TS-1533032 | Phillips Pan Head Machine Screw | 5 x 10mm | 4 |
| 205 | TS-1551031 | Lock Washer | 5mm | 4 |
| 206 | TS-1533032 | Phillips Pan Head Machine Screw | 5 x 10mm | 4 |
| 207 | TS-1551031 | Lock Washer | 5mm | 4 |
| 208 | TS-1540031 | Hex Nut | 5mm | 4 |
| 209 | VBS2012-9500 | Spring Plate | | 2 |
| 210 | TS-1533032 | Phillips Pan Head Machine Screw | 5 x 10mm | 4 |
| 211 | TS-1551031 | Lock Washer | 5mm | 4 |
| 212 | TS-1540031 | Hex Nut | 5mm | 4 |
| 213 | TS-1533032 | Phillips Pan Head Machine Screw | 5 x 10mm | 2 |
| 214 | TS-1551031 | Lock Washer | 5mm | 2 |
| 215 | TS-1540031 | Hex Nut | 5mm | 2 |
| 216 | VBS2012-9590 | Handle | | 1 |
| 217 | TS-1534052 | Phillips Pan Head Machine Screw | 6 x 15mm | 2 |
| 218 | TS-1551041 | Lock Washer | 6mm | 2 |
| 219 | TS-1540041 | Hex Nut | 6mm | 2 |
| 220 | VBS2012-5101 | Left Rear Door | | 1 |
| 221 | VBS2012-9310 | Upper Door Hinge | | 2 |
| 222 | TS-1533032 | Phillips Pan Head Machine Screw | 5 x 10mm | 4 |
| 223 | TS-1551031 | Lock Washer | 5mm | 4 |
| 224 | TS-1533032 | Phillips Pan Head Machine Screw | 5 x 10mm | 4 |
| 225 | TS-1551031 | Lock Washer | 5mm | 4 |
| 226 | TS-1540031 | Hex Nut | 5mm | 4 |
| 227 | TS-133032 | Phillips Pan Head Machine Screw | 5 x 8mm | 2 |
| 228 | VBS2012-5120 | Lower Door | | 1 |
| 229 | VBS2012-9310 | Upper Door Hinge | | 2 |
| 230 | TS-1533032 | Phillips Pan Head Machine Screw | 5 x 10mm | 4 |
| 231 | TS-1551031 | Lock Washer | 5mm | 4 |
| 232 | TS-1550031 | Flat Washer | 5mm | 4 |
| 233 | TS-1533032 | Phillips Pan Head Machine Screw | 5 x 10mm | 4 |
| 234 | TS-1551031 | Lock Washer | 5mm | 4 |
| 235 | TS-1540031 | Hex Nut | 5mm | 4 |

| | | | | |
|-----|--------------|----------------------------------|------------------|---|
| 236 | VBS2012-9500 | Spring Plate | | 2 |
| 237 | TS-1533032 | Phillips Pan Head Machine Screw | 5 x 10mm | 4 |
| 238 | TS-1551031 | Lock Washer | 5mm | 4 |
| 239 | TS-1540031 | Hex Nut | 5mm | 4 |
| 240 | TS-1533032 | Phillips Pan Head Machine Screw | 5 x 10mm | 2 |
| 241 | TS-1551031 | Lock Washer | 5mm | 2 |
| 242 | TS-1550031 | Flat Washer | 5mm | 2 |
| 243 | VBS2012-9590 | Handle | | 1 |
| 244 | TS-1534052 | Phillips Pan Head Machine Screw | 6 x 15mm | 2 |
| 245 | TS-1551041 | Lock Washer | 6mm | 2 |
| 246 | TS-1540041 | Hex Nut | 6mm | 2 |
| 247 | VBS2012-5140 | Front Upper Door | | 1 |
| 248 | VBS2012-9300 | Upper Door Hinge | | 2 |
| 249 | TS-1533052 | Phillips Pan Head Machine Screw | 5 x 15mm | 4 |
| 250 | TS-1551031 | Lock Washer | 5mm | 4 |
| 251 | TS-1540031 | Hex Nut | 5mm | 4 |
| 252 | TS-1533032 | Phillips Pan Head Machine Screw | 5 x 10mm | 4 |
| 253 | TS-1551031 | Lock Washer | 5mm | 4 |
| 254 | TS-1540031 | Hex Nut | 5mm | 4 |
| 255 | VBS2012-9500 | Spring Plate | | 2 |
| 256 | TS-1533032 | Phillips Pan Head Machine Screw | 5 x 10mm | 4 |
| 257 | TS-1551031 | Lock Washer | 5mm | 4 |
| 258 | TS-1540031 | Hex Nut | 5mm | 4 |
| 259 | TS-1533032 | Phillips Pan Head Machine Screw | 5 x 10mm | 2 |
| 260 | TS-1551031 | Lock Washer | 5mm | 2 |
| 261 | TS-1540031 | Hex Nut | 5mm | 2 |
| 262 | VBS2012-9590 | Handle | | 1 |
| 263 | TS-1534052 | Phillips Pan Head Machine Screw | 6 x 15mm | 2 |
| 264 | TS-1551041 | Lock Washer | 6mm | 2 |
| 265 | TS-1540041 | Hex Nut | 6mm | 2 |
| 266 | VBS2012-8372 | Variable Speed Instruction Label | | 1 |
| 267 | VBS2012-8422 | Gear Box Warning Label | | 1 |
| 268 | VBS2012-9999 | Eye Bolt | | 1 |
| 269 | VBS2012-6600 | Pushbutton, ON | | 1 |
| 270 | VBS2012-6602 | Pushbutton, OFF | | 1 |
| 271 | VBS2012-6610 | Emergency Switch | | 1 |
| 272 | 8020FW-1272 | Limit Switch | | 2 |
| 273 | VBS2012-6650 | Key Switch | | 1 |
| 274 | VBS2012-6710 | Contactora | | 1 |
| 275 | TS-1532052 | Phillips Pan Head Machine Screw | 4 x 15mm | 2 |
| 276 | VBS2012-6720 | Starter Overload | | 1 |
| 277 | VBS2012-6742 | Power On Indicator Light | | 1 |
| 278 | VBS2012-6745 | Voltage Reducer | | 1 |
| 279 | TS-1532032 | Phillips Pan Head Machine Screw | 4 x 8mm | 4 |
| 280 | VBS2012-6750 | Fuse | | 3 |
| 281 | 8020FW-1281 | Fuse | | 1 |
| 282 | 8020FW-1282 | Wire Housing | | 2 |
| 283 | TS-1532052 | Phillips Pan Head Machine Screw | 4 x 15mm | 4 |
| 284 | 8020FW-1284 | Ground Seat | | 1 |
| 285 | TS-1532042 | Phillips Pan Head Machine Screw | 4 x 12mm | 2 |
| 286 | VBS2012-6799 | Wiring Plate | | 1 |
| 287 | TS-081C042 | Phillips Pan Head Machine Screw | 10-24 x 1/2" | 4 |
| 288 | 8020FW-1288 | Digital Tachometer | | 1 |
| 289 | 8020FW-1289 | Control Plate | | 1 |
| 290 | TS-133032 | Phillips Pan Head Machine Screw | 5 x 8mm | 6 |
| 291 | 8020FW-1291 | Copper Pan Head Bolt | 4 x 10mm | 6 |
| 292 | VBS2012-7000 | Motor Spring Housing | | 1 |
| 293 | TS-0051061 | Hex Cap Screw | 5/16-18 x 1 1/4" | 4 |
| 294 | TS-0720081 | Lock Washer | 5/16" | 4 |
| 295 | TS-0680031 | Flat Washer | 5/16" | 4 |

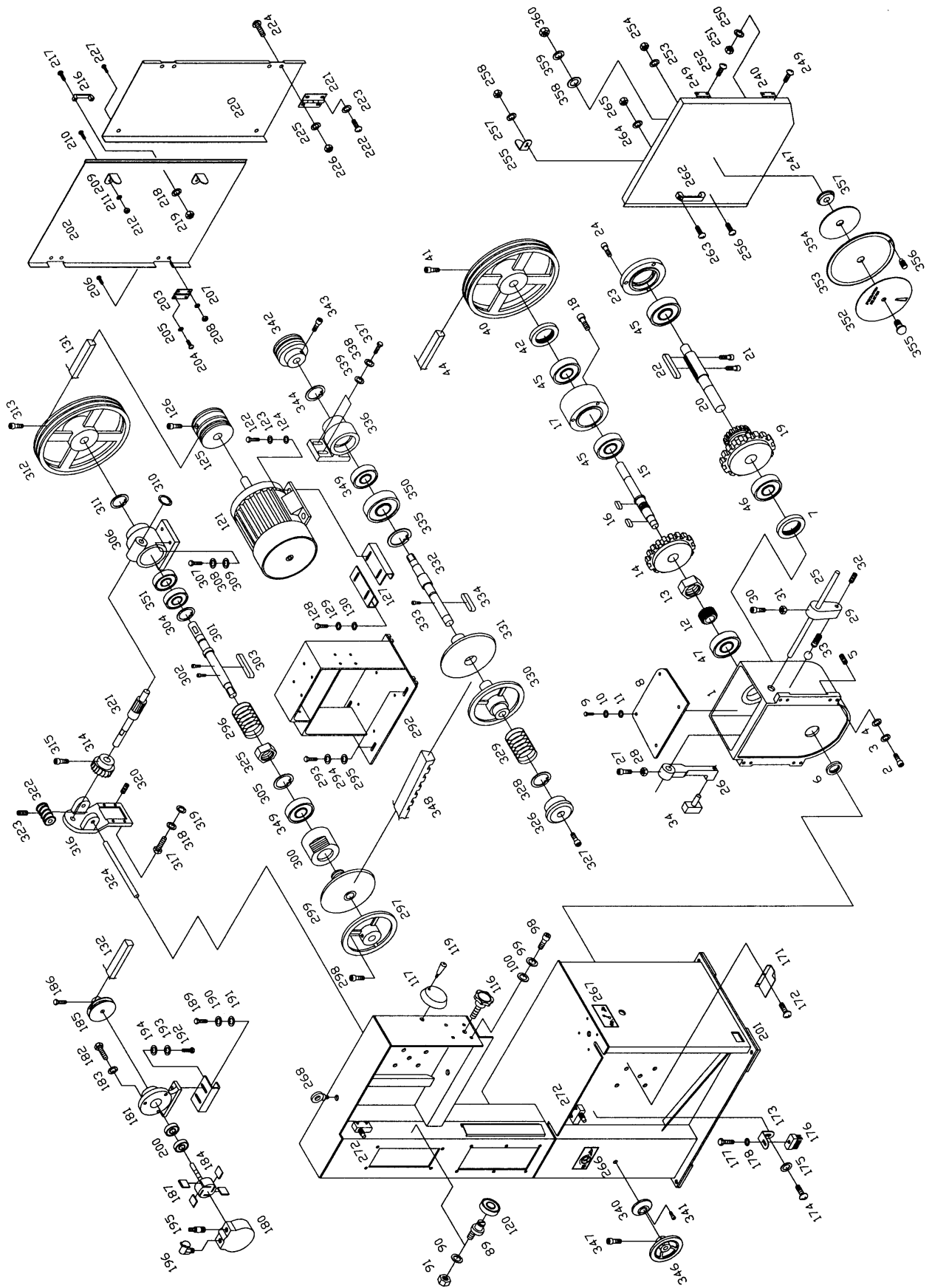
| | | | | |
|-----|---------------|-------------------------------------|------------------|---|
| 296 | VBS2012-7010 | Spring | | 1 |
| 297 | VBS2012-7020 | Variable Speed Disc – Upper Outside | | 1 |
| 298 | TS-0208041 | Socket Head Cap Screw | 5/16-18 x 3/4" | 1 |
| 299 | VBS2012-7030 | Variable Speed Disc – Upper Inside | | 1 |
| 300 | VBS2012-7040 | Variable Speed Housing Tube | | 1 |
| 301 | VBS2012-7050 | Variable Speed Disc Shaft | | 1 |
| 302 | TS-1501051 | Socket Head Cap Screw | 4 x 16mm | 2 |
| 303 | 8020FW-1303 | Key | 6 x 80mm | 1 |
| 304 | 8020FW-1304 | Retaining Ring | 52mm | 1 |
| 305 | 8020FW-1305 | Retaining Ring | 62mm | 1 |
| 306 | VBS2012-7060 | Variable Speed Housing | | 1 |
| 307 | TS-0051061 | Hex Cap Screw | 5/16-18 x 1 1/4" | 4 |
| 308 | TS-0720081 | Lock Washer | 5/16" | 4 |
| 309 | TS-0680031 | Flat Washer | 5/16" | 4 |
| 310 | 8020FW-1310 | Retaining Ring | 16mm | 1 |
| 311 | 8020FW-1311 | Retaining Ring | 25mm | 1 |
| 312 | VBS2012-7070 | Pulley | | 1 |
| 313 | TS-0209051 | Socket Head Cap Screw | 3/8-16 x 1" | 1 |
| 314 | VBS2012-7080 | Worm Gear | | 1 |
| 315 | TS-0207031 | Socket Head Cap Screw | 1/4-20 x 5/8" | 1 |
| 316 | VBS2012-7090 | Worm Gear Housing | | 1 |
| 317 | TS-0051061 | Hex Cap Screw | 5/16-18 x 1 1/4" | 4 |
| 318 | TS-0720081 | Lock Washer | 5/16" | 4 |
| 319 | TS-0680031 | Flat Washer | 5/16" | 4 |
| 320 | TS-0267061 | Socket Set Screw | 1/4-20 x 5/8" | 4 |
| 321 | VBS2012-7100 | Gear Shaft | | 1 |
| 322 | VBS2012-7110 | Worm | | 1 |
| 323 | TS-0267061 | Socket Set Screw | 1/4-20 x 5/8" | 1 |
| 324 | VBS2012-7120 | Whirling Arm | | 1 |
| 325 | VBS2012-7190 | Screw Nut | | 1 |
| 326 | VBS2012-7200 | Spring Housing | | 1 |
| 327 | TS-0208041 | Socket Set Screw | 5/16-18 x 3/4" | 1 |
| 328 | 8020FW-1328 | Retaining Ring | 20mm | 1 |
| 329 | VBS2012-7210 | Spring | | 1 |
| 330 | VBS2012-7220 | Variable Speed Disc – Lower Outside | | 1 |
| 331 | VBS2012-7230 | Variable Speed Disc – Lower Inside | | 1 |
| 332 | VBS2012-7250 | Variable Speed Shaft | | 1 |
| 333 | TS-1501051 | Socket Head Cap Screw | 4 x 16mm | 1 |
| 334 | 8020FW-1334 | Key | 6 x 60mm | 1 |
| 335 | 8020FW-1335 | Retaining Ring | 62mm | 1 |
| 336 | VBS2012-7260 | Shaft Housing | | 1 |
| 337 | TS-0051061 | Hex Cap Screw | 5/16-18 x 1 1/4" | 4 |
| 338 | TS-0720081 | Lock Washer | 5/16" | 4 |
| 339 | TS-0680031 | Flat Washer | 5/16" | 4 |
| 340 | VBS2012-7290 | Wheel Seat | | 1 |
| 341 | TS-081C042 | Socket Head Cap Screw | 10-24 x 5/8" | 3 |
| 342 | VBS2012-7300 | Pulley | | 1 |
| 343 | TS-0208041 | Socket Head Cap Screw | 5/16-18 x 3/4" | 1 |
| 344 | 8020FW-1344 | Retaining Ring | 20mm | 1 |
| 345 | VBS2012-7310 | Speed Readout | | 1 |
| 346 | VBS2012-9030 | Handwheel | | 1 |
| 347 | TS-0208031 | Socket Head Cap Screw | 5/16-18 x 5/8" | 1 |
| 348 | VBS2012-BV875 | V-Belt, 7030+7230 | | 1 |
| 349 | 8020FW-1349 | Ball Bearing | | 2 |
| 350 | 8020FW-1350 | Ball Bearing | | 1 |
| 351 | 8020FW-1351 | Ball Bearing | | 2 |
| 352 | 8020FW-1352 | Speed and Pitch Selector (1) | | 1 |
| 353 | 8020FW-1353 | Speed and Pitch Selector (2) | | 1 |
| 354 | 8020FW-1354 | Speed and Pitch Selector (3) | | 1 |
| 355 | 8020FW-1355 | Brass Bolt | | 1 |

| | | | |
|-----|-------------|------------------|-------|
| 356 | 8020FW-1356 | Brass Handle | 1 |
| 357 | 8020FW-1357 | Selector Bushing | 1 |
| 358 | TS-1550011 | Flat Washer | 3mm 1 |
| 359 | 8020FW-1359 | Lock Washer | 3mm 1 |

Band Saw Assembly (8020FW only)



Band Saw Assembly (8020FW only)



Parts List: Welder, Shear and Work Lamp Assemblies (8020FW only)

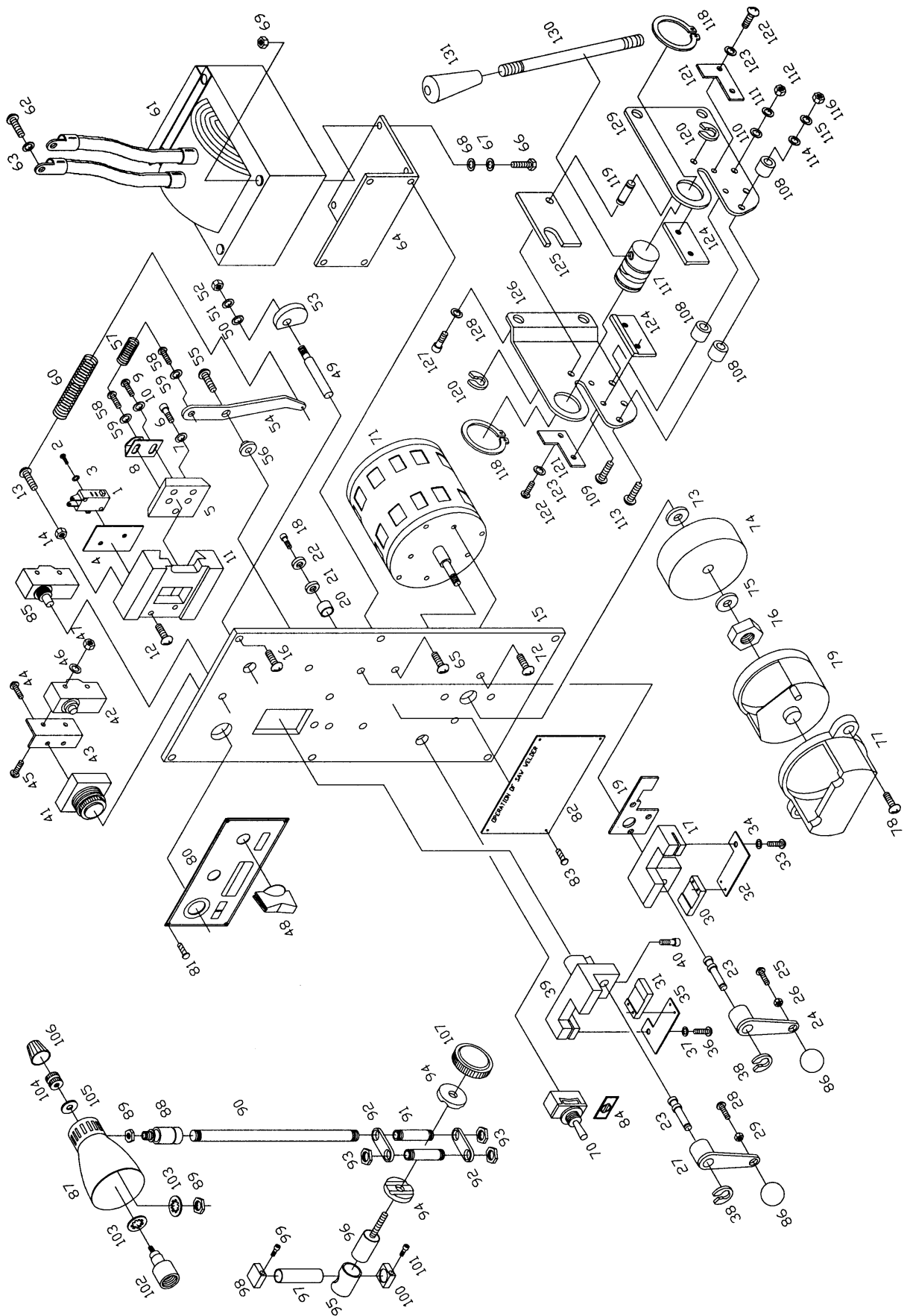
(refer to breakdown on page 52)

| Index No. | Part No. | Description | Size | Qty |
|-----------|--------------|---------------------------------|-------------|-----|
| 1 | JWG34-601 | Limit Switch | | 1 |
| 2 | 8014FW-22 | Phillips Pan Head Machine Screw | #5 x 5/8" | 2 |
| 3 | 8014FW-23 | Lock Washer | #5 | 2 |
| 4 | PR-EV-6011 | Insulator | | 1 |
| 5 | PR-EV-6020 | Guide Block | | 1 |
| 6 | TS-1502061 | Socket Head Cap Screw | 5 x 25mm | 2 |
| 7 | TS-1551031 | Lock Washer | 5mm | 2 |
| 8 | PR-EV-6021 | Spring Bracket | | 1 |
| 9 | 8014FW-29 | Pan Head Bolt | 5 x 6mm | 2 |
| 10 | TS-1551031 | Lock Washer | 5mm | 2 |
| 11 | PR-EV-6030 | Guide Casting | | 1 |
| 12 | TS-1533032 | Phillips Pan Head Machine Screw | 5 x 10mm | 4 |
| 13 | 8014FW-213 | Pan Head Bolt | 5 x 25mm | 1 |
| 14 | TS-1540031 | Hex Nut | 5mm | 1 |
| 15 | PR-EV-6040 | Housing | | 1 |
| 16 | TS-1533052 | Phillips Pan Head Machine Screw | 5 x 16mm | 6 |
| 17 | PR-EV-6050 | Stationary Jaw | | 1 |
| 18 | TS-1502051 | Socket Head Cap Screw | 5 x 20mm | 3 |
| 19 | PR-EV-6051 | Insulator | | 1 |
| 20 | PR-EV-6052 | Insulating Tube | | 3 |
| 21 | PR-EV-6053 | Insulating Washer | | 3 |
| 22 | PR-EV-6054 | Spacer | | 3 |
| 23 | PR-EV-6060 | Eccentric Shaft | | 2 |
| 24 | PR-EV-6070 | Right Clamp Lever | | 1 |
| 25 | TS-0208041 | Phillips Pan Head Machine Screw | 5/16 x 3/4" | 2 |
| 26 | TS-0570021 | Hex Nut | 5/16-18 | 2 |
| 27 | PR-EV-6071 | Left Clamp Lever | | 1 |
| 28 | TS-0208041 | Phillips Pan Head Machine Screw | 5/16 x 3/4" | 2 |
| 29 | TS-0570021 | Hex Nut | 5/16-18 | 2 |
| 30 | PR-EV-6100 | Right Clamp Support | | 1 |
| 31 | PR-EV-6101 | Left Clamp Support | | 1 |
| 32 | PR-EV-6110 | Right Clamp Plate | | 1 |
| 33 | TS-1533032 | Phillips Pan Head Machine Screw | 5 x 10mm | 1 |
| 34 | TS-1551031 | Lock Washer | 5mm | 1 |
| 35 | PR-EV-6111 | Left Clamp Plate | | 1 |
| 36 | TS-1533032 | Phillips Pan Head Machine Screw | 5 x 10mm | 1 |
| 37 | TS-1551031 | Lock Washer | 5mm | 1 |
| 38 | PR-EV-6120 | Cam | | 2 |
| 39 | PR-EV-6130 | Moving Jaw | | 1 |
| 40 | TS-1502031 | Socket Head Cap Screw | 5 x 12mm | 2 |
| 41 | JWG34-615 | Weld Button | | 1 |
| 60 | PR-EV-6230 | Long Spring | | 1 |
| 61 | VBS1220M-624 | Transformer | | 1 |
| 62 | 8014FW-262 | Copper Pan Head Bolt | 3/16 x 3/8" | 2 |
| 63 | TS-0720051 | Lock Washer | #10 | 2 |
| 64 | 8020FW-264 | Mounting Bracket | | 4 |
| 65 | TS-1513021 | Socket Head Flat Screw | 5 x 12mm | 4 |
| 66 | TS-0050171 | Hex Cap Screw | 1/4-20 x 4" | 4 |
| 70 | PR-EV-6250 | Switch | | 1 |
| 68 | TS-0680021 | Flat Washer | 1/4" | 1 |
| 69 | TS-0561011 | Hex Nut | 1/4-20 | 4 |
| 73 | PR-EV-6270 | Spacer | | 1 |
| 71 | PR-EV-6260 | Grinder Motor | | 1 |
| 72 | TS-1513011 | Socket Head Flat Screw | 5 x 10mm | 1 |
| 74 | PR-EV-6280 | Grinder Wheel | | 1 |

| | | | | |
|-----|--------------|---------------------------------|-----------------|---|
| 75 | 8014FW-272 | Spacer | 2 | |
| 76 | TS-1540041 | Hex Nut | 1 | |
| 77 | VBS1220M-629 | Grinder Guard | 1 | |
| 78 | TS-1513021 | Socket Head Flat Screw | 5 x 12mm | 4 |
| 79 | PR-EV-6291 | Grinder Cover | 1 | |
| 80 | PR-HV-6330 | Welder Name Plate | 4 | |
| 81 | 8014FW-278 | Rivet | 2mm | 1 |
| 82 | PR-EV-6340 | Instruction Label | 1 | |
| 83 | 8020FW-283 | Rivet | 2mm | 2 |
| 84 | PR-EV-6350 | Grinder Label | 2 | |
| 85 | PR-HV-6420 | Anneal Switch | 3mm | 2 |
| 86 | VBS14-609 | Knob | 2 | |
| 87 | VBS2012-6810 | Light Shield | 1 | |
| 88 | VBS2012-6820 | Shield Jointer | 1 | |
| 89 | VBS2012-6830 | Brass Nut | 2 | |
| 90 | VBS2012-6840 | Lamp Arm | 1 | |
| 91 | VBS2012-6860 | Arm Tube | 2 | |
| 92 | VBS2012-6870 | Tube Holder | 2 | |
| 93 | VBS2012-6880 | Arm Nut | 3 | |
| 94 | VBS2012-6890 | Tube Locker | 2 | |
| 95 | VBS2012-6900 | Arm Housing Adjuster | 1 | |
| 96 | VBS2012-6910 | Housing Adjust Screw | 1 | |
| 97 | VBS2012-6920 | Lamp Arm Housing | 1 | |
| 98 | VBS16-6930 | 6920 Upper Holder | 1 | |
| 99 | TS-1502081 | Socket Head Cap Screw | 5 x 35mm | 1 |
| 100 | VBS16-6931 | 6920 Lower Holder | 1 | |
| 101 | TS-1502081 | Socket Head Cap Screw | 5 x 35mm | 1 |
| 102 | VBS2012-6950 | Lamp Socket | 1 | |
| 103 | 8014FW-2103 | Washer | 2 | |
| 104 | 8014FW-2104 | Nut | 1 | |
| 105 | TS-1550071 | Flat Washer | 10mm | 1 |
| 106 | 8014FW-2106 | Rotating Button | 1 | |
| 107 | VBS2012-9040 | Brass Handwheel | 1 | |
| 108 | PR-EV-1910 | Spindle Bushing | 3 | |
| 109 | TS-0207061 | Socket Head Cap Screw | 1/4-20 x 1" | 1 |
| 110 | TS-0680021 | Flat Washer | 1/4" | 1 |
| 111 | TS-0720071 | Lock Washer | 1/4" | 1 |
| 112 | TS-0561011 | Hex Nut | 1/4-20 | 1 |
| 113 | TS-0207081 | Socket Head Cap Screw | 1/4-20 x 1 1/2" | 1 |
| 114 | TS-0680021 | Flat Washer | 1/4" | 1 |
| 115 | TS-0720071 | Lock Washer | 1/4" | 1 |
| 116 | TS-0561011 | Hex Nut | 1/4-20 | 1 |
| 117 | PR-EV-1920 | Spindle Lift | 1 | |
| 118 | 8014FW-2118 | Retaining Ring | 25mm | 2 |
| 119 | PR-EV-1930 | Blade Shaft | 1 | |
| 120 | 8014FW-2120 | Retaining Ring | 5mm | 2 |
| 121 | PR-EV-1940 | Vaned Iron Plate | 2 | |
| 122 | TS-081C022 | Phillips Pan Head Machine Screw | #10-24 X 3/8" | 4 |
| 123 | TS-0720051 | Lock Washer | #10 | 4 |
| 124 | PR-EV-1950 | Lower Blade | 2 | |
| 125 | PR-EV-1960 | Upper Blade | 1 | |
| 126 | PR-EV-1970 | Left Joint Plate | 1 | |
| 127 | TS-0208031 | Socket Head Cap Screw | 5/16-18 x 5/8" | 2 |
| 128 | TS-0720081 | Lock Washer | 5/16" | 2 |
| 129 | PR-EV-1980 | Right Chain Joint | 1 | |
| 130 | PR-EV-1990 | Handle Bar | 1 | |
| 131 | PR-EV-9210 | Knob | 1 | |
| 42 | PR-HV-6160 | Micro Switch | 2 | |
| 43 | PR-EV-6161 | Switch Bracket | 1 | |
| 44 | TS-1531022 | Phillips Pan Head Machine Screw | 3 x 8mm | 2 |
| 45 | 8020FW-245 | Pan Head Bolt | #8-32 x 1" | 2 |

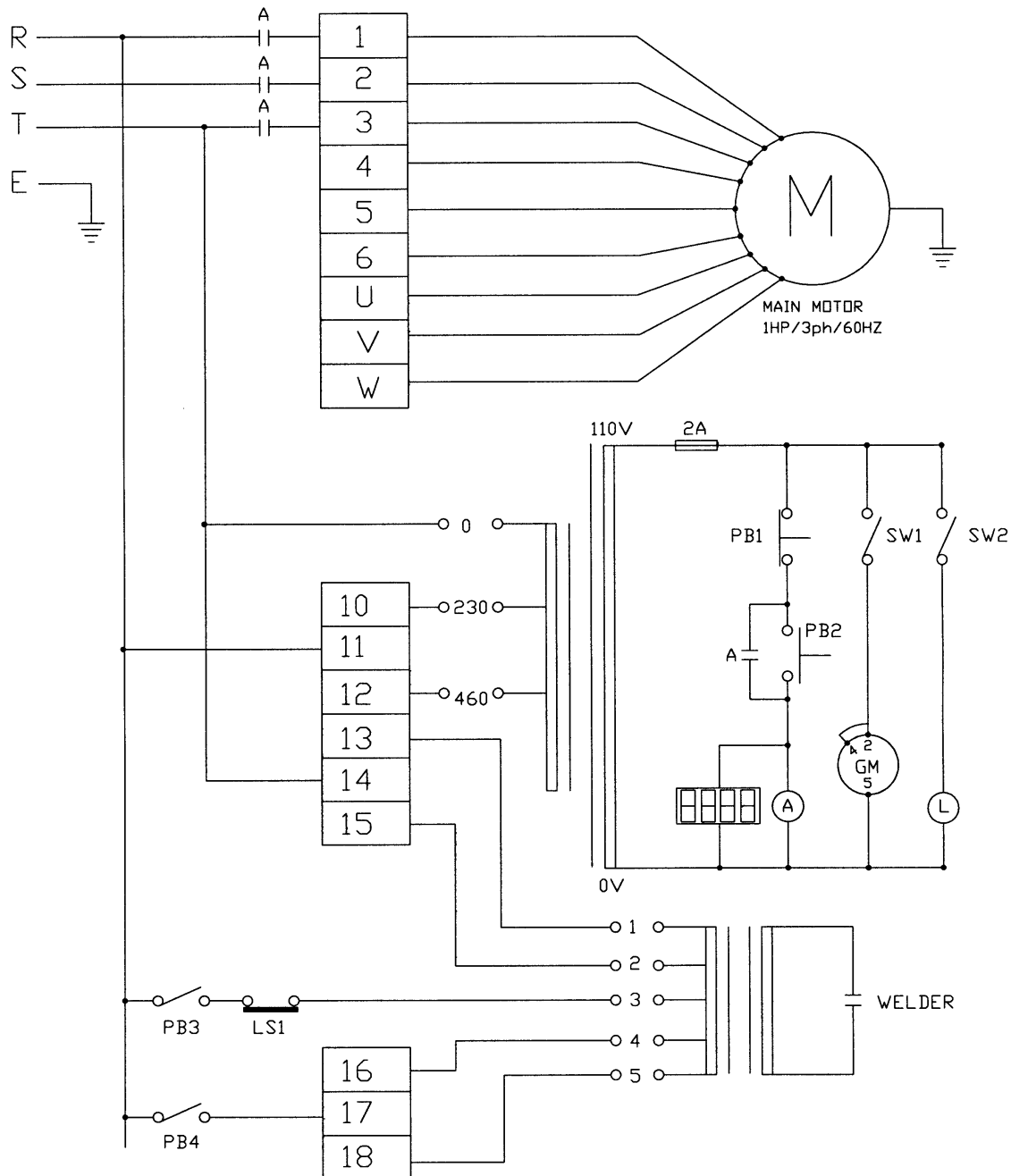
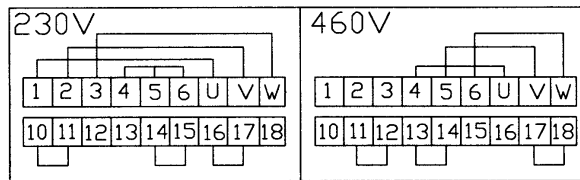
| | | | | |
|----|------------|---------------------------------|--------------|---|
| 46 | TS-1550011 | Flat Washer | 3mm | 2 |
| 47 | 8020FW-247 | Hex Nut | #8-32 | 2 |
| 48 | PR-EV-6170 | Pressure Adjust Knob | | 1 |
| 49 | PR-EV-6180 | Shaft | | 1 |
| 50 | TS-0680021 | Flat Washer | 1/4" | 1 |
| 51 | TS-0720071 | Lock Washer | 1/4" | 1 |
| 52 | TS-0570011 | Hex Nut | 1/4-20 | 1 |
| 53 | PR-EV-6200 | Cam | | 1 |
| 54 | PR-EV-6210 | Weld Tension Arm | | 1 |
| 55 | TS-081F052 | Phillips Pan Head Machine Screw | 1/4-20 x 3/4 | 1 |
| 56 | PR-EV-6211 | Bushing | | 1 |
| 57 | PR-EV-6220 | Short Spring | | 1 |
| 58 | 8014FW-258 | Phillip Pan Head Machine Screw | 5 x 6mm | 2 |
| 59 | TS-1551031 | Lock Washer | 5mm | 2 |

Welder, Shear and Work Lamp Assemblies (8020FW only)



Electrical Connections – Model 8014FW only

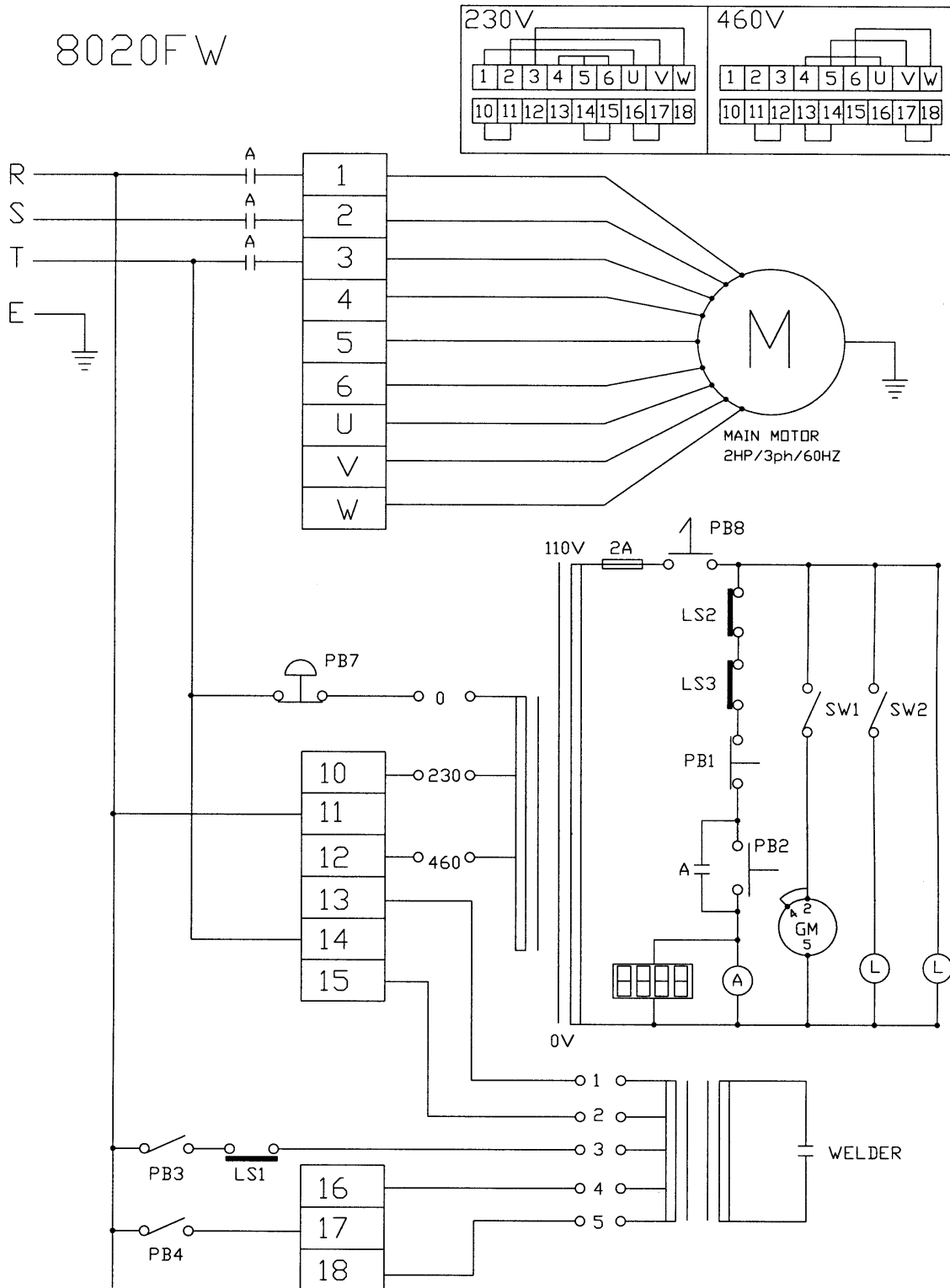
8014FW



PB1: SAW STOP BUTTON
 PB2: SAW START BUTTON
 PB3: WELD BUTTON
 PB4: ANNEAL BUTTON

LS1: WELD LIMIT SWITCH
 SW1: GRINDER ON-OFF SWITCH
 SW2: WORK LAMP SWITCH

Electrical Connections – Model 8020FW only



PB1: SAW STOP BUTTON
 PB2: SAW START BUTTON
 PB3: WELD BUTTON
 PB4: ANNEAL BUTTON
 PB7: EMERGENCY STOP SWITCH
 PB8: KEY SWITCH

LS1: WELD LIMIT SWITCH
 LS2: SAFETY SWITCH
 LS3: SAFETY SWITCH
 SW1: GRINDER ON-OFF SWITCH
 SW2: WORK LAMP SWITCH



WMH Tool Group
2420 Vantage Drive
Elgin, Illinois 60123
Phone: 800-274-6848
www.wmhtoolgroup.com