

Type: GRIT GIS 75
Part no.: 79022900443

Item	Part no.	Designation	Quantity
10	39000000156	Motor 4,0KW 3000 RPM	1
20	39000001194	Switch 3x400V 50 Hz/3x440V 60Hz	1
25	39000001701	Cable with plug	1
50	39000000219	Hood	1
55	43041040048	Fillister head screw	4
60	39000000218	Blade	1
61	39000005290	Cover 4 KW	1
62	39000001644	Flange B14	1
63	39000001656	Service kit	1
64	39000000444	Screw M6X30	4
65	39000000720	Nut	3
70	39000006028	Screw 4,2X13	3
80	39000000498	Handle	1
90	39000003319	Bush	2
100	39000001148	Flange	1
110	39000001139	Screw	1
120	39000001138	Screw	3
130	39000000080	Spring	1
140	39000000537	Countersunk screw	3
150	39000000143	Bolt M8X60	1
155	39000000149	Screw M6X8	2
160	39000003331	Disc	1
170	39000001161	Screw	1
180	39000002812	Disc	1

Type: GRIT GIS 75
Part no.: 79022900443

Item	Part no.	Designation	Quantity
190	39000000241	Screw	1
200	39000000434	Screw	1
210	39000000105	Shim	2
220	39000000160	Cup spring 20,4x2	1
230	39000001158	Lever	1
240	39000004659	Tensioning arm	1
250	39000000484	Gas compression spring	1
255	39000004694	Plate Rechts	1
260	39000000168	Disc	1
265	39000001151	Plate	1
270	39000000006 ↓ 39000000206	Drive wheel 200x75 mm Drive wheel	1
275	39000004695	Plate Links	1
280	39000000529	Screw	2
285	39000000084	Handle M6 VE 2	1
290	39000000827	Screw	1
300	39000000111	Screw	1
310	39000000724	Circlip	1
320	39000000167	Fitting	2
330	39000001006	Contact wheel	1
340	39000005826	Handle	2
350	39000004708	Spark box	1
355	39000004671	Spacer	1
360	39000003743	Handle	3

Type: GRIT GIS 75
Part no.: 79022900443

Item	Part no.	Designation	Quantity
370	39000000138	Cover	1
380	39000000044	Nut	2
390	39000000153	Bolt M8x45	2
400	39000000128	Sanding table	1
410	39000000047	Nut	2
420	39000000139	Cover	1
430	39000000130	Cover	1
435	39000000132	Support	1
440	39000000164	Screw	1
445	39000006362	Disc	1
450	39000000097	Handle	1
460	39000000099	Screw	1
470	39000005623	Eye guard	1
480	39000000087	Locking bar	1
490	39000000089	Cup spring 8,2x0,9 mm	1
510	39000000154	Screw	2
520	39000005043	Graphite coating 80x430 mm	1
530	39000004723	Holder	1
535	39000000048	Screw	1
540	39000000061	Nut	1
550	39000000045	Nut	7
560	39000000171	Handle M8X30	1
570	39000000141	Workpiece support	1
575	39000000083	Screw	2

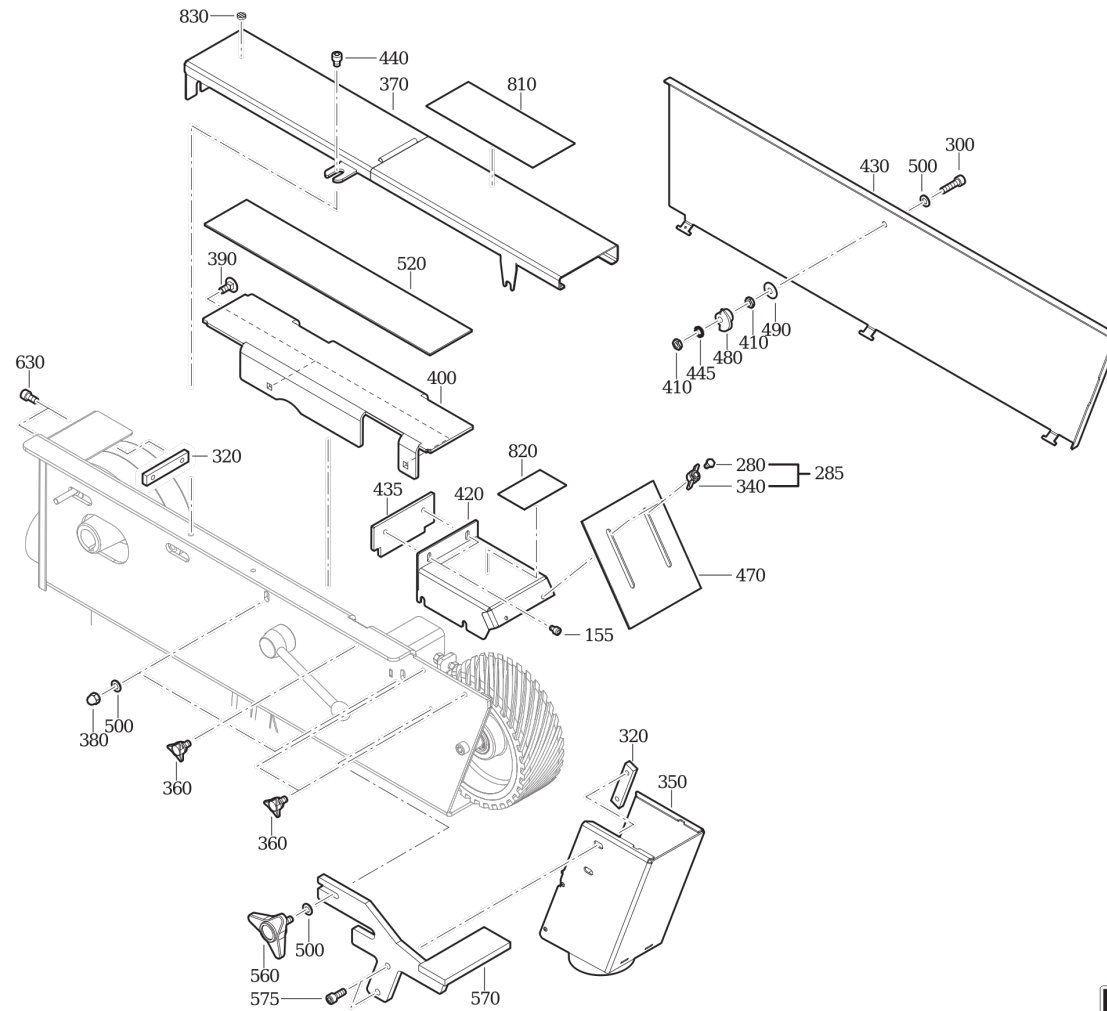
Type: GRIT GIS 75
Part no.: 79022900443

Item	Part no.	Designation	Quantity
580	39000004729	Housing	1
600	39000000479	Flap switch	1
630	39000000165	Screw	7
640	99001010000	Machine base GISB	1
660	39000001532	Handle M8X20	2
670	39000000090	Disc	2
680	39000001162	Screw	1
690	39000000062	Nut	1
700	39000000199	Disc	1
810	39000006142	Sign	1
820	39000006100	Sign	1
830	39000005540	Stop	1
840	39000001459	Shaft	1
1560	39000000540	Seal	1

Type:
Part no.:

GRIT GIS 75
79022900443

7 902 29 - GIS 75



Type:
Part no.:

GRIT GIS 75
79022900443

