

Type: GRIT GI 100
Part no.: 79022312233

Item	Part no.	Designation	Quantity
10	39000000117	Switch 230V50-60Hz	1
20	39000000114	Motor 1,1KW 3000 RPM	1
25	43041040048	Fillister head screw	4
30	39000000080	Spring	1
40	39000005130	Eye guard	1
50	39000000121	Blade	1
60	39000000122	Hood	1
70	39000000055	Gas compression spring	1
80	39000000054	Bolt M8X16	2
100	39000000052	Bolt M8X35	1
110	39000000051	Screw	1
120	39000000050	Screw	1
130	39000000111	Screw	3
140	39000000099	Screw	1
150	39000005045	Graphite coating 105x185 mm	1
165	39000001161	Screw	1
180	39000004889	Housing	1
190	32422395000	Cover	1
200	39000000018	Sanding table	1
210	39000004887	Bracket	1
220	39000004886	Cover	1
230	39000000021	Flange	1
240	39000000024	Bush	7
250	39000000023	Adjustment unit	1

Type: GRIT GI 100
Part no.: 79022312233

Item	Part no.	Designation	Quantity
260	39000001208	Lever	1
280	39000004885	Grinding arm	1
290	39000000032	Bush	1
300	39000000033	Tensioning arm	1
320	39000000037	Ring	1
340	39000003743	Handle	5
350	39000000086	Handle	1
360	39000000097	Handle	1
370	39000000047	Nut	2
380	39000000046	Nut	1
400	39000000044	Nut	2
410	39000000043	Bolt M6X11	1
420	39000000087	Locking bar	1
430	39000006362	Disc	1
490	39000004268	Disc	1
510	39000000089	Cup spring 8,2x0,9 mm	1
530	39000000041	Screw	4
540	39000000040	Flat headed screw	1
550	39000000541	Sheet metal screw	3
560	39000000011 ↓ 39000000311	Contact wheel 120x100 mm	1
570	39000000092 ↓ 39000000292	Drive wheel	1
590	39000000479	Flap switch	1

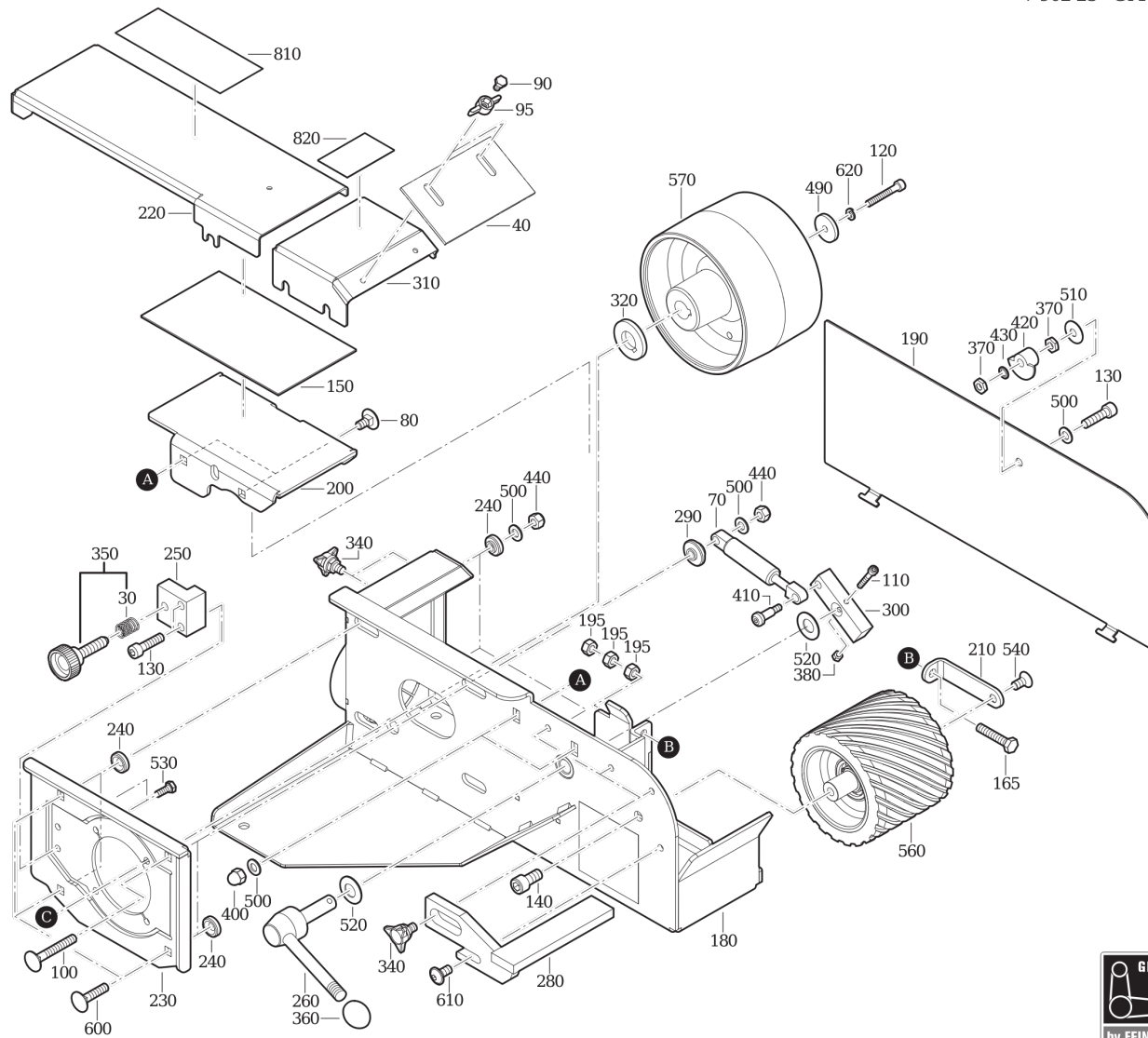
Type: GRIT GI 100
Part no.: 79022312233

Item	Part no.	Designation	Quantity
600	39000000145	Bolt M8X35	3
610	39000000048	Screw	1
620	39000001064	Spring washer D6	1
690	39000000540	Seal	1
700	39000001139	Screw	1
705	39000000720	Nut	3
710	39000001138	Screw	3
810	39000006110	Sign	1
820	39000006100	Sign	1

Type:
Part no.:

GRIT GI 100
79022312233

7 902 23 - GI100



Type:
Part no.:

GRIT GI 100
79022312233

7 902 23 - GI100

