

**Type:** GIMS 150-6  
**Part no.:** 79021900403

<b>Item</b>	<b>Part no.</b>	<b>Designation</b>	<b>Quantity</b>
30	39000000537	Countersunk screw	4
40	39000000044	Nut	2
50	39000000045	Nut	11
60	39000000047	Nut	4
70	39000000061	Nut	7
80	39000000063	Nut	1
90	39000000083	Screw	4
105	39000006362	Disc	1
110	39000000089	Cup spring 8,2x0,9 mm	2
120	39000000148	Disc	2
130	39000000090	Disc	6
140	39000001102	Drive wheel	1
150	39000000099	Screw	3
160	39000000111	Screw	1
170	39000000123	Plate	1
180	39000000124	Bush VE 4	1
190	39000000126	Flange	1
200	39000000127	Adjustment unit	2
210	39000000129	Bush	1
220	39000000130	Cover	1
230	39000000131	Bush	1
240	39000002813	Disc	1
250	39000000135	Plate	1
260	39000004723	Holder	1

**Type:** GIMS 150-6  
**Part no.:** 79021900403

<b>Item</b>	<b>Part no.</b>	<b>Designation</b>	<b>Quantity</b>
270	39000000143	Bolt M8X60	1
280	39000000145	Bolt M8X35	3
290	39000000048	Screw	1
300	39000000152	Screw M8X25	1
310	39000000153	Bolt M8x45	2
320	39000000154	Screw	2
330	39000000155	Nipple M6	1
340	39000001376	Motor	1
350	39000000160	Cup spring 20,4x2	2
360	39000000161	Spring	1
370	39000000162	Handle M8X75	1
380	39000000163	Disc D12	1
390	39000000164	Screw	2
400	39000000165	Screw	5
410	39000000168	Disc	3
420	39000000182	Sanding table	1
430	39000005624	Eye guard	1
440	39000000185	Fitting	1
450	39000000288	Contact wheel	1
470	39000000724	Circlip	1
480	39000000827	Screw	1
490	39000000915	Housing	1
500	39000002812	Disc	4
510	32119114005	Handle	1

**Type:** GIMS 150-6  
**Part no.:** 79021900403

<b>Item</b>	<b>Part no.</b>	<b>Designation</b>	<b>Quantity</b>
520	41115012001	Plug	1
530	39000005826	Handle	1
535	39000000713	Nut M6	1
540	39000004711	Handle	1
550	39000001532	Handle M8X20	1
555	39000006227	Screw	1
560	39000001034	Wheel D200	2
570	39000000435	Disc	2
590	39000004623	Shaft	1
600	39000000565	Stop	1
610	39000000191	Screw	1
620	39000000199	Disc	1
630	39000001023	Carriage	1
640	39000000439	Cover	1
645	39000001041	Hinge M10	1
650	39000000438	Blade	1
655	39000000207	Pipe	1
660	39000001022	Housing GIM	1
670	39000000240	Screw	1
680	39000000242	Disc	1
690	39000000064	Nut	1
710	39000000723	Screw	1
715	39000000436	Terminal box 112	1
720	39000000241	Screw	1

**Type:** GIMS 150-6  
**Part no.:** 79021900403

<b>Item</b>	<b>Part no.</b>	<b>Designation</b>	<b>Quantity</b>
750	39000000150	Spring GIMS	1
760	39000000475	Crank	2
770	39000001084	Handle M10X100	1
790	39000000082	Bolt M8X30	2
800	39000000432	Screw	1
810	39000001441	Holder	1
820	39000000447	Flange	1
825	39000001086	Screw	1
830	39000000450	Flange	1
835	39000001437	Block	1
840	39000001697	Service kit	1
845	39000001446	Screw	1
850	39000001660	Cover	1
855	39000001315	Fuse	1
860	39000000193	Screw	8
880	39000000630	Screw	1
890	39000001161	Screw	1
900	39000001444	Spacer	5
920	39000000459	Nut	2
930	43041040048	Fillister head screw	4
935	39000001445	Thread spindle	1
940	39000000444	Screw M6X30	4
960	39000001021	Rod	1
970	39000001020	Rod	1

**Type:** GIMS 150-6  
**Part no.:** 79021900403

Item	Part no.	Designation	Quantity
980	39000001019	Cover	1
990	39000000194	Nut	2
1000	39000000435	Disc	2
1020	39000001032	Screw	2
1030	39000000720	Nut	2
1040	39000000171	Handle M8X30	1
1050	39000001031	Cover	1
1060	39000000427	Set screw	2
1090	39000000217	Wheel	3
1120	39000003989	Thread spindle	
	↓		
	39000000502	Thread spindle	1
1130	39000004621	Holder	1
1160	39000004632	Guide pillar	1
1170	39000001024	Fitting	2
1180	39000001439	Clamping collar D32	2
1190	39000001306	Screw	4
1200	39000001305	Nut	4
1210	39000000171	Handle M8X30	1
1220	39000001037	Handle	2
1230	39000000170	Switch 6 kW	1
1240	39000000541	Sheet metal screw	4
1250	39000004635	Plug	1
1270	39000006080	Screw	6
1320	39000004759	Adjustment unit	1

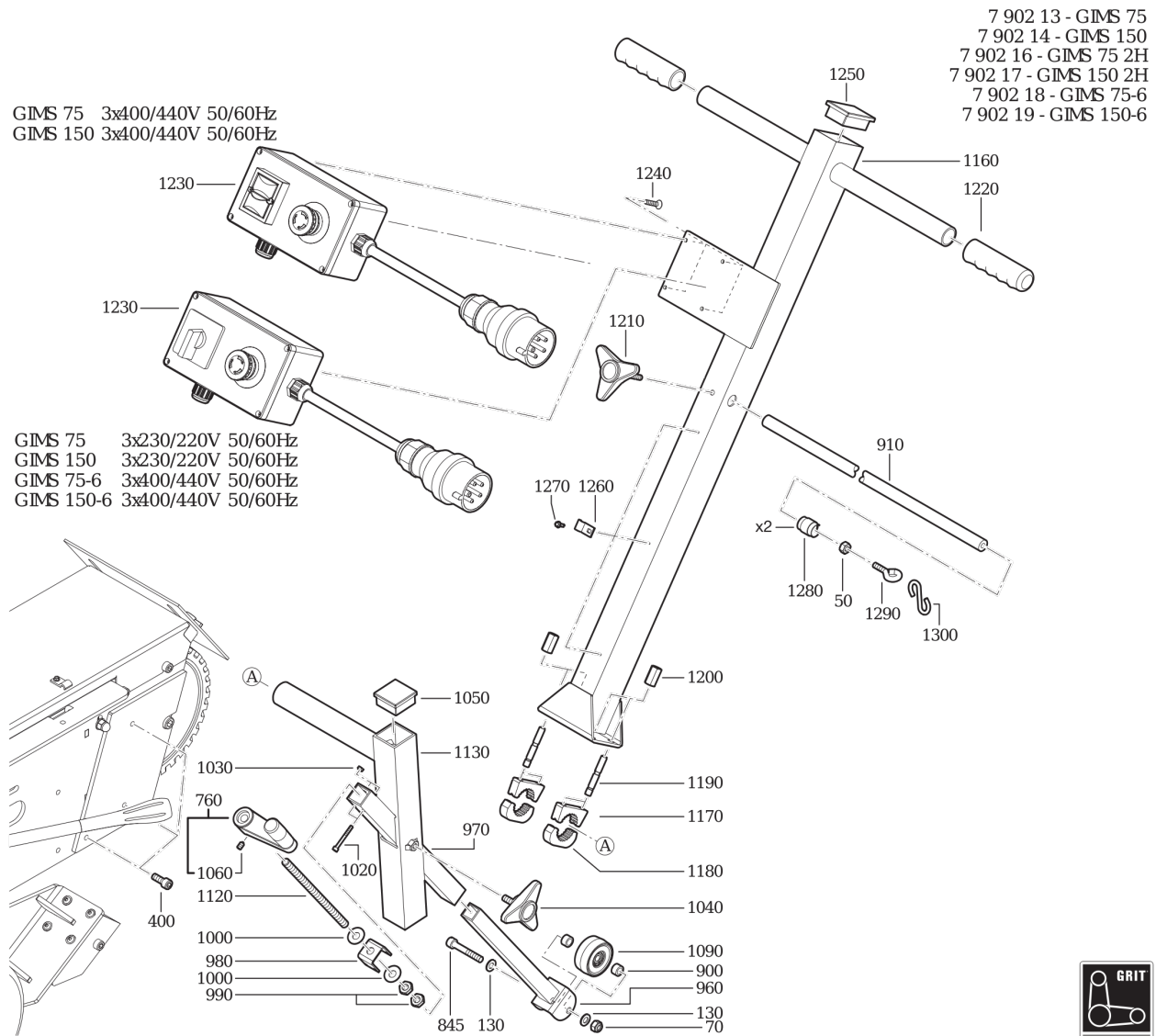
**Type:** GIMS 150-6  
**Part no.:** 79021900403

---

<b>Item</b>	<b>Part no.</b>	<b>Designation</b>	<b>Quantity</b>
1330	39000004625	Cover	1
1340	39000005002	Cover D90	1
1510	39000006387	Screw M5X16	4
1520	39000000059	Nut	4
1540	39000000433	Screw M5x10	4
2000	39000006142	Sign	1
2010	39000006100	Sign	1
2020	32217406002	Sticker	1
2030	39900000155	Information sign	1

Type:  
Part no.:

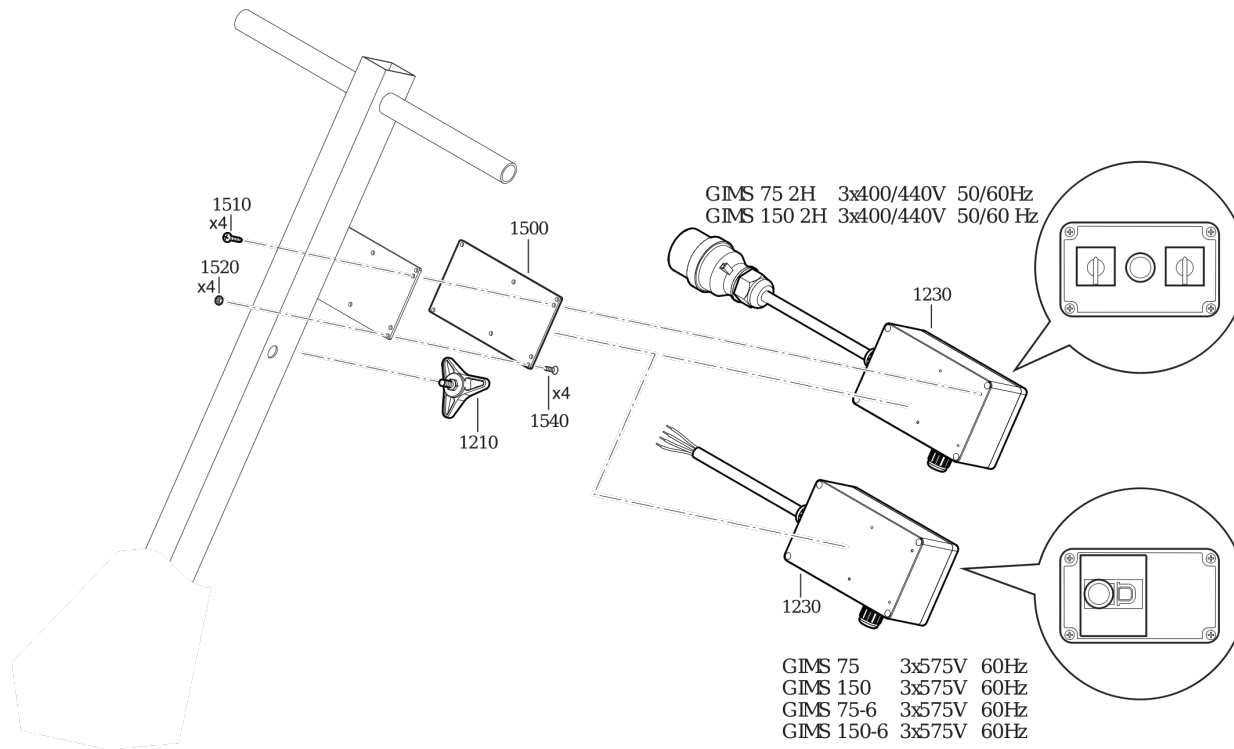
GIMS 150-6  
79021900403



Type:  
Part no.:

GIMS 150-6  
79021900403

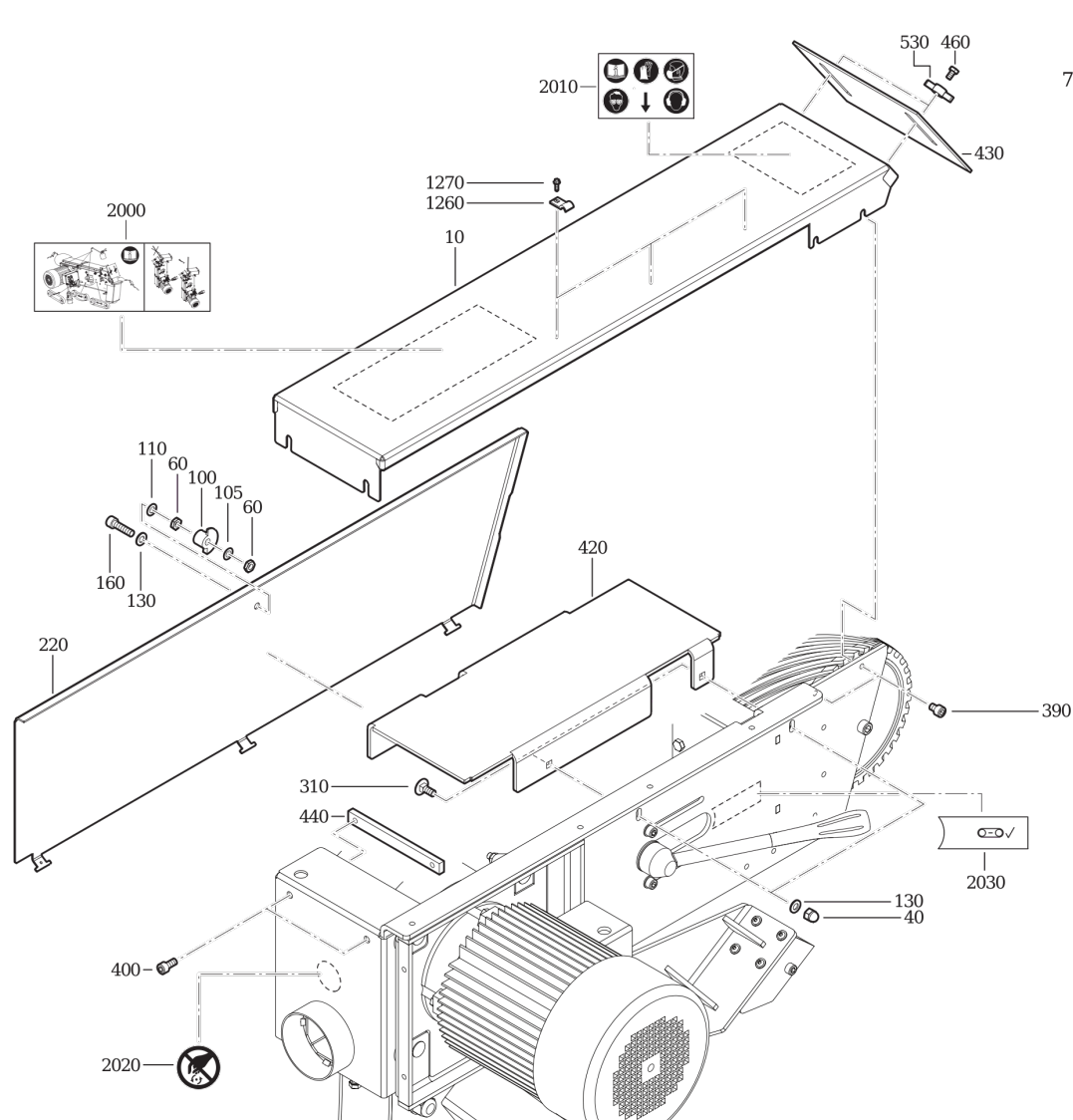
7 902 13 - GIMS 75  
7 902 14 - GIMS 150  
7 902 16 - GIMS 75 2H  
7 902 17 - GIMS 150 2H  
7 902 18 - GIMS 75-6  
7 902 19 - GIMS 150-6





Type:  
Part no.:

GIMS 150-6  
79021900403

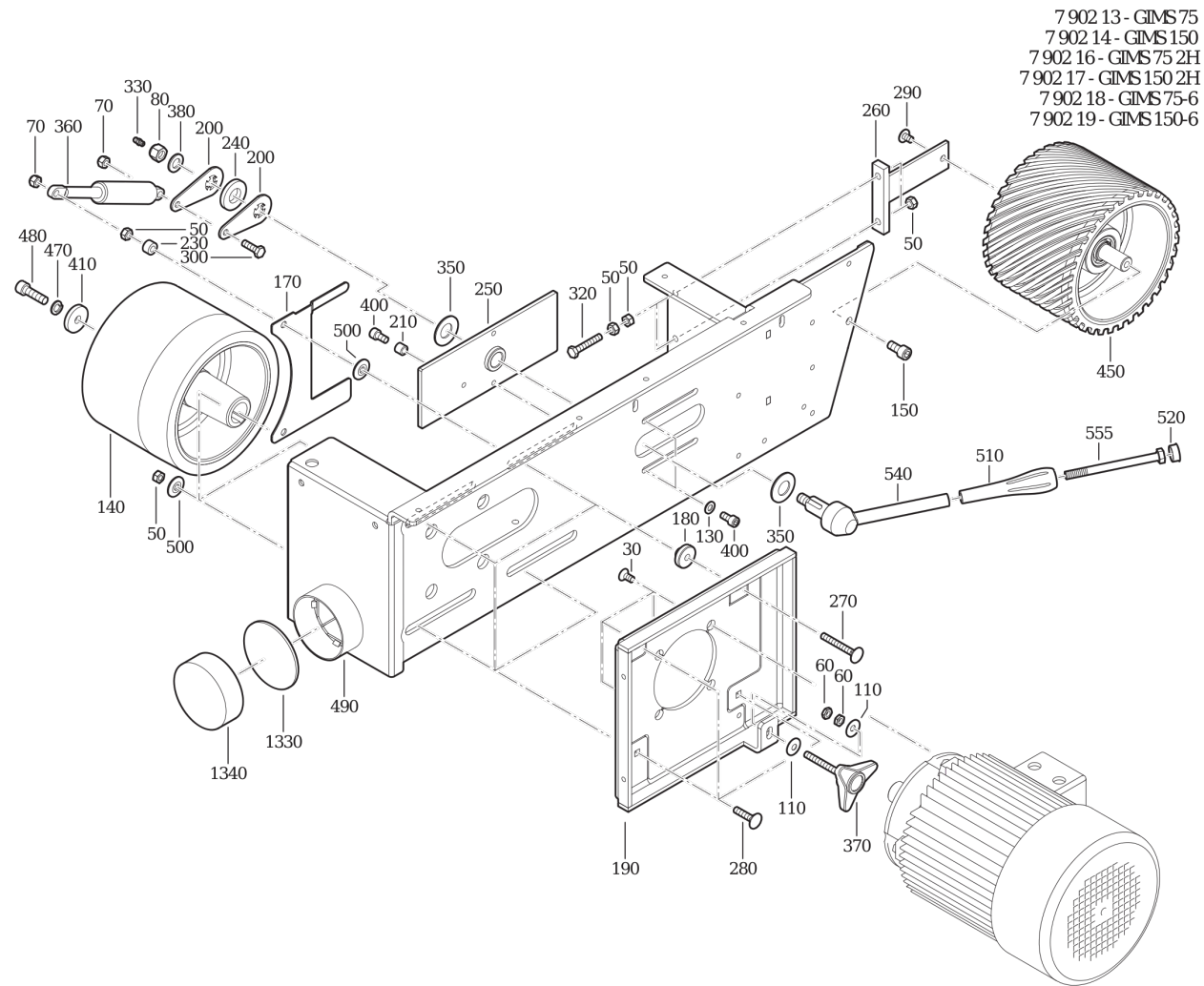


7 902 13 - GIMS 75  
7 902 14 - GIMS 150  
7 902 16 - GIMS 75 2H  
7 902 17 - GIMS 150 2H  
7 902 18 - GIMS 75-6  
7 902 19 - GIMS 150-6



Type:  
Part no.:

GIMS 150-6  
79021900403



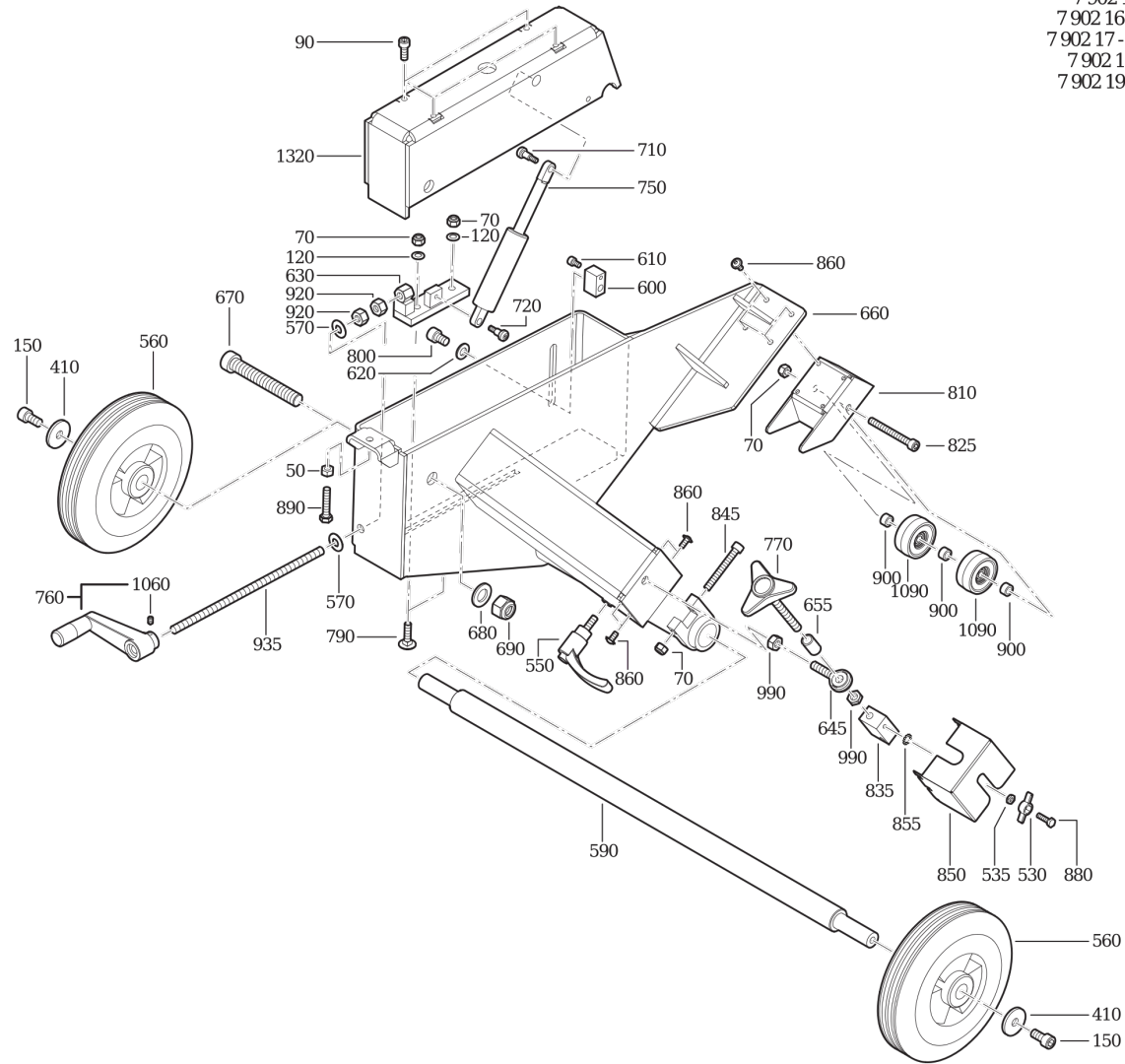
7 902 13 - GIMS 75  
7 902 14 - GIMS 150  
7 902 16 - GIMS 75 2H  
7 902 17 - GIMS 150 2H  
7 902 18 - GIMS 75-6  
7 902 19 - GIMS 150-6



Type:  
Part no.:

GIMS 150-6  
79021900403

7 902 13 - GIMS 75  
7 902 14 - GIMS 150  
7 902 16 - GIMS 75 2H  
7 902 17 - GIMS 150 2H  
7 902 18 - GIMS 75-6  
7 902 19 - GIMS 150-6



**Type:**  
**Part no.:**

GIMS 150-6  
79021900403

7 902 13 - GIMS 75  
7 902 14 - GIMS 150  
7 902 16 - GIMS 75 2H  
7 902 17 - GIMS 150 2H  
7 902 18 - GIMS 75-6  
7 902 19 - GIMS 150-6

