

Type:
Part no.:

GRIT GIS 75
79020900443



Item	Part no.	Designation	Quantity	Price RPR excl. VAT (USD)	AT
0010	39000000156	Motor 4,0KW 3000 RPM	1	on req.	-
0020	39000001194	Switch 3x400V 50 Hz/3x440V 60Hz	1	on req.	-
0027	39000000540	Seal	1	on req.	-
0050	39000000219	Hood	1	on req.	-
0060	39000000218	Blade	1	on req.	-
0080	39000000498	Handle	1	on req.	-
0090	390000003319	Bush	2	on req.	-
0100	39000001148	Flange	1	on req.	-
0110	39000001139	Screw 5x50 mm	1	on req.	-
0120	39000001138	Screw M5X16	3	on req.	-
0130	39000000080	Spring	1	on req.	-
0140	39000000537	Countersunk screw M8X20	3	on req.	-
0150	39000000143	Bolt M8X60	1	on req.	-
0160	390000003331	Disc	1	on req.	-
0170	39000001161	Screw M8X40	1	on req.	-
0180	390000002812	Disc	1	on req.	-
0190	39000000241	Screw	1	on req.	-
0200	39000000434	Screw M8X25	1	on req.	-
0210	39000000105	Shim	1	on req.	-
0220	39000000160	Cup spring 20,4x2	1	on req.	-
0230	39000001158	Lever	1	on req.	-
0240	39000001146	Tensioning arm	1	on req.	-
0250	39000000484	Gas compression spring	1	on req.	-
0260	39000000168	Disc D36/10,5X4	1	on req.	-
0270	39000000006	Drive wheel 200x75 mm	1	on req.	-
0280	39000000529	Screw M6X10	2	on req.	-
0290	39000000827	Screw M10X35	1	on req.	-
0300	39000000111	Screw M8X30	1	on req.	-
0310	39000000724	Circlip	1	on req.	-
0320	39000000167	Fitting	2	on req.	-
0330	39000000005	Contact wheel 200x75 mm	1	on req.	-
0340	390000005826	Handle	2	on req.	-
0350	39000000137	Spark box	2	on req.	-
0360	390000003743	Handle	3	on req.	-
0370	39000001156	Cover	1	on req.	-
0380	39000000044	Nut M8	2	on req.	-
0390	39000000153	Bolt M8x45	2	on req.	-
0400	39000001152	Sanding table	1	on req.	-
0410	39000000047	Nut M8	2	on req.	-
0420	39000001154	Cover	1	on req.	-
0430	39000000130	Cover	1	on req.	-
0440	390000005623	Eye guard	1	on req.	-
0450	39000000097	Handle	1	on req.	-
0460	39000000099	Screw M10X20	1	on req.	-
0470	39000000165	Screw M8X16	4	on req.	-
0480	39000000087	Locking bar	1	on req.	-
0490	39000000089	Cup spring 8,2x0,9 mm	1	on req.	-
0500	39000000090	Disc	4	on req.	-
0510	39000000154	Screw M8X45	2	on req.	-

Type:
Part no.:

GRIT GIS 75
79020900443

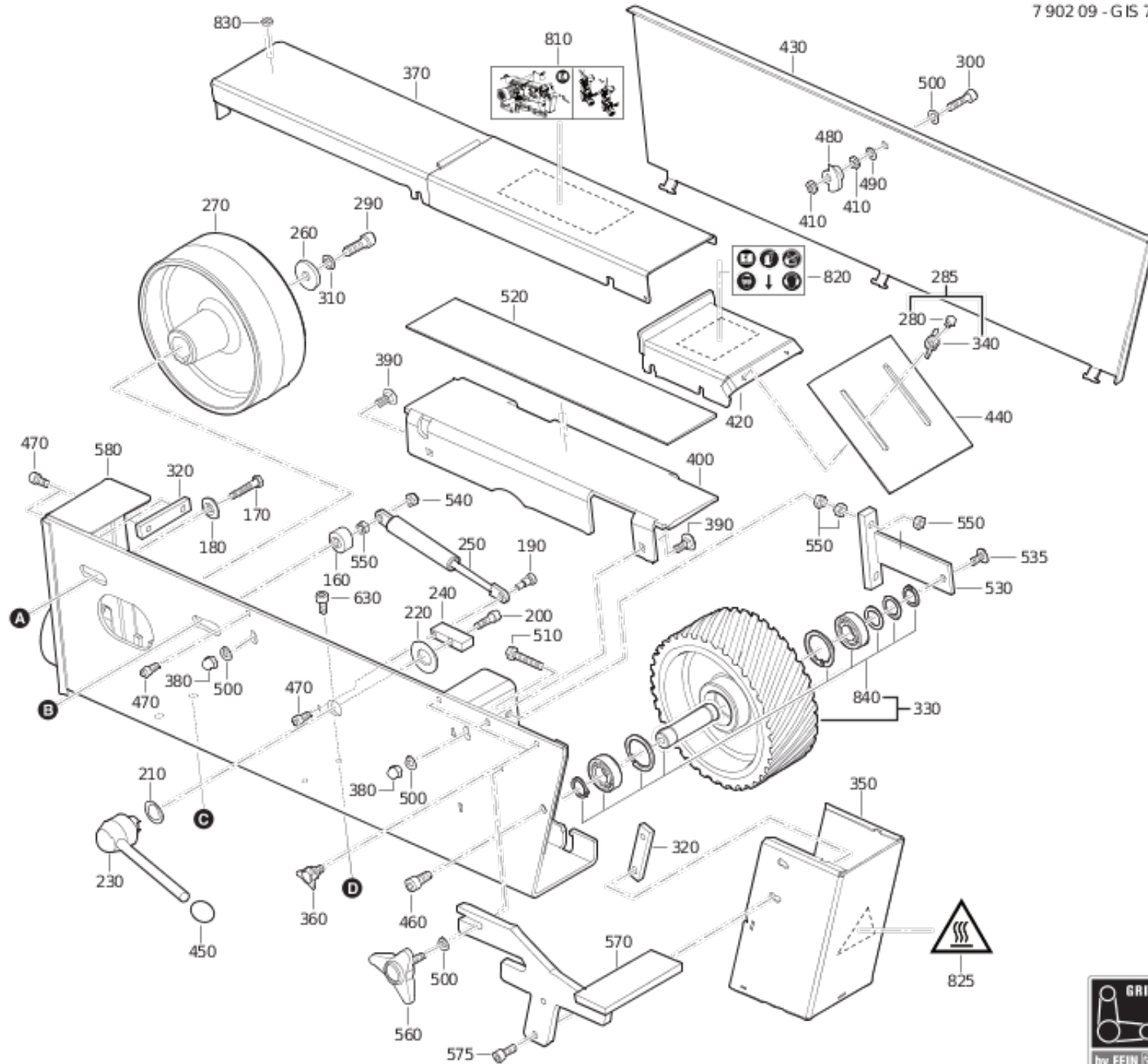


Item	Part no.	Designation	Quantity	Price RPR excl. VAT (USD)	AT
0520	39000005043	Graphite coating 80x430 mm	1	on req.	-
0530	39000000140	Holder	1	on req.	-
0535	39000000048	Screw M8X16	1	on req.	-
0540	39000000061	Nut M8	1	on req.	-
0560	39000000171	Handle M8X30	1	on req.	-
0570	39000000141	Workpiece support	1	on req.	-
0575	39000000083	Screw M8X20	2	on req.	-
0580	39000001157	Housing	1	on req.	-
0630	39000000165	Screw M8X16	4	on req.	-
0650	39000001151	Plate	1	on req.	-
0810	39000006142	Sign	1	on req.	-
0820	39000006100	Sign	1	on req.	-
0830	39000005540	Stop	1	on req.	-
0840	39000001459	Shaft	1	on req.	-
9000	39410013000	Operating instructions GIS 75	1	on req.	-

Type:
Part no.:

GRIT GIS 75
79020900443

7 902 09 - GIS 75



Type:
Part no.:

GRIT GIS 75
79020900443

7 902 09 - GIS 75

