

Type: GX 75 2H 2V
Part no.: 79012200233

Item	Part no.	Designation	Quantity
10	39000001006	Contact wheel	1
15	39000001459	Shaft	1
20	39000000515	Flange	1
30	39000001103	Drive wheel	1
40	39000000516	Cover	1
50	39000000517	Sanding table	1
60	39000000087	Locking bar	1
65	39000006362	Disc	1
70	39000000518	Cover	1
80	39000000519	Bush	3
90	39000005129	Eye guard	1
95	39000004673	Support	1
100	39000000085	Handle M8	1
110	39000000484	Gas compression spring	1
120	39000000160	Cup spring 20,4x2	2
130	39000001158	Lever	1
140	39000000099	Screw	1
150	39000000521	Workpiece support	1
160	39000000090	Disc	7
170	39000000171	Handle M8X30	1
180	39000000522	Holder	1
190	39000000048	Screw	1
200	39000000097	Handle	1
210	39000004657	Housing	1

Type: GX 75 2H 2V
Part no.: 79012200233

Item	Part no.	Designation	Quantity
212	39000001151	Plate	1
213	39000000083	Screw	4
215	39000004699	Clutch part Links	1
216	39000004698	Clutch part Rechts	1
220	39000000528	Nut	3
240	39000000525	Disc	1
250	39000000198	Circlip	1
260	39000000061	Nut	1
270	39000000498	Handle	1
280	39000000527	Screw	1
290	39000005043	Graphite coating 80x430 mm	1
300	39000005826	Handle	2
310	39000000529	Screw	2
320	39000000047	Nut	2
330	39000000089	Cup spring 8,2x0,9 mm	2
340	39000000111	Screw	1
350	39000006310	Feather key	1
400	39000000199	Disc	2
410	39000000062	Nut	1
420	39000000474	Handle M8X20	2
430	99001010001	Machine base GX/GIS	1
440	39000000537	Countersunk screw	4
450	39000000080	Spring	1
460	39000004659	Tensioning arm	1

Type: GX 75 2H 2V
Part no.: 79012200233

Item	Part no.	Designation	Quantity
470	39000000241	Screw	1
475	39000000434	Screw	1
480	39000000539	Bush	1
490	39000000045	Nut	2
500	39000000540	Seal	1
510	39000000541	Sheet metal screw	3
520	39000000082	Bolt M8X30	1
530	39000000542	Bolt M8X50	1
540	39000004756	Adapter Schalter	1
550	39000001162	Screw	1
560	39000000054	Bolt M8X16	2
570	39000000044	Nut	2
610	39000000153	Bolt M8x45	2
620	39000000146	Screw	1
630	39000001138	Screw	4
640	39000001139	Screw	4
650	39000000479	Flap switch	1
654	39000004494	Service kit	1
656	39000001563	Flange B14	1
658	39000001699	Cover 3 KW	1
660	39000000491	Blade	1
662	39000000720	Nut	6
664	43041040048	Fillister head screw	4
666	39000000444	Screw M6X30	4

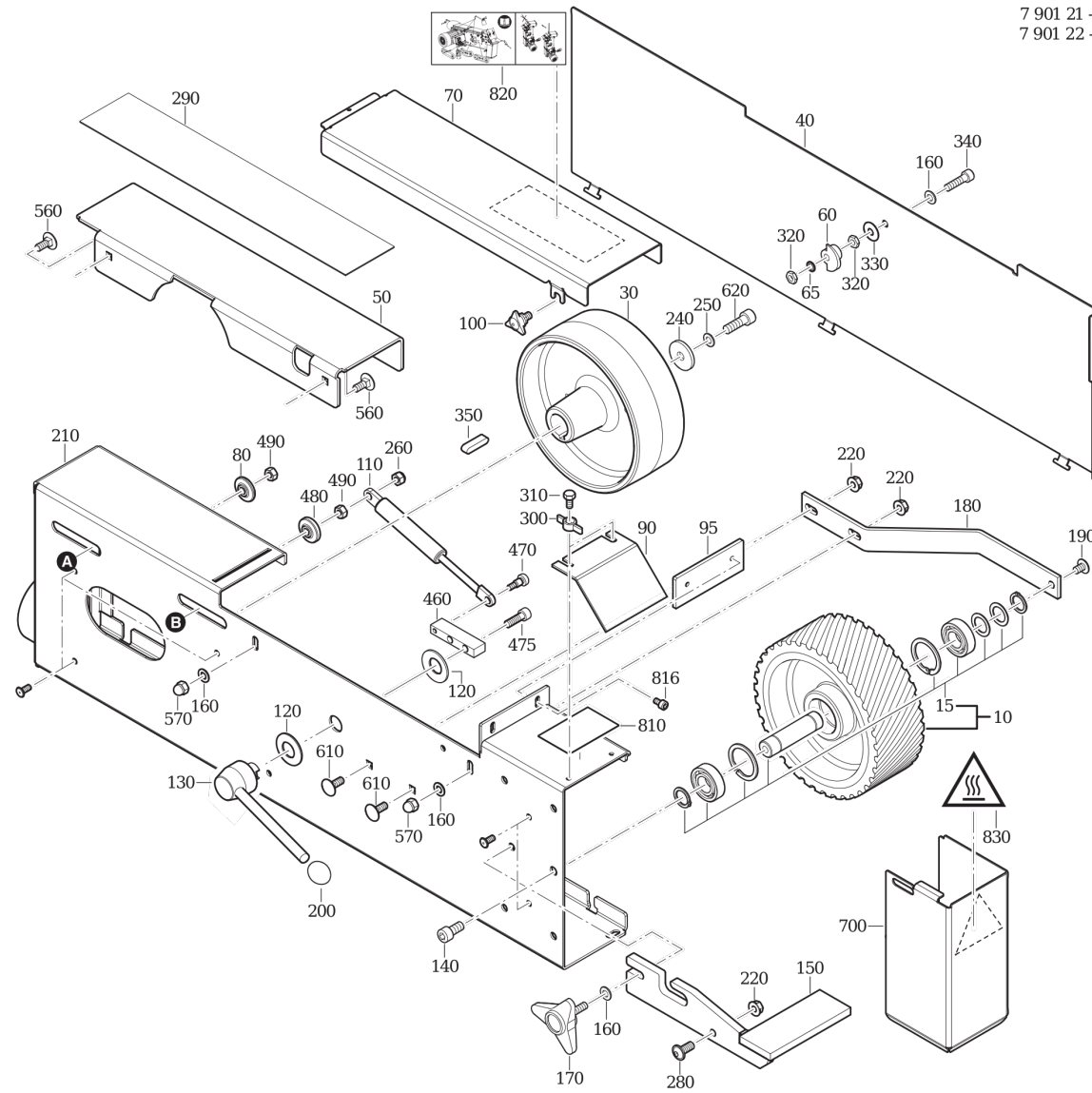
Type: GX 75 2H 2V
Part no.: 79012200233

Item	Part no.	Designation	Quantity
670	39000000211	Hood MA 90	1
680	39000001094	Motor 1,5/2,0KW 3x230V	1
690	39000000495	Switch GX752V2H 3x230V 50/60Hz	1
700	39000004660	Spark box	1
810	39000006100	Sign	1
816	39000000149	Screw M6X8	2
820	39000006142	Sign	1
830	39000006105	Sign	1

Type:
Part no.:

GX 75 2H 2V
79012200233

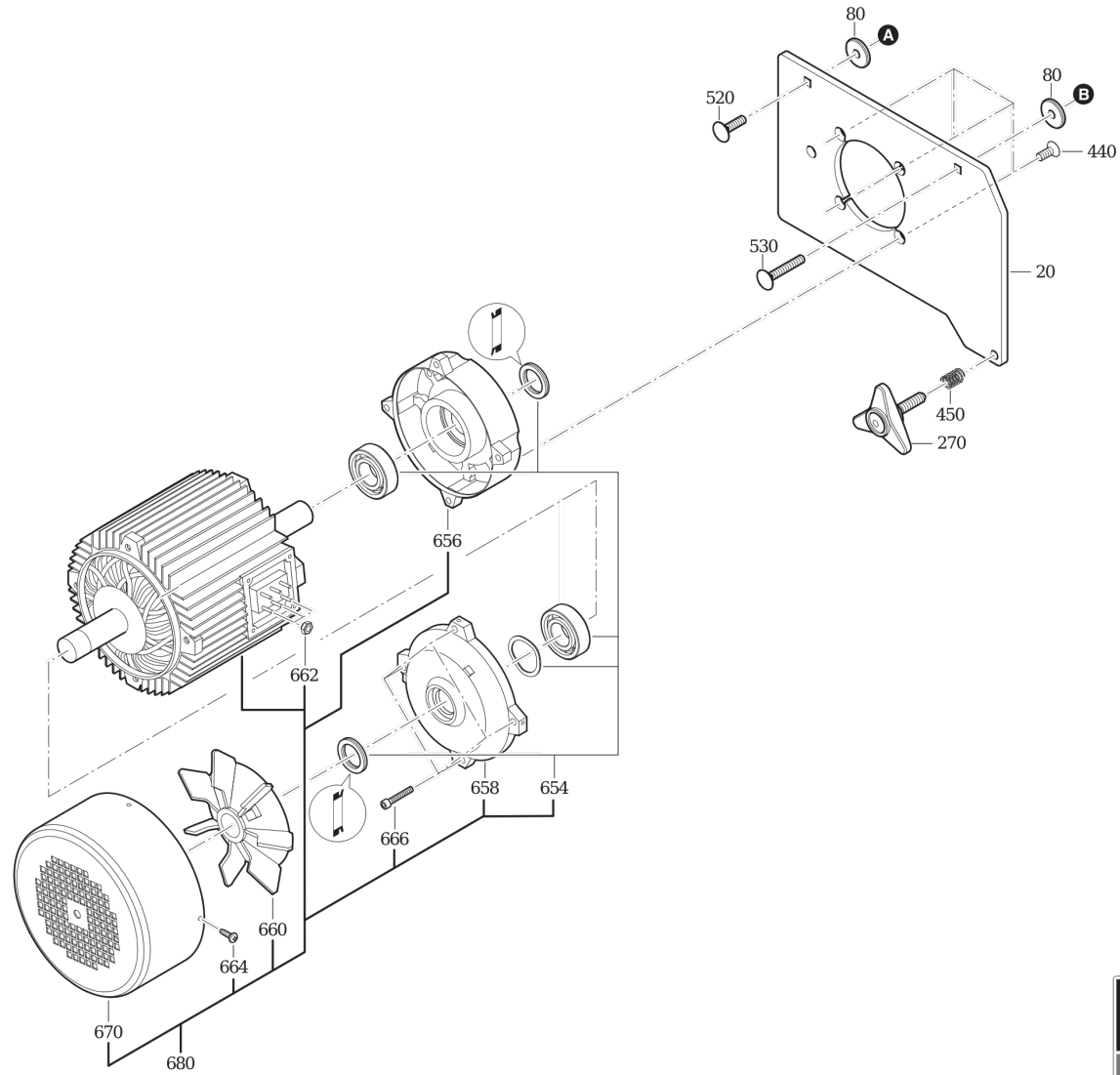
7 901 21 - GX 75
7 901 22 - GX 75 2H



Type:
Part no.:

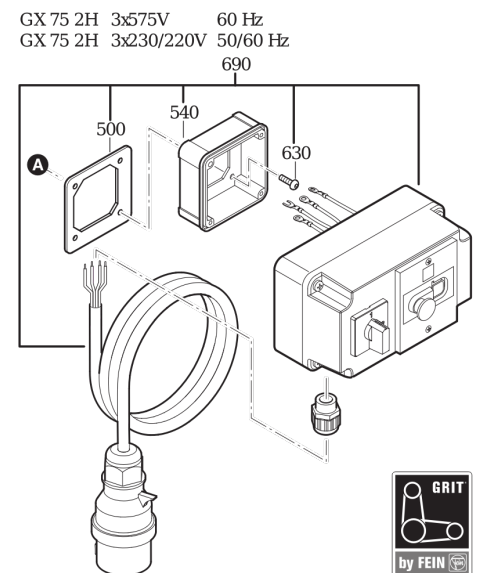
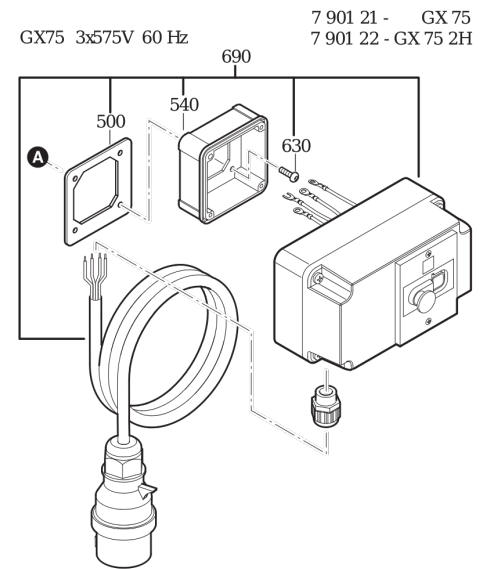
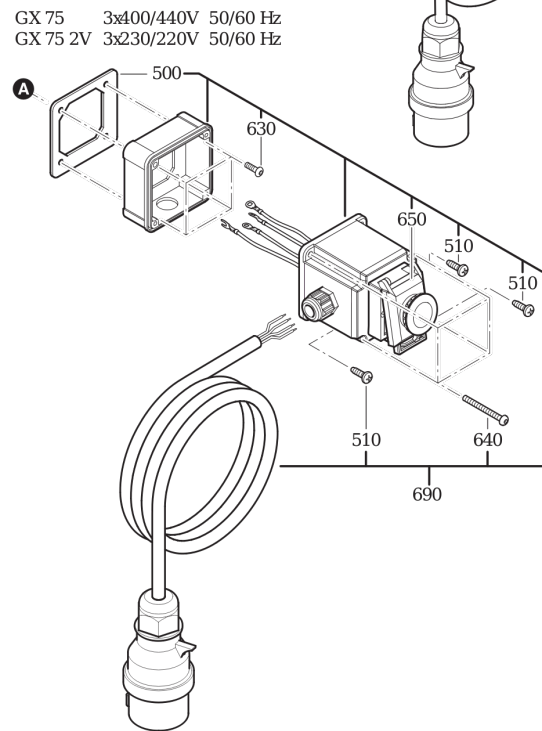
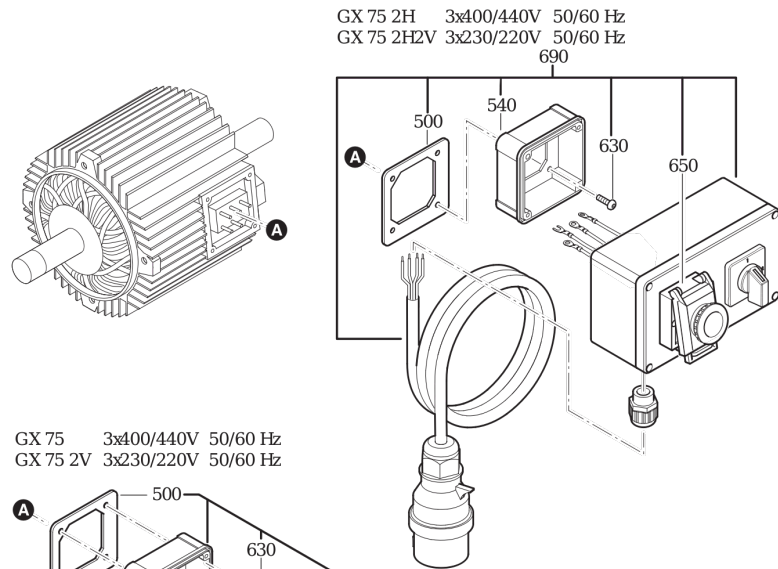
GX 75 2H 2V
79012200233

7 901 21 - GX 75
7 901 22 - GX 75 2H



Type:
Part no.:

GX 75 2H 2V
79012200233



Type:
Part no.:

GX 75 2H 2V
79012200233

7901 21 - GX 75
7901 22 - GX 75 2H

