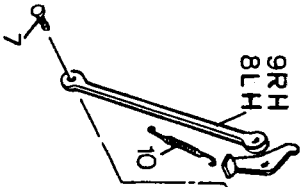
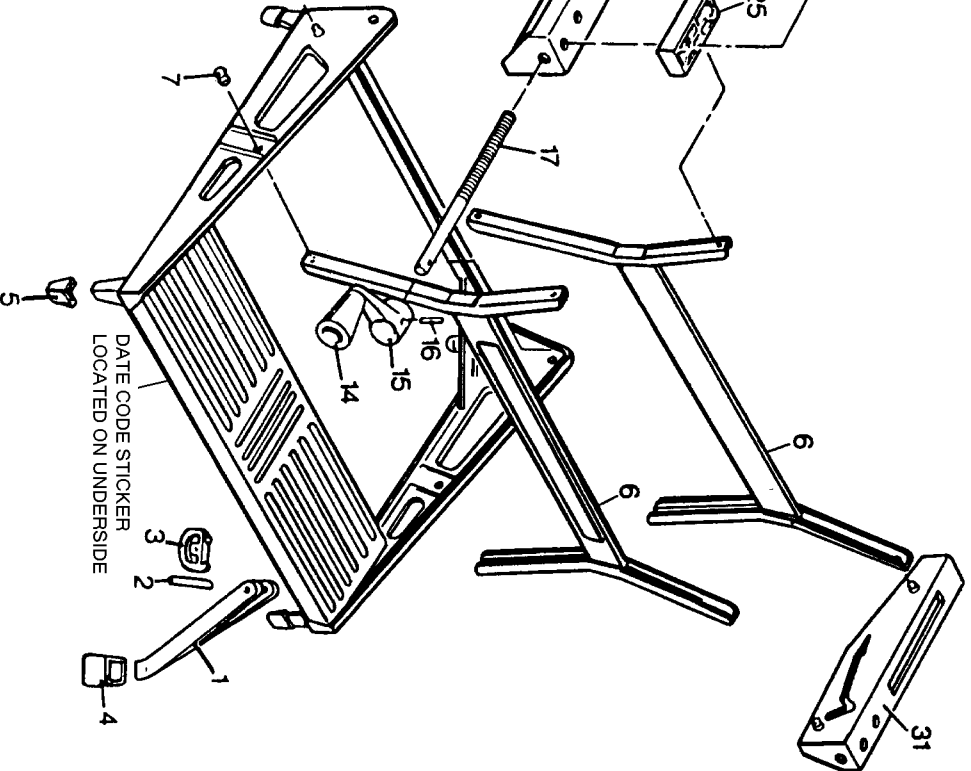


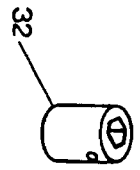
846



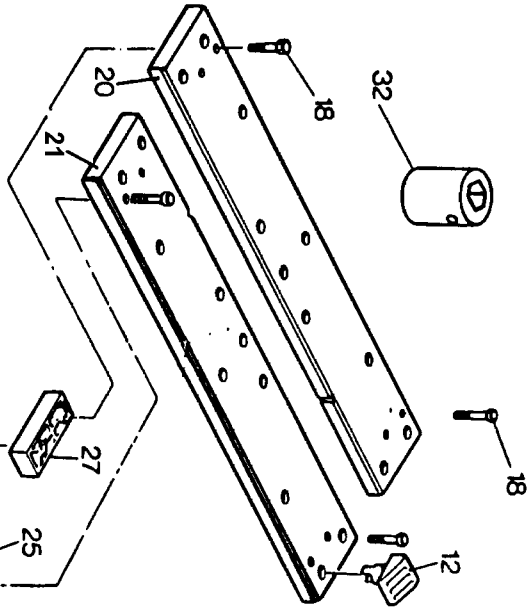
9RH
8LH



DATE CODE STICKER
LOCATED ON UNDERSIDE

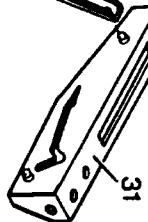


32



18

12



31

Parts List for 79-131 Type 6

Item Number	Part Number	Description	Qty Required
1	242415-01	LEG	4
2	242400-01	AXLE	4
3	242416-00	CATCH,LEG	4
4	242393-00	BOOT,FOOT	4
5	242394-00	FOOT,TRESTLE	4
6	000000-00	No Longer Available	2
7	242434-00	RIVET	10
8	242431-01	STAY,LH SIDE	1
9	242430-01	STAY,RH SIDE	1
10	242425-00	SPRING,TENSION	2
12	807530-02	GRIP	4
14	242440-00	KNOB,SNAP-IN	2
15	242302-00	ARM,HANDLE	2
16	242311-00	PIN,ROLL	2
17	242565-00	SCREW,WISE	2
18	98025-40	BOLT	4
20	000000-00	No Longer Available	1
21	000000-00	No Longer Available	1
24	5140047-14	PIVOT NUT	2
25	242436-01	BLOCK,F.SLIDE	2
27	243024-00	SLIDE INDEX BKT	2
30	000000-00	No Longer Available	1
31	000000-00	No Longer Available	1
32	242437-00	SOCKET	1
34	000000-00	No Longer Available	1
846	000000-00	No Longer Available	1