

Type:
Part no.:

MSfo 870-1d (300Hz,200V)
78207700260



Item	Part no.	Designation	Quantity	Price RPR excl. VAT (USD)	AT
0010	52812005160	Motor housing with stator	1	on req.	-
0025	33508030020	Rotor	1	on req.	-
0210	31206063008	Gearbox housing	1	on req.	-
0220	41701303024	Grooved ball bearing	1	on req.	-
0230	32411064001	Disc	1	on req.	-
0240	30601075008	Felt ring	1	on req.	-
0250	32436025004	Flange	1	on req.	-
0260	43002058056	Cylinder head screw M5X20	3	on req.	-
0261	42443004057	Circlip M5	3	on req.	-
0270	32624029026	Disc 29X0,1	1	on req.	-
0270	32624029032	Disc 29X0,3	1	on req.	-
0280	40221016000	Feather key	1	on req.	-
0295	33809133014	Bevel gear	1	on req.	-
0300	30501240009	Bush	1	on req.	-
0310	42401004083	Disc M8	1	on req.	X
0320	42019001088	Nut	1	on req.	-
0330	41706002002	Needle bearing	1	on req.	-
0340	42616020004	Circlip	1	on req.	-
0350	32419145010	Bearing plate	1	on req.	-
0360	32411066008	Disc	1	on req.	-
0370	30601049000	Felt ring	1	on req.	-
0380	42639008005	Sealing ring	1	on req.	-
0390	41701224024	Grooved ball bearing	1	on req.	-
0400	32416058009	Plate	1	on req.	-
0410	43050002049	Cylinder head screw M4X12	3	on req.	-
0420	33406102009	Shaft	1	on req.	-
0430	40221030007	Feather key	1	on req.	-
0450	42641001002	Circlip	1	on req.	-
0460	32624068028	Disc 68X0,1	1	on req.	-
0460	32624068034	Disc 68X0,3	1	on req.	-
0470	40612002009	Sealing ring	1	on req.	-
0480	43033014058	Cylinder head screw M5X25	4	on req.	-
0490	40611001002	Sealing ring	4	on req.	-
0610	31207061002	Housing	1	on req.	-
0620	30501237005	Sleeve	1	on req.	-
0630	41701213027	Grooved ball bearing	1	on req.	-
0640	32415044006	Disc	1	on req.	-
0641	42640011002	Sealing ring	1	on req.	-
0650	40221003006	Feather key	1	on req.	-
0660	31001116001	Fan wheel	1	on req.	-
0670	42401004083	Disc M8	1	on req.	X
0680	42019001088	Nut	1	on req.	-
0690	31207060003	Housing	1	on req.	-
0700	32427049008	Cover	1	on req.	-
0710	43033045062	Cylinder head screw M6X110	3	on req.	-
0720	42443005064	Circlip M6	3	on req.	-
0730	43003035048	Flat headed screw	1	on req.	-
0731	42439013046	Lock washer	1	on req.	-
0732	42404005048	Disc	1	on req.	-

Type:
Part no.:

MSfo 870-1d (300Hz,200V)
78207700260

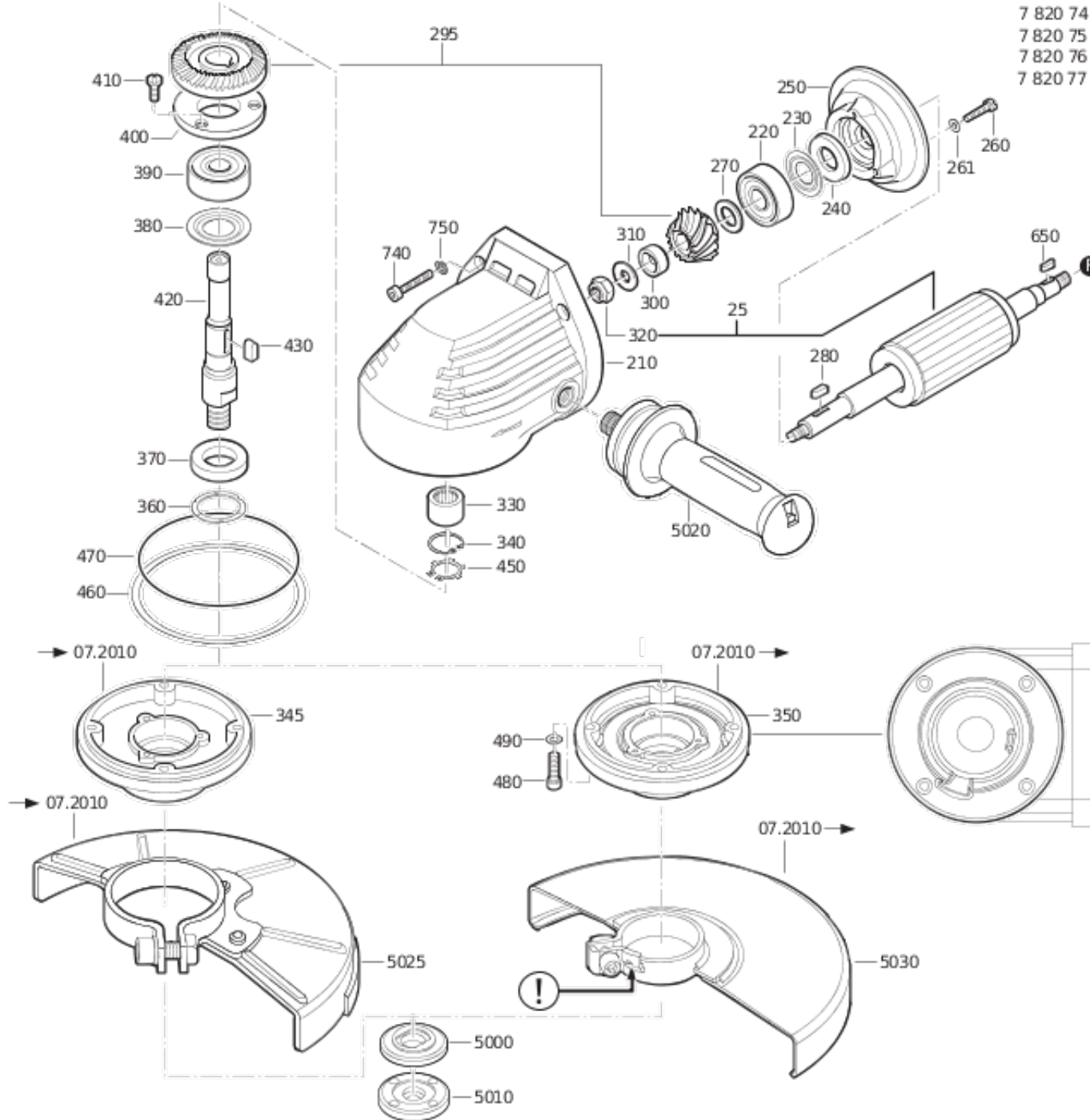


Item	Part no.	Designation	Quantity	Price RPR excl. VAT (USD)	AT
0740	43033014058	Cylinder head screw M5X25	4	on req.	-
0750	42443004057	Circlip M5	4	on req.	-
0760	43033016055	Cylinder head screw M5X35	4	on req.	-
0770	42443004057	Circlip M5	4	on req.	-
0800	31408056000	Insulation board	1	on req.	-
0810	31413122001	Insulating hose	1	on req.	-
0820	30605049003	Seal	1	on req.	-
0920	31204179010	Handle half shell	1	on req.	-
0930	30701272010	Switch	1	on req.	-
0940	43041035047	Fillister head screw	2	on req.	-
0950	31324121000	Seal	1	on req.	-
0960	32431042008	Cable clamping piece	1	on req.	-
0970	43070035002	Screw	1	on req.	-
0980	31324123000	Housing	1	on req.	-
0990	31412063000	Terminal	2	on req.	-
1000	30719640010	Connecting cable	1	on req.	-
1010	30605042008	Plate	1	on req.	-
1020	30706335010	Cable	1	on req.	-
1030	31413094007	Cable grommet	1	on req.	-
1040	31204180000	Handle half shell	1	on req.	-
1050	43070031003	Screw	3	on req.	-
1055	43070038007	Screw	1	on req.	-
5000	63801120006	Inner flange	1	on req.	-
5010	63802052000	Threaded flange	1	on req.	-
5020	32119117015	anti-vibration handle	1	on req.	-
5030	31810269020	Safety hood	1	on req.	-
5040	62903011005	Jaw spanner SW17	1	on req.	-
5050	62907004005	Allen key SW6	1	on req.	-
5060	62910022002	Bidirectional nut spanner	1	on req.	-
6000	32160003135	Lubricant tube 0,085 kg	1	on req.	-
9000	34101066060	Operating instructions	1	on req.	-
9010	34151066030	List of spare parts MSfo870-1 c/d	1	on req.	-
9020	34130054061	Safety instruction	1	on req.	-

Type:
Part no.:

MSfo 870-1d (300Hz,200V)
78207700260

- 7 820 74 - MSfo 870-1c
- 7 820 75 - MSfo 870-1c
- 7 820 76 - MSfo 870-1d
- 7 820 77 - MSfo 870-1d



Type:
Part no.:

MSfo 870-1d (300Hz,200V)
78207700260

7 820 74 - MSfo 870-1c
7 820 75 - MSfo 870-1c
7 820 76 - MSfo 870-1d
7 820 77 - MSfo 870-1d

