

Type:
Part no.:

MSfo 852-1c (300Hz,200V)
78207100260



Item	Part no.	Designation	Quantity	Price RPR excl. VAT (USD)	AT
0010	31903098002	Motor housing	1	on req.	-
0015	52810006160	Motor housing with stator	1	on req.	-
0030	51810006160	Stator	1	on req.	-
0040	43011005051	Set screw M5X10	2	on req.	-
0085	33502037014	Rotor	1	on req.	-
0200	31206025004	Gearbox housing	1	on req.	-
0210	41701213027	Grooved ball bearing	1	on req.	-
0220	32411058001	Disc	1	on req.	-
0230	30601050002	Felt ring	1	on req.	-
0240	32418022009	Connecting piece	1	on req.	-
0250	43050006048	Cylinder head screw M4X16	3	on req.	-
0270	42640011002	Sealing ring	1	on req.	-
0280	32624029026	Disc 29X0,1	1	on req.	-
0280	32624029032	Disc 29X0,3	1	on req.	-
0290	40221016000	Feather key	1	on req.	-
0310	32601106002	Ring	1	on req.	-
0330	42404016081	Disc	1	on req.	-
0340	42019001088	Nut	1	on req.	-
0350	32419143010	Bearing plate	1	on req.	-
0351	32411062009	Disc	1	on req.	-
0360	30601049000	Felt ring	1	on req.	-
0370	42639008005	Sealing ring	1	on req.	-
0380	41701224024	Grooved ball bearing	1	on req.	-
0390	32416058009	Plate	1	on req.	-
0400	42443003043	Circlip M4	3	on req.	-
0410	43002033045	Cylinder head screw M4X10	3	on req.	-
0420	33406082002	Shaft	1	on req.	-
0430	40223026004	Feather key	1	on req.	-
0445	33809081013	Bevel gear	1	on req.	-
0450	42641001002	Circlip	1	on req.	-
0460	41706002002	Needle bearing	1	on req.	-
0470	42616020004	Circlip	1	on req.	-
0480	32624055024	Disc 55X0,1	1	on req.	-
0480	32624055030	Disc 55X0,3	1	on req.	-
0490	40612002009	Sealing ring	1	on req.	-
0500	40611001002	Sealing ring	4	on req.	-
0510	43033012056	Cylinder head screw M5X20	4	on req.	-
0600	41701007038	Grooved ball bearing	1	on req.	-
0610	40221003006	Feather key	1	on req.	-
0620	31001085002	Fan wheel	1	on req.	-
0640	42402003067	Disc	1	on req.	-
0650	42019008060	Nut	1	on req.	-
0660	30605014003	Seal	1	on req.	-
0670	30502058000	Sleeve	1	on req.	-
0680	43003048058	Flat headed screw M5X8	1	on req.	-
0690	31207047000	Housing	1	on req.	-
0700	43033016055	Cylinder head screw M5X35	2	on req.	-
0710	42443004057	Circlip M5	2	on req.	-
0720	43003032042	Flat headed screw	1	on req.	-

Type:
Part no.:

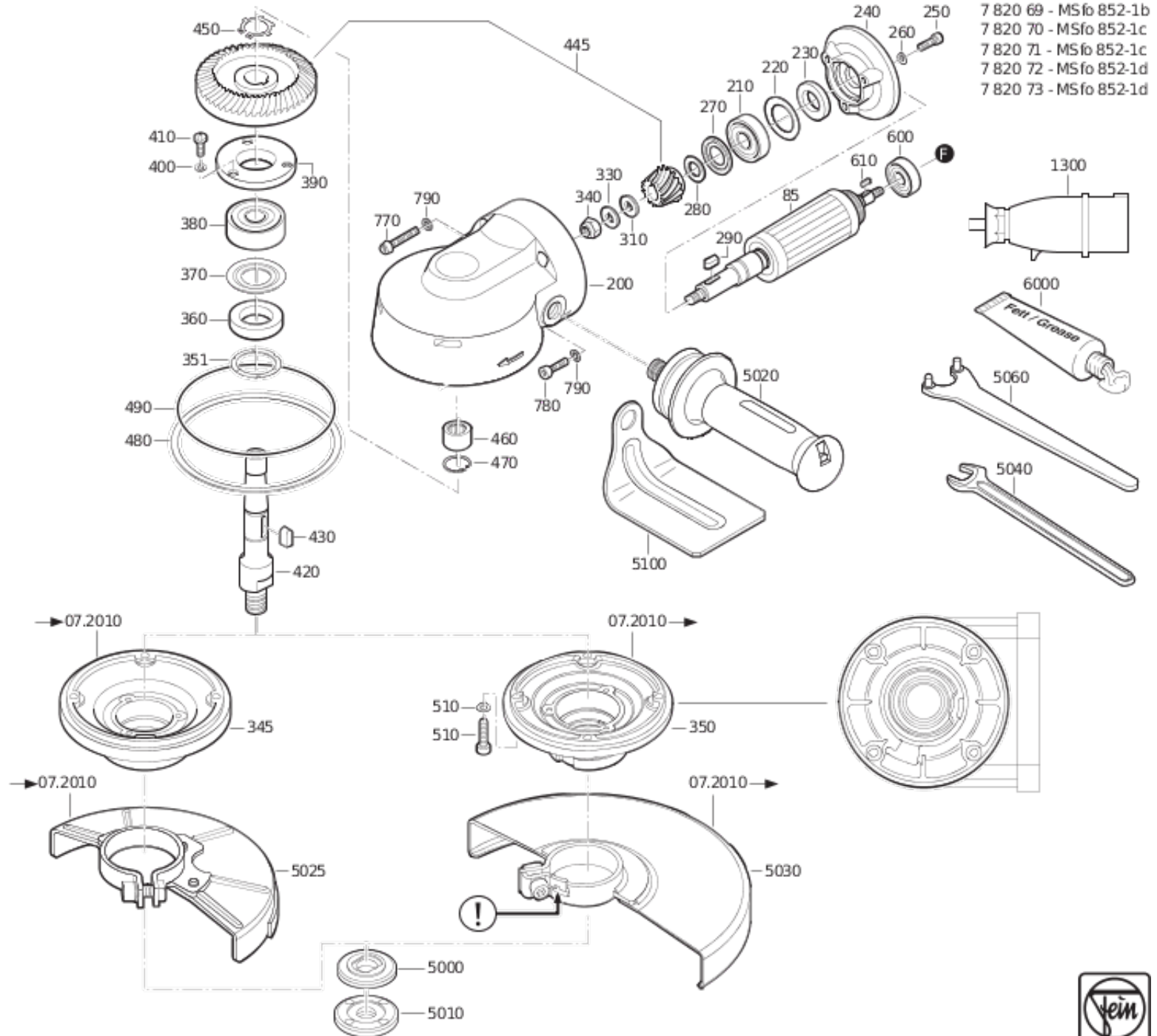
MSfo 852-1c (300Hz,200V)
78207100260



Item	Part no.	Designation	Quantity	Price RPR excl. VAT (USD)	AT
0721	42439013046	Lock washer	1	on req.	-
0722	42404005048	Disc	1	on req.	-
0730	32427036003	Cover	1	on req.	-
0740	31408056000	Insulation board	1	on req.	-
0750	43033016055	Cylinder head screw M5X35	4	on req.	-
0760	42443004057	Circlip M5	4	on req.	-
0770	43033014058	Cylinder head screw M5X25	2	on req.	-
0780	43033062051	Cylinder head screw M5X16	1	on req.	-
0790	42443004057	Circlip M5	3	on req.	-
0920	31204179010	Handle half shell	1	on req.	-
0930	30701272010	Switch	1	on req.	-
0940	43041035047	Fillister head screw	2	on req.	-
0950	31324121000	Seal	1	on req.	-
0960	32431042008	Cable clamping piece	1	on req.	-
0970	43070035002	Screw	1	on req.	-
0980	31324123000	Housing	1	on req.	-
0990	31412063000	Terminal	2	on req.	-
1000	30719640010	Connecting cable	1	on req.	-
1010	30605042008	Plate	1	on req.	-
1020	30706338010	Cable	1	on req.	-
1030	31413094007	Cable grommet	1	on req.	-
1040	31204180000	Handle half shell	1	on req.	-
1050	43070031003	Screw	3	on req.	-
1055	43070038007	Screw	1	on req.	-
5000	63801120006	Inner flange	1	on req.	-
5010	63802052000	Threaded flange	1	on req.	-
5020	32119117015	anti-vibration handle	1	on req.	-
5030	31810271020	Safety hood	1	on req.	-
5040	62903011005	Jaw spanner SW17	1	on req.	-
5060	62910022002	Bidirectional nut spanner	1	on req.	-
6000	32160003135	Lubricant tube 0,085 kg	1	on req.	-
9000	34101066060	Operating instructions	1	on req.	-
9010	34151066010	List of spare parts MSfo852-1 b/c/d	1	on req.	-
9020	34130054061	Safety instruction	1	on req.	-

Type:
Part no.:

MSfo 852-1c (300Hz,200V)
78207100260



Type:
Part no.:

MSfo 852-1c (300Hz,200V)
78207100260

7 820 69 - MSfo 852-1b
7 820 70 - MSfo 852-1c
7 820 71 - MSfo 852-1c
7 820 72 - MSfo 852-1d
7 820 73 - MSfo 852-1d

