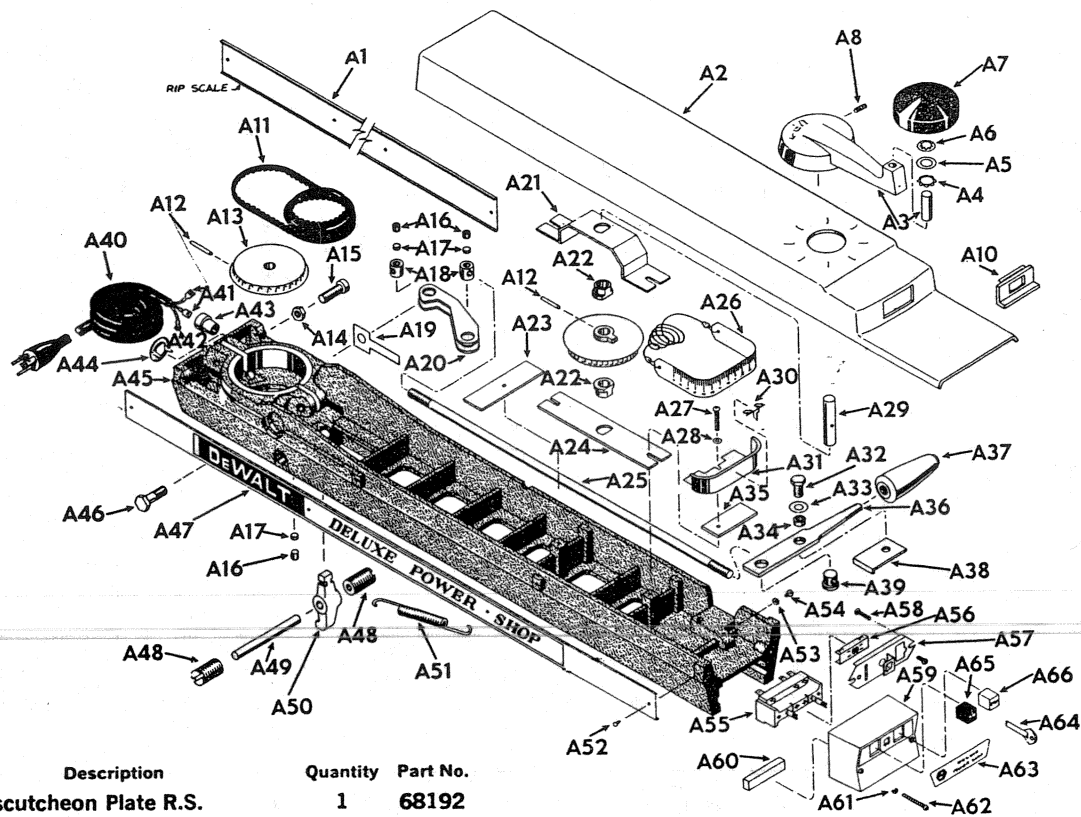


Arm

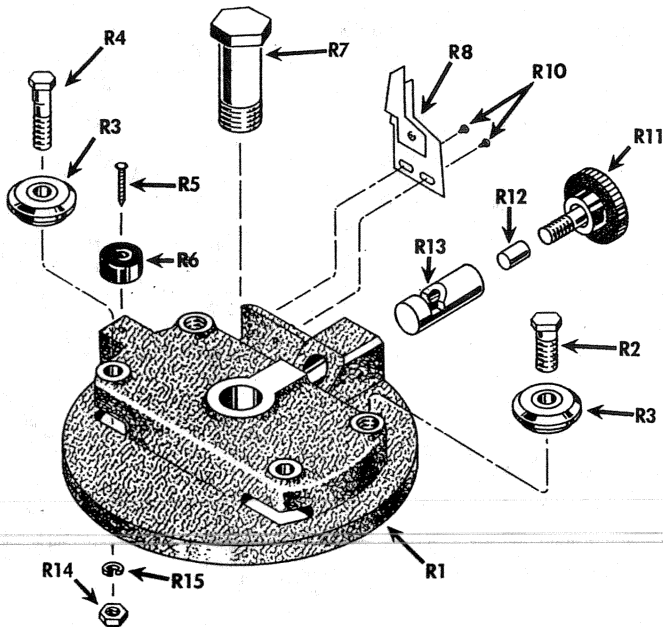


Identification	Description	Quantity	Part No.
A 1	Escutcheon Plate R.S.	1	68192
A 2	Arm Shroud	1	81240-03
	Elev. Arm Assembly (Includes items A3 through A9)	1	203646-02
A 3	Elevating Arm & Pin	1	203645
A 4	External Spring Grip Washer	1	80683
A 5	Flat Washer (3/8")	1	82485
A 6	Spring Grip Washer	1	80684
A 7	Elevating Grip	1	80056-01
A 8	Cup Pt. Set Screw (1/4-20 x 1/2")	1	80648
A 10	Miter Window Holder	1	83752
A 11	Timing Belt	1	81273
A 12	Roll Pin (1/2 x 1")	2	82540
A 13	Timing Belt Sprocket	2	81272
A 14	Jam Nut (1/16-18)	2	80467
A 15	Soc. Hd. Cap Screw (1/16-18 x 1 1/4")	2	82172
A 16	Cup Pt. Set Screw (1/4-20 x 1/4")	4	82387
A 17	Set Screw Slug	4	103522
A 18	Clamp Lever Pin	2	81261
A 19	Wear Spring	1	81263
A 20	Arm Clamp Cam	1	81262
A 21	Upper Bracket & Bushing (Includes A22)	1	81280
A 22	Bracket Bushing	2	81270
A 23	Cross Brace	1	81267
A 24	Lower Bracket & Bushing (Includes A22)	1	81279
A 25	Clamp Rod	1	81260
A 26	Miter Scale and Wire	1	83756
A 27	Rd. Hd. Machine Screw (10-24 x 5/8") (Phillips)	2	80817
A 28	Flat Washer (1/2 O.D. x 1/2" I.D.)	2	80670
A 29	Shaft	1	81271
A 30	Pointer	1	83708
A 31	Miter Scale plate	1	81274
A 32	Hex Hd. Cap Screw (1/16-18 x 5/8")	1	82144
A 33	Washer	1	80457
A 34	Spacer	1	81257
A 35	Cable Clamp	1	80999
A 36	Control Handle	1	81255

Identification	Description	Quantity	Part No.
A 37	Handle Grip	1	80459-01
A 38	Handle Guard	1	81258
A 39	Pivot Pin	1	81259
A 40	Cord & Plug (Include A41, A42)	1	81373
A 41	Spade Connectors	2	80201
A 42	Lead Terminals	1	1747
A 43	Cord Bushing	1	33305
A 44	Adaptor	1	80485
A 45	Arm	1	81238-02
A 46	Hex Hd. Cap Screw (3/8-16 x 2")	1	80165
A 47	Escutcheon Plate L.S.	1	68195
A 48	Miter Adj. Screw	2	83122
A 49	Dowel Pin	1	83121
A 50	Miter Latch	1	83123
A 51	Miter Latch Spring	1	81266
A 52	Pan Hd. Thd. forming Screw (6-32 x 3/8") (Phillips)	8	83103
A 53	External Lockwasher (#8)	1	33985
A 54	Pan Hd. Taptite Screw (8-32 x 3/8")	1	80489
	Switch Assembly (Includes A55 through A58 and A65, A66)	1	203885-01
A 55	Switch	1	203194-01
A 56	Switch Slide Lock	1	207061
A 57	Switch Support & Stop	1	203358
A 58	Rd. Hd. Self Tap Screw (6-32 x 3/8")	2	83054
A 59	Arm End Cap (Includes A60 and A63)	1	80894
A 60	Bumper	1	203065
A 61	External Lockwasher (#10)	2	82516
A 62	Fill Hd. Mach. Screw (10-24 x 1 1/2") (Phillips)	2	80826
A 63	Name plate	1	68209
A 64	Key	1	207060-01
A 65	Switch Button (Black)	1	81371
A 66	Switch Button (Red)	1	81371-01
	Cable Sleeve Part Not Shown	1	83705

Rollerhead Assembly Part No. 81329

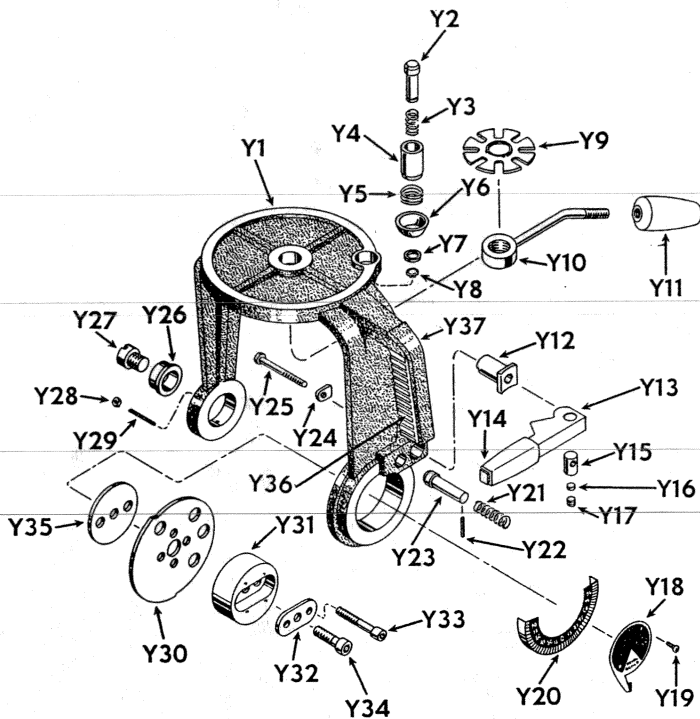
(Includes R1 through R15)



Identification	Description	Quantity	Part No.
R 1	Rollerhead	1	81331-02
R 2	Hex Hd. Cap Screw ($\frac{3}{8}$ -16 x 1")	2	82102
R 3	Bearing	4	81475
R 4	Bearing Shaft (Eccentric)	2	80461
R 5	Drive Screw (#6 x $\frac{3}{8}$)	1	82229
R 6	Bumper	1	80525
R 7	King Bolt	1	70475
R 8	Pointer (Out-Rip) (In-Rip)	1	83822
R 10	Pan Hd. Self Tap Screw (6-32 x $\frac{1}{4}$ ")	2	80488
R 11	Rip Lock Knob	1	81368
R 12	Rip Lock Slug	1	81333
R 13	Rip Lock	1	81332
R 14	Hex Nut ($\frac{3}{16}$ -24)	2	80470
R 15	Lock Washer ($\frac{5}{16}$)	2	84319

Yoke Assembly Part No. 81364

(Includes Y1 through Y35)

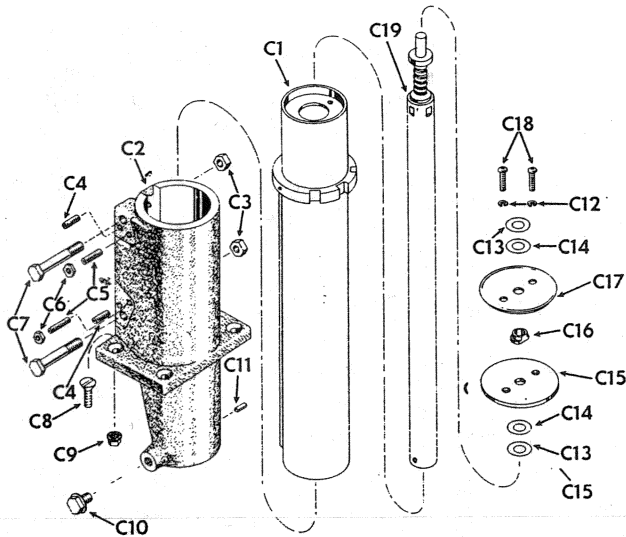


Identification	Description	Quantity	Part No.
Y 8	Snap Ring	1	39645
Y 9	Adjuster	1	80464
Y 10	Yoke Clamp	1	70480
Y 11	Handle Grip	1	80459-01
Y 12	Bevel Clamp Bushing	1	81351
Y 13	Bevel Clamp Handle	1	81345
Y 14	Handle Grip	1	81366-02
Y 15	Pivot Pin	1	81357
Y 16	Set Screw Slug	1	103522
Y 17	Hol. Hd. Cup Pt. Set Screw ($\frac{1}{4}$ -20 x $1\frac{1}{4}$ ")	1	82387
Y 18	Medallion Pointer	1	81355
Y 19	Pan Hd. Screw (8-32 x $\frac{1}{4}$ ") (Phillips)	2	80487
Y 20	Bevel Scale	1	81356
Y 21	Bevel Latch Spring	1	80828
Y 22	Roll Pin ($\frac{3}{32}$ x $\frac{5}{8}$ ")	1	38454
Y 23	Release Pin	1	81323
Y 24	Washer	1	81358
Y 25	Bevel Clamp Screw	1	81208
Y 26	Trunnion Bushing	1	70476
Y 27	Support Screw	1	203111
Y 28	Hex Nut (#10-24)	3	81953
Y 29	Soc. Cup Pt. Set Screw (10-24 x 1")	3	80652
Y 30	Dial Plate	1	81344
Y 31	Dial Plate Hub	1	81361
Y 32	Hub Washer	1	80969
Y 33	Soc. Hd. Cap Screw ($\frac{5}{16}$ -18 x $1\frac{1}{4}$ ")	2	82172
Y 34	Spec. Screw	1	81014
Y 35	Dial Spacer	1	81346
Y 36	Yoke Handle Grip L.H.	1	81363-03
Y 37	Yoke Handle Grip R.H.	1	81363-02

Identification	Description	Quantity	Part No.
Y 1	Yoke (Includes Y4)	1	81378-02
Y 2	Index Pin	1	81341
Y 3	Latch Spring	1	81324
Y 4	Locating Bushing	1	81340
Y 5	Cup Spring	1	81342
Y 6	Index Cam Cup	1	81339
Y 7	Washer	1	81337

Base, Column & Elev. Screw Assembly Part No. 81234

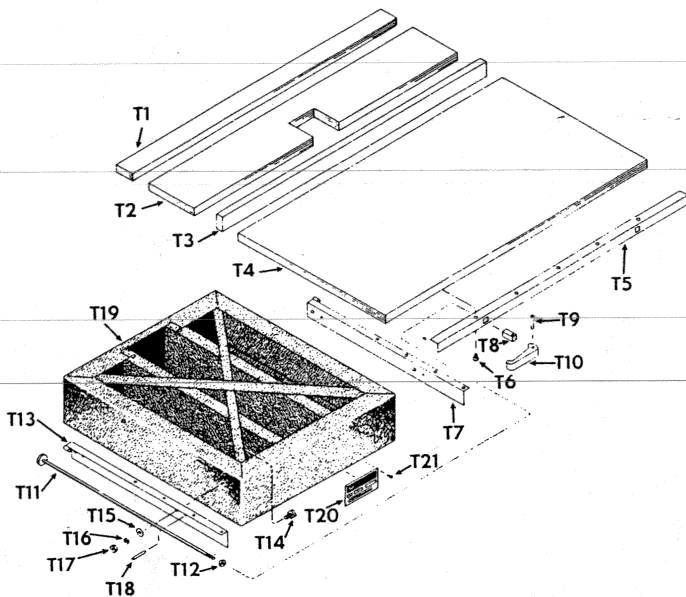
(Includes C1 through C19)



Identification	Description	Quantity	Part No.
C 4	Cup Pt. Set Screw (1/4-20 x 1")	2	82398
C 5	Flat Pt. Set Screw (1/4-20 x 1 1/8")	2	80935
C 6	Hex Nut (1/4-20)	2	80944
C 7	Hex Hd. Cap Screw (3/8-16 x 2 3/4")	2	82127
C 8	Flat Head Machine Screw (3/8-16 x 1 1/4")	4	84423
C 9	Locking Nut (3/8-16)	4	83722
C 10	Locking Screw (3/8-16 x 3/4")	2	83723
C 11	Roll Pin (1/4 x 3/4")	1	82033
C 12	Lock Washer (1/4")	2	84173
C 13	Shim Washer (.005)	2	103564
C 14	Shim Washer (.010)	2	100245
C 15	Column Cap	1	81224
C 16	Bracket Bushing	1	81270
C 17	Miter Wire Sheave	1	81225
C 18	Rd. Hd. Mach. Screw (1/4-20 x 1") (Philips)	2	82286
C 19	Elevating Mechanism Cap Assembly (Includes C 15, C 17, C 16)	1	81235

Identification	Description	Quantity	Part No.
C 1	Column	1	81232
C 2	Base	1	84505-01
C 3	Jam Nut (3/8-16)	2	81986

Table Top & Frame Assembly

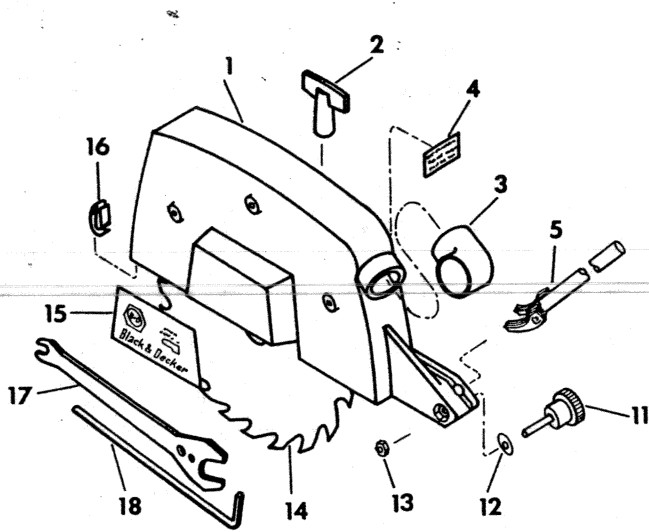


Identification	Description	Quantity	Part No.
T 5	Front Cleat	1	81204-01
T 6	Table Screw	13	201287
T 7	R. H. Cleat	1	81211-02
T 8	Clamp Rod Connector	2	81369
T 9	Roll Pin (1/8-x7/8")	2	82031
T 10	Table Clamp Handle	2	81207
T 11	Table Clamp	2	67452
T 12	Hex Nut (1/4-20)	2	80944
T 13	L. H. Cleat	1	81211-03
T 14	Sq. Hd. Mach. Bolt (3/8-16 x 3/4")	4	81911
T 15	Flat Washer (3/8)	4	80674
T 16	Lock Washer (3/8)	4	82510
T 17	Hex Nut (3/8-16)	4	84180
T 18	Roll Pin (3/16 x 1/2")	4	82035
T 19	Table Frame	1	66312-02
T 20	Mach. Name Plate	1	80728
T 21	Drive Screw (#4 x 3/16")	4	12122

Identification	Description	Quantity	Part No.
T 1	Spacer Board	1	67192-01
T 2	Back Board	1	67193-01
T 3	Guide Fence	1	80887-03
T 4	Fixed Board	1	67194-01

Table Top Assembly (Includes T1 through T18)		1	81202
Clamp Handle & Connector (Includes T10, T9 & T8)		2	80822

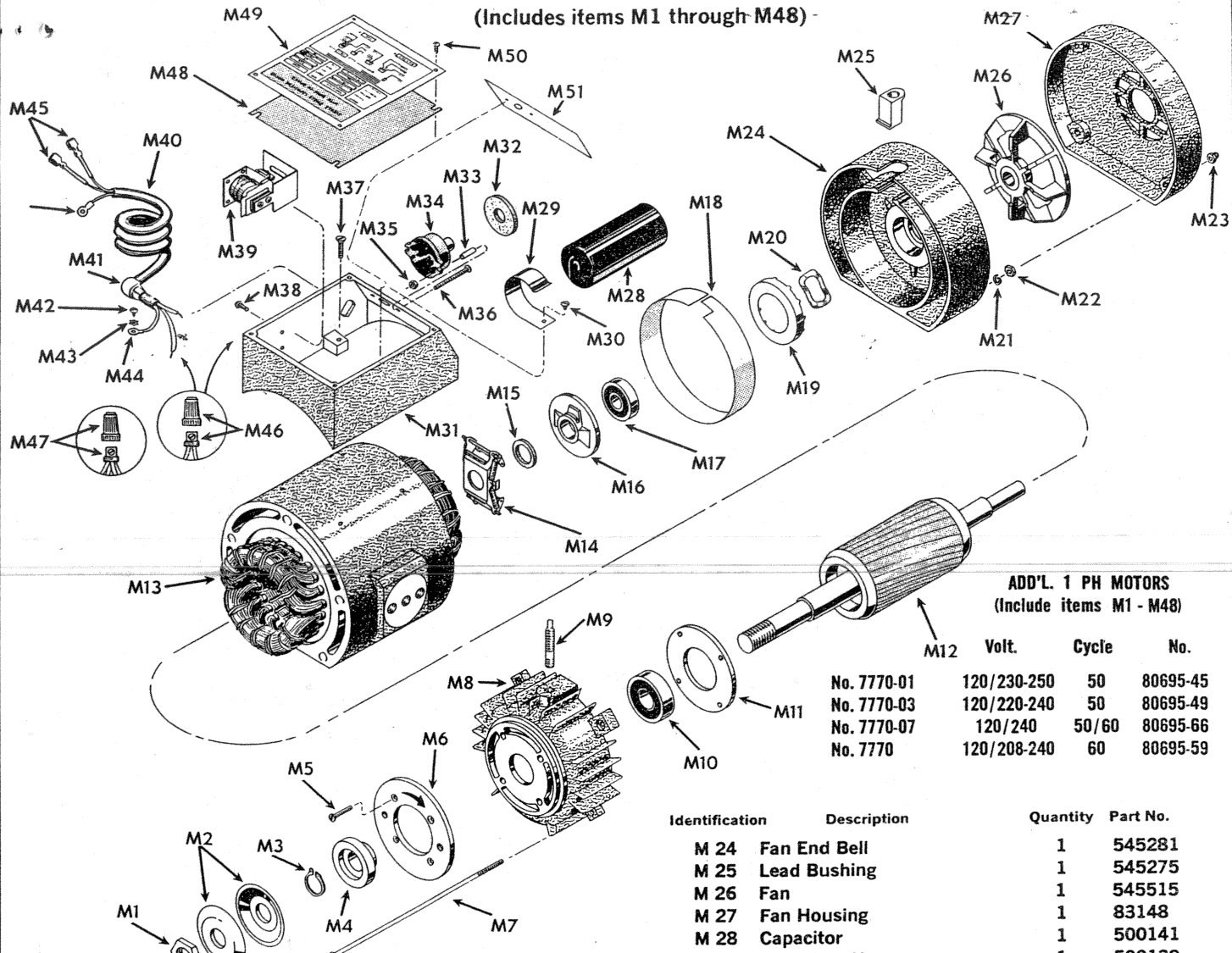
Guard Assembly (10")



Identification	Description	Quantity	Part No.
1	Guard (Includes 4, 15, 16)	1	203272-04
2	Wing Nut	1	70474
3	Dust Spout	1	80466
4	Caution Plate	1	80126
5	Kickback Assembly	1	70477-02
10	Cap	1	80534
11	Kickback Clamp	1	80085-01
12	Shim Washer	1	80457
13	Hex Jam Nut (5/16-18)	1	80467
14	Saw Blade (10" Combination Chisel Tooth)	1	R1041
15	Name Plate	1	68191
16	Guard Clip	1	201404
17	Wrench	1	80137
18	Allen Wrench (5/16 Hex)	1	80138

Frame 236 – Part No. 80695-59 Motor Assembly

(Includes items M1 through M48)



ADD'L. 1 PH MOTORS
(Include items M1 - M48)

No.	Volt.	Cycle	No.
No. 7770-01	120/230-250	50	80695-45
No. 7770-03	120/220-240	50	80695-49
No. 7770-07	120/240	50/60	80695-66
No. 7770	120/208-240	60	80695-59

Identification	Description	Quantity	Part No.
M 1	Arbor Nut	1	80109
M 2	Arbor Collar	2	80465
M 3	Retaining Ring	1	80576
M 4	Arbor Spacer	1	500114
M 5	Flat Hd. Screw (8-32 x 1 1/8")	4	82321
M 6	Cover Plate	1	539158
M 7	Tie Rod	4	545511
M 8	Arbor-End Bell	1	545404
M 9	Guard Stud	1	539007
M 10	Ball Bearing	1	80510
M 11	Bearing Cover	1	545405
M 12	Rotor	1	80702
M 13	Stator (120/208-240 volt, 60 cy. 1 PH)	1	80696-59
	Stator (120/230-250, 60 cy. 1 PH)	1	80696-45
	Stator (110/240. 50 cy. 1 PH)	1	80696-43
	Stator (120/220-240, 50 cy. 1 PH)	1	80696-46
	Stator (120/240, 50/60 cy. 1 PH)	1	80696-66
M 14	Centrif. Mechanism	1	545407
M 15	Felt Washer	1	500314
M 16	Brake Sleeve & Facing	1	545414
M 17	Ball Bearing	1	81472
M 18	Fan Bell Insulation	1	201893
M 19	Brake Clip	1	203356
M 20	Load Spring	1	82495
M 21	Lock Washer (#8)	4	82506
M 22	Hex Nut (#8-32)	4	81967
M 23	Hex Cap Nut (#8-32 x 3/16")	4	81934

Identification	Description	Quantity	Part No.
M 24	Fan End Bell	1	545281
M 25	Lead Bushing	1	545275
M 26	Fan	1	545515
M 27	Fan Housing	1	83148
M 28	Capacitor	1	500141
M 29	Capacitor Clamp	1	500139
M 30	Pan Hd. Self Tap Screw (8-32 x 3/8")	1	80598
M 31	Relay Box	1	80784
M 32	Felt Washer	1	545012
M 33	Standoff Bushing	2	545274
M 34	Overload Protector	1	545277
M 35	Hex Nut (#8-32)	2	81967
M 36	Flat Hd. Screw (8-32 x 1 1/8")	2	82321
M 37	Flat Hd. Screw (1-32 x 5/8")	4	80595
M 38	Pan Hd. Screw (6-32 x 1/4")	2	80630
M 39	Relay	1	500131
M 40	Motor Cable (Includes M44 and M45)	1	80726
M 41	Cord Bushing	1	81729
M 42	Pan Hd. Self Tap Screw (8-32 x 3/8")	1	80598
M 43	Everlock Washer (#8)	1	33985
M 44	Lead Terminals	2	1747
M 45	Spade Connectors	2	80201
M 46	Wire Connector (Size 0)	1	80563
M 47	Wire Connector (Size 1)	1	81730
M 48	Gasket	1	545273
M 49	Specification Plate	1	85000
M 50	Truss Hd. Self Tap Screw (#4 x 5/16")	4	82266
M 51	Decal	1	63914
Parts Not Shown			
	Sleeve. Use with item M38	1	545588
	Connection Diagram	1	80729