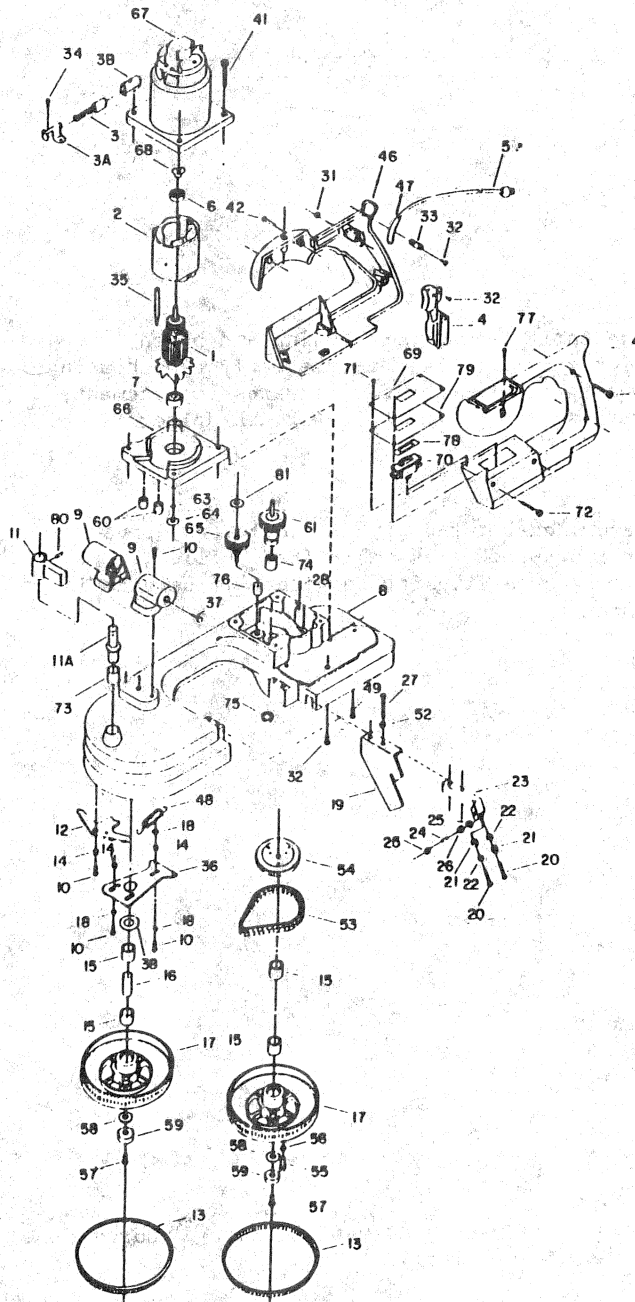


# PORTER-CABLE PORTA-BAND

**WARNING!** Electrical repairs should only be attempted by trained repairmen. Contact the nearest Porter-Cable Service Center or other competent repair center.

# 7721



Ref. No.	Part No.	Description
1	864788	Armature 115V
	866911	Armature 220V
2	864790	Field 115V
	866912	Field 220V
3	865326**	Brush and Spring
3A	865210**	Brush Retainer
3B	865323**	Brush Holder
4	864459	Switch
5	858761	Cord
6	855284	Commutator Bearing
7	857399	Fan End Bearing
8	696229	Pulley Housing Assy., T2
		Incl: Ref. 74, 75, 76
	861843	Pulley Housing Assy., T1
		Incl: Ref. 73, 74, 75, 76
9	691428	Knob Set
10	851776	Screw
11	853327	Tension Lever, T2
	810980	Tension Lever & Shaft, T1
11A	696217	Tension Shaft, T2
12	861851	Yoke
13	844868	Pulley Tire
14 n	878725	Bushing
15	803858	Bearing
16	863047	Pulley Shaft
17	861702	Pulley
18	802318	Washer (Shim as Required)
19	858932	Stop
20 n	691679	Screw - late - self-tapping
	863401	Screw - early - machine screw
21	863569	Blade Guide
22	855196	Blade Guide Bearing
23	861799	Blade Guide Holder
	867950	Blade Guide Holder Assy
		Incl: Ref. 20, 21, 22, 24, 25, 26, 27, 52
	694978	Blade Guide Hardware Pkg. Incl:
		Ref. 20, 21, 22, 24, 25, 26, 27, 52
24	861663	Pin
25	861664	Washer
26	855195	Blade Guide Bearing
27	858135	Screw
28	801710	Pin
30	844644	Screw
31	803637	Nut
32	859227	Screw
33	861434	Cord Clamp
34	859802	Screw
35	853480	Screw
36 n	878661	Yoke Plate Kit, Incl: Ref. 14
37	857517	Screw
38	803679	Washer
41	838733	Screw
42	861810	Screw
46 n	696618**	Handle Set, T2, Incl: Ref. 30, 31, 32, 42, 49, 72, 77
	864792	Handle Set, T1, Incl: Ref. 30, 31, 32, 42, 49, 72, 77
47	810882	Strain Reliever
48	861852	Tension Spring
49	864449	Screw
52	802429	Lock Washer
53	802524**	Chain
54	802375**	Driven Sprocket
55	800191	Screw
56	802417	Lock Washer
57	847213	Screw
58	863134	Washer
59	803435	Washer
60	841767	Bearing
61	861131**	Gear & Sprocket Assy
63	802851	"O" Ring
64	862534	Slinger
65	861845	Intermediate Gear
66	861844	Intermediate Plate Assembly
		Includes: Ref. 60
67	864832**	Motor Housing
68	842610	Load Washer
69	696220	Decorative Plate, T2
	692285	Decorative Plate, T1
70	696227	Switch (2 speed), T2
	862136	Switch (2 speed), T1
71	858008	Screw
72	866693	Screw, T2
	860902	Screw, T1
73	841769	Bushing, T1
74	859849	Needle Bearing
75	865090	Seal
76	803193	Bearing
77 n	866311	Screw
78	696499	Insulator, T2 (2 required)
79	696498	Insulator, T2
80	802329	Pin, T2
81	848741	Washer, Late T2 Only
*	810921	Fan
*	59842**	Lubricant (5 1/2 oz.)
*	863106**	Lubricant (4 lbs.)

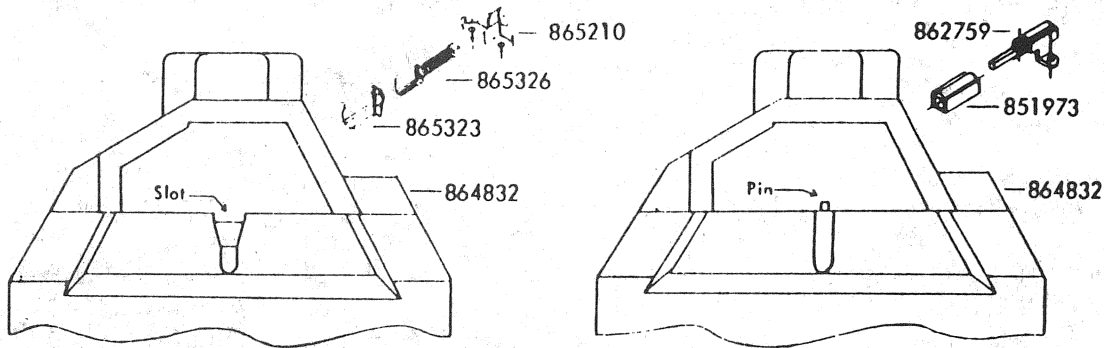
\* Not Shown

\*\* See Service Notes

# 7721

# SERVICE NOTES

## BRUSH/MOTOR HOUSING



CURRENT TYPE

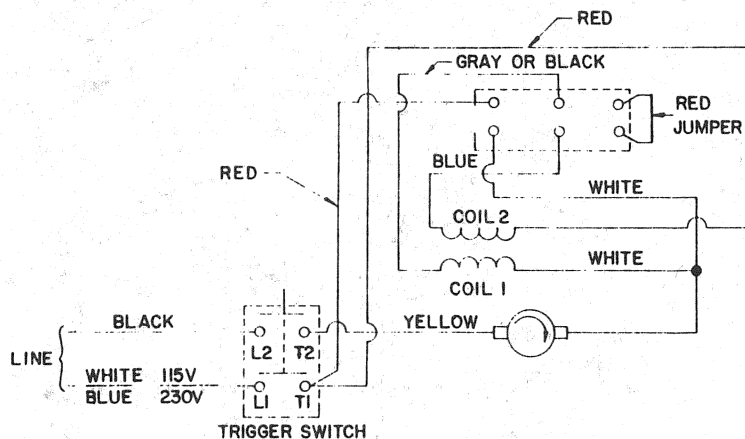
EARLY TYPE

It is possible that some units were sold incorporating the early type motor housing and brush assembly. The 862759 Brush Assembly is still available for service; however, the early type housing and brush holder are not available. If an early type housing or brush holder requires replacement, then you must install the 865323 Brush Holder, 865326 Brush Assembly, and 865210 Brush Holder Clamp.

## CHAIN AND SPROCKETS

Type 1 models with serial numbers 36159 through 36869 were manufactured with a single row drive system: chain (Ref. #53), sprocket (Ref. #54), and gear and sprocket assembly (Ref. #61). Replacement parts for the single row system will not be made available for service. If service is necessary, replace all three parts with double row components.

## WIRING DIAGRAM



## LUBRICANT

Early units contain a very light colored lubricant (801945 - 5 1/2 oz., 801946 - 4 lbs.). Current units contain a dark brown lubricant (59842 - 5 1/2 oz., 863106 - 4 lbs.).

## HANDLE SET

Original handle sets no longer available. New service kits convert to variable speed control (in place of two speed). Kits are for AC Current Only.

Kits contain new handle set, speed control, and necessary hardware.

120 Volt Kit - 874639

220 Volt Kit - 878139