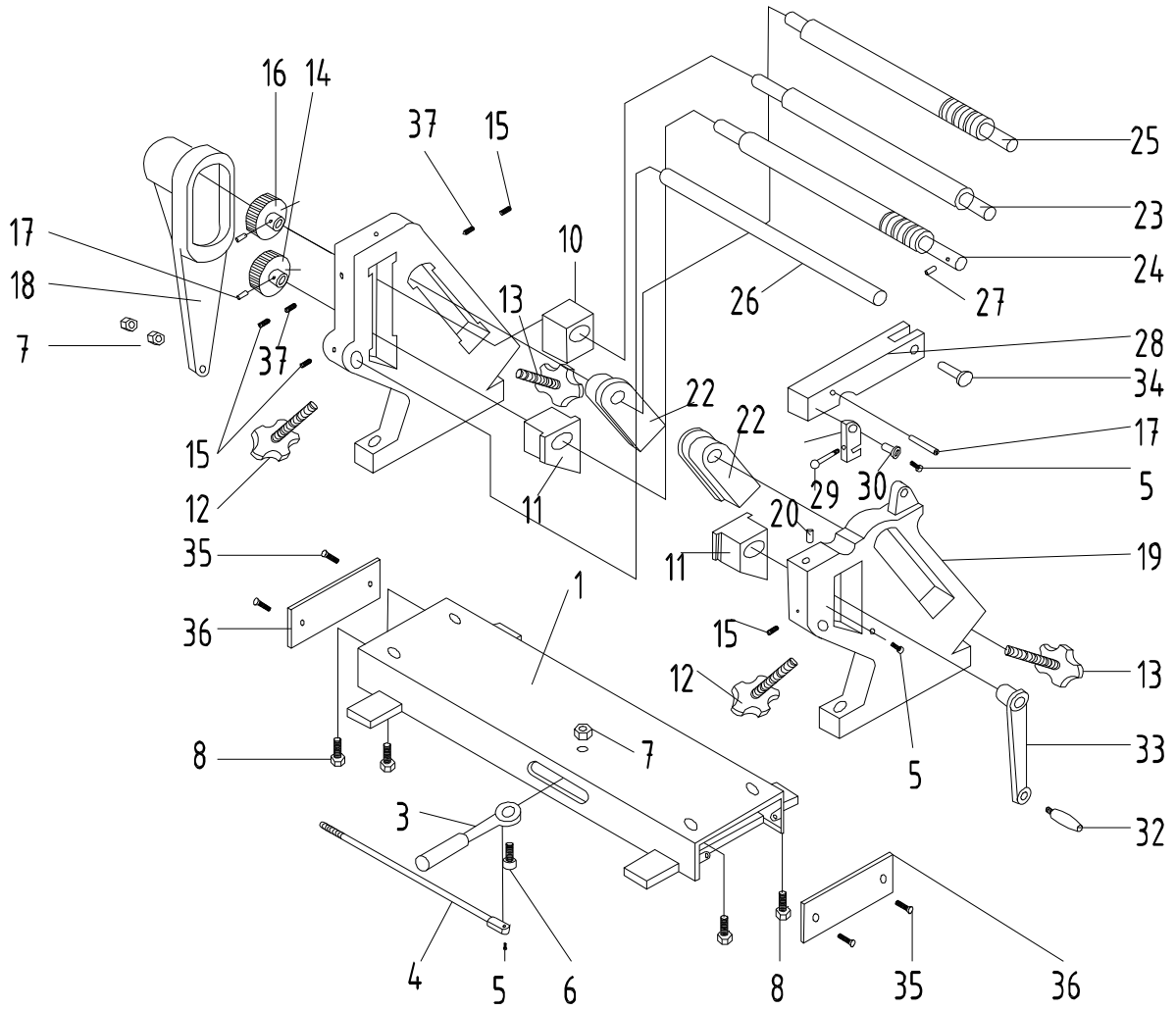


# Breakdown for the SR-2024M & SR-2236M Slip Roll



## Parts List for the SR-2024M & SR-2236M Slip Roll

Index No.	Part No.	Description	Size	Quantity
1.....	SR2024N-1 .....	Base Assembly.....		1
.....	SR2236N-1 .....	Base Assembly.....		1
3.....	SR2024N-3 .....	Lever.....		1
4.....	SR2024N-4 .....	Rod .....		1
.....	SR2236N-4 .....	Rod .....		1
5.....	SR2024N-5 .....	Socket Head Cap Screw.....	M8x20.....	3
6.....	SR2024N-6 .....	Socket Head Cap Screw.....	M10x25.....	1
7.....	SR2024N-7 .....	Hex Nut.....	M10 .....	3
8.....	SR2024N-8 .....	Hex Cap Screw .....	M12x20.....	4
9.....	SR2024N-9 .....	Left Support.....		1
10.....	SR2024N-10 .....	Upper Left Bearing Seat .....		1
11.....	SR2024N-11 .....	Lower Left Bearing Seat .....		2
12.....	SR2024N-12 .....	Knob .....		2
13.....	SR2024N-13 .....	Knob .....		2
14.....	SR2024N-14 .....	Gear.....		1
15.....	SR2024N-15 .....	Set Screw Flat Point .....	M8x8.....	4
16.....	SR2024N-16 .....	Gear.....		1
17.....	SR2024N-17 .....	Spring Pin.....	5x20.....	3
18.....	SR2024N-18 .....	Gear Cover.....		1
19.....	SR2024N-19 .....	Right Support .....		1
20.....	SR2024N-20 .....	Spring Pin.....	8x20.....	1
22.....	SR2024N-22 .....	Bearing Seat .....		2
23.....	SR2024N-23 .....	Upper Roll .....		1
.....	SR2236N-23 .....	Upper Roll .....		1
24.....	SR2024N-24 .....	Lower Roll .....		1
.....	SR2236N-24 .....	Lower Roll .....		1
25.....	SR2024N-25 .....	Rear Roll .....		1
.....	SR2236N-25 .....	Rear Roll .....		1
26.....	SR2024N-26 .....	Link Rod.....		1
.....	SR2236N-26 .....	Link Rod.....		1
27.....	SR2024N-27 .....	Spring Pin.....	8x45.....	1
28.....	SR2024N-28 .....	Cover .....		1
29.....	SR2024N-29 .....	Handle.....		1
30.....	SR2024N-30 .....	Cam .....		1
31.....	SR2024N-31 .....	Handle Bracket.....		1
32.....	SR2024N-32 .....	Handle.....		1
33.....	SR2024N-33 .....	Arm .....		1
34.....	SR2024N-34 .....	Pin.....		1
35.....	SR2024N-35 .....	Flat Head Screw.....	M4x5.....	4
36.....	SR2024N-36 .....	Plate.....		2
37.....	SR2024N-37 .....	Set Screw Cone Point.....	M8x8.....	2
.....	SR2024M-ID .....	ID Label (not shown).....		1
.....	SR2236M-ID .....	ID Label (not shown).....		1
.....	SR2024N-W.....	Warning Label (not shown) .....		1
.....	SR2024N-J .....	JET Label (not shown).....		1