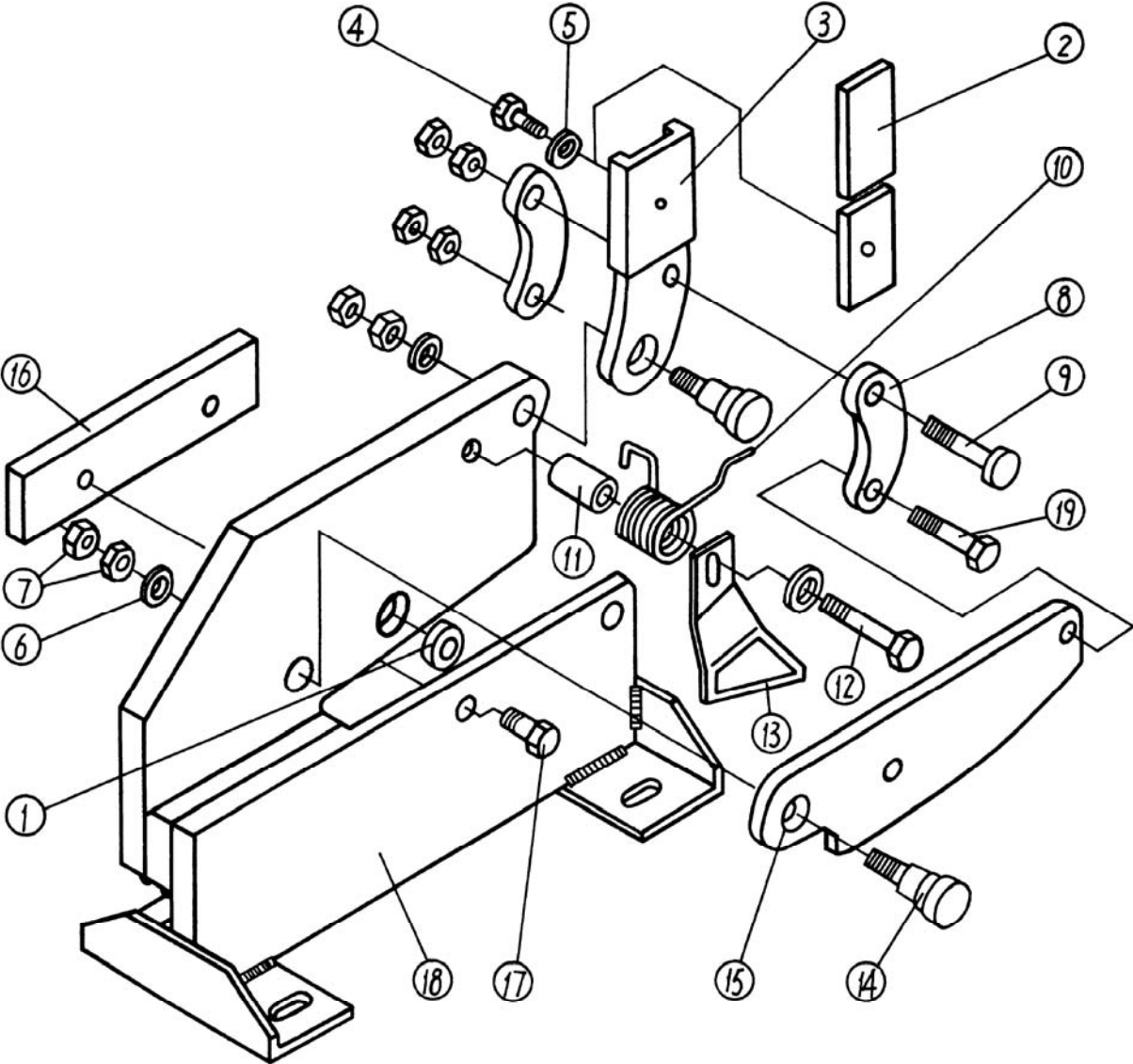


Breakdown for the SS-8T & SS-12T Slitting Shears



Parts List for the SS-8T & SS-12T Slitting Shears

Index No.	Part No.	Description	Quantity
1.....	SS8N-1.....	Round Blade	1
2.....	SS8N-2.....	Hand Lever.....	1
3.....	SS8N-3.....	Hand Adapter	1
4.....	SS8N-4.....	Hex Cap Screw	1
5.....	SS8N-5.....	Spring Washer.....	1
6.....	SS8N-6.....	Washer.....	3
7.....	SS8N-7.....	Hex Nut.....	8
8.....	SS8N-8.....	Link	2
9.....	SS8N-9.....	Hex Cap Bolt	1
10.....	SS8N-10.....	Spring.....	1
11.....	SS8N-11.....	Bushing.....	1
12.....	SS8N-12.....	Hex Cap Bolt.....	1
13.....	SS8N-13.....	Hold-down.....	1
14.....	SS8N-14.....	Shoulder Bolt.....	2
15.....	SS8N-15.....	Upper Blade	1
.....	SS12N-15.....	Upper Blade	1
16.....	SS8N-16.....	Lower Blade	1
.....	SS12N-16.....	Lower Blade	1
17.....	SS8N-17.....	Hex Cap Bolt	3
18.....	SS8N-18.....	Frame.....	1
.....	SS12N-18.....	Frame.....	1
19.....	SS8N-19.....	Hex Cap Bolt.....	1