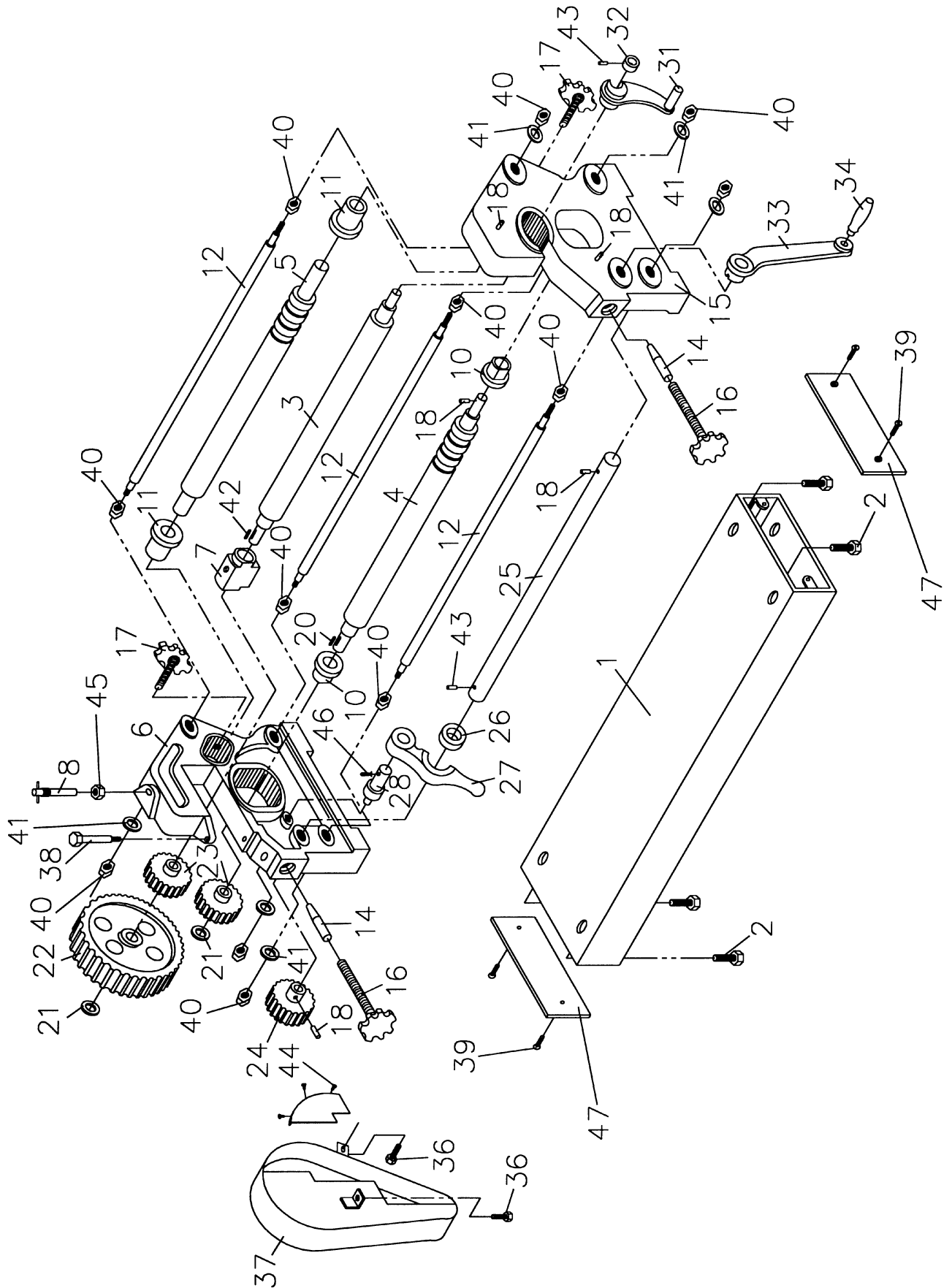


Breakdown for the SR-1650N Slip Roll



Parts List for the SR-1650N Slip Roll

Index No.	Part No.	Description	Size	Quantity
1	SR1650N-1	Base Assembly		1
2	SR1650N-2	Hex Cap Screw	M16x25	4
3	SR1650N-3	Upper Roll		1
4	SR1650N-4	Lower Roll		1
5	SR1650N-5	Rear Roll		1
6	SR1650N-6	Left Support		1
7	SR1650N-7	Left Upper Roll Seat		1
8	SR1650N-8	Set Rod Assembly		1
10	SR1650N-10	Bushing		2
11	SR1650N-11	Bushing		2
12	SR1650N-12	Set Rod		3
14	SR1650N-14	Pin		2
15	SR1650N-15	Right Support		1
16	SR1650N-16	Knob		2
17	SR1650N-17	Knob		2
18	SR1650N-18	Spring Pin	5x40	5
20	SR1650N-20	Key	8x8x30	2
21	SR1650N-21	C-Ring	28	2
22	SR1650N-22	Gear		1
23	SR1650N-23	Gear		2
24	SR1650N-24	Gear		1
25	SR1650N-25	Rod		1
26	SR1650N-26	Bushing		1
27	SR1650N-27	Stop		1
28	SR1650N-28	Shaft Assembly		1
31	SR1650N-31	Clamp Handle		1
32	SR1650N-32	Bushing		1
33	SR1650N-33	Arm		1
34	SR1650N-34	Handle		1
36	SR1650N-36	Hex Cap Screw	M8x20	2
37	SR1650N-37	Gear Cover Assembly		1
38	SR1650N-38	Hex Socket Bolt	M4x5	1
39	SR1650N-39	Flat Head Screw	M4x5	4
40	SR1650N-40	Hex Nut	M16	12
41	SR1650N-41	Washer	M16	6
42	SR1650N-42	Key	8x8x60	1
43	SR1650N-43	Set Screw	M8x10	1
44	SR1650N-44	Tapping Screw	ST4.3x9	8
45	SR1650N-45	Hex Nut	M20	1
46	SR1650N-46	Cotter Pin	3.2x30	1
47	SR1650N-47	Plate		2
	SR1650N-ID	ID Label (not shown)		1
	SR1650N-W	Warning Label (not shown)		1
	SR1650N-J	JET Label (not shown)		1