

Parts List for ESR-1650

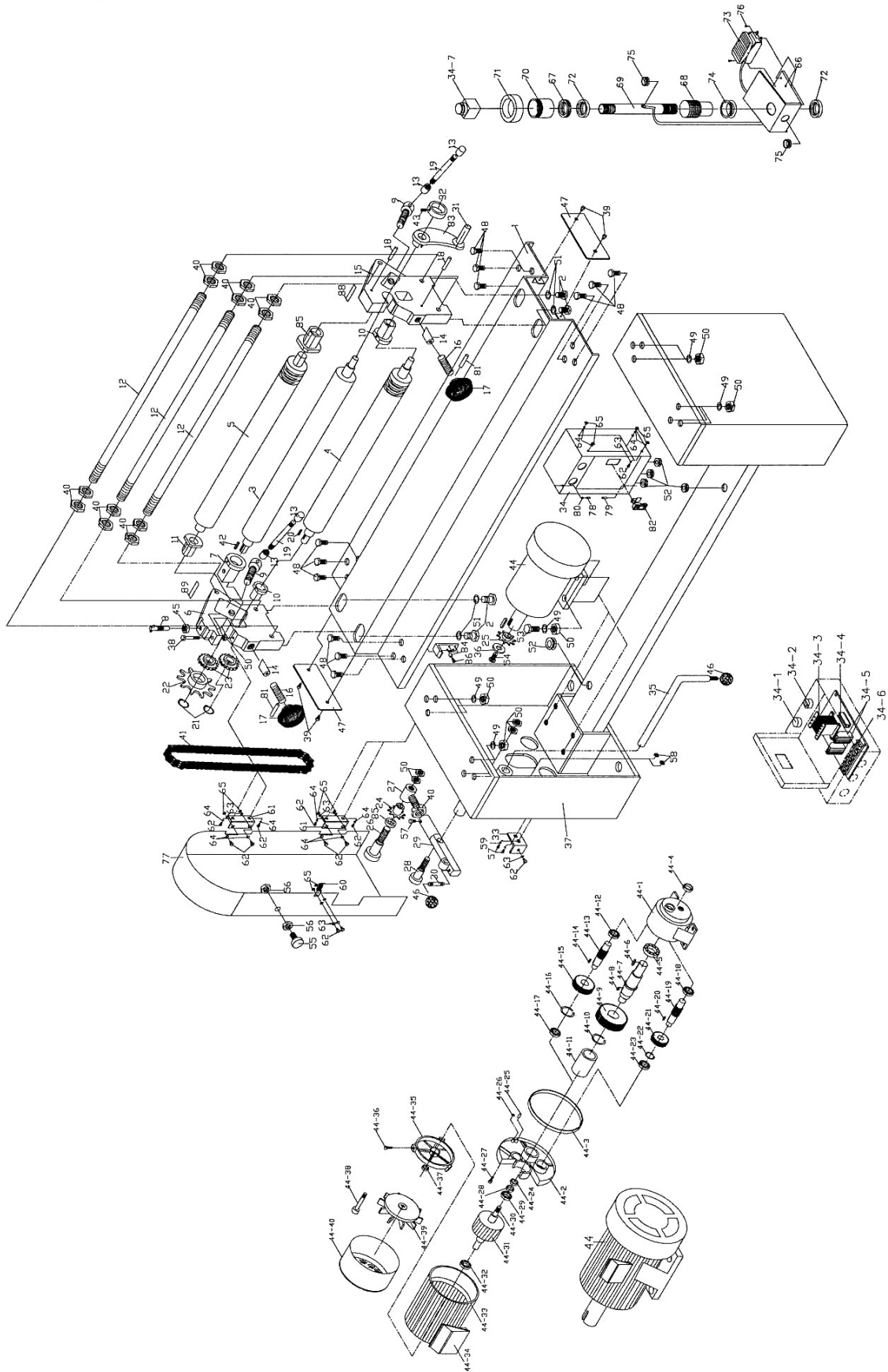
Index No	Part No	Description	Size	Qty
1	ESR1650-1	Base Assembly		1
2	ESR1650-2	Hex Cap Screw	M16x25	4
3	ESR1650-3	Upper Roll		1
4	ESR1650-4	Lower Roll		1
5	ESR1650-5	Rear Roll		1
6	ESR1650-6	Left Support		1
7	ESR1650-7	Left Upper Roll Seat		1
8	ESR1650-8	Set Handle Assembly		1
9	ESR1650-9	Lock Knob		2
10	ESR1650-10	Bushing		2
11	ESR1650-11	Bushing, Left Rear		1
12	ESR1650-12	Set Rod		3
13	ESR1650-13	Cap		4
14	ESR1650-14	Gib Key		2
15	ESR1650-15	Right Support		1
16	ESR1650-16	Front Adjusting Screw		2
17	ESR1650-17	Knob		2
18	ESR1650-18	Spring Pin	Ø5x40 mm	2
19	ESR1650-19	Handle		2
20	ESR1650-20	Flat Key	30x8x8 mm	1
21	ESR1650-21	C-Ring	Ø28 mm	2
22	ESR1650-22	Sprocket	Z=30, P=15.875	1
23	ESR1650-23	Gear	M=5, Z=5	2
24	ESR1650-24	Sprocket	Z=11, P=15.875	1
25	ESR1650-25	Drive Sprocket	Z=15, P=15.875	1
26	ESR1650-26	Sprocket Shaft		1
27	ESR1650-27	Lever Head		1
28	ESR1650-28	Lever Shaft		1
29	ESR1650-29	Lever		1
30	ESR1650-30	Stud		1
31	ESR1650-31	Clamp Handle Grip	M8	1
32	ESR1650-32	Bushing		1
33	ESR1650-33	Bracket		1
34	ESR1650-34	Electrical Box		1
34-1	ESR1650-34-1	Power Indicator	XD110V	1
34-2	ESR1650-34-2	Power On/Off	LA18-11/2	1
34-3	ESR1650-34-3	Transformer	BK50VA, 0-115-230-380-460, 50/60Hz	1
34-4	ESR1650-34-4	Fuse	5A	1
34-5	ESR1650-34-5	Magnetic Contactor	110V CJX2-0901	2
34-6	ESR1650-34-6	Junction Terminal	600V, 10A, 13P	1
34-7	ESR1650-34-7	Emergency Switch	10A	1
35	ESR1650-35	Locking Handle		1
36	ESR1650-36	Washer	Ø10 mm	1
37	ESR1650-37	Stand		1
38	ESR1650-38	Hex Cap Screw	M12x130	1
39	TS-2171012	Pan Head Machine Screw	M4x5	4
40	TS-154010	Hex Nut	M16	13
41	ESR1650-41	Chain	10Ax1x100	1
42	ESR1650-42	Flat Key	60x8x8 mm	1
43	TS-1524021	Socket Set Screw	M8x10	1
44	ESR1650-44	Motor*	1HP, 3Ph, 230/460V	1
	ESR1650-44A	Motor*	1HP, 1PH, 115/230V	1
	ESR1650-44A-SC	Start Capacitor (for single phase)	35MFD 450V	1
	ESR1650-44A-RC	Run Capacitor (for single phase)	35µF 450V	1

* Note: Motor includes gear reducer assembly, index nos. ESR1650-44-1 thru ESR1650-44-41.

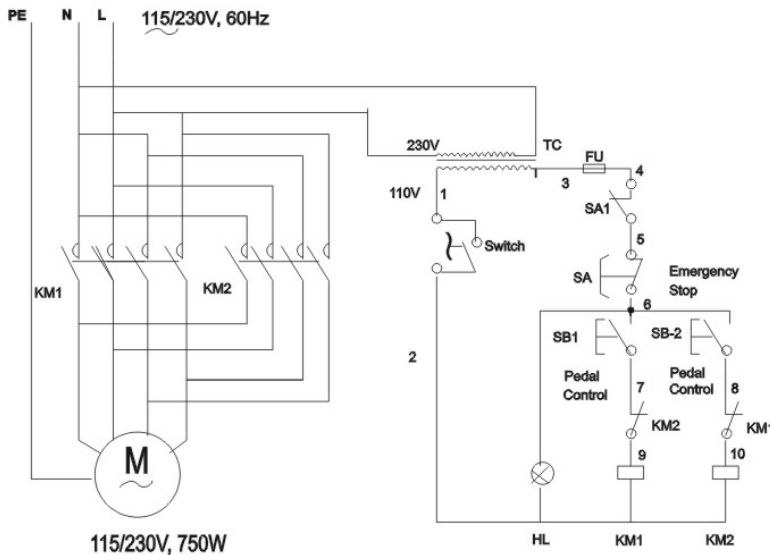
Index No	Part No	Description	Size	Qty
44-1	ESR1650-44-1	Housing		1
44-2	ESR1650-44-2	Housing Cover		1
44-3	ESR1650-44-3	O-Ring	149.5 x Ø2.2mm	1
44-4	ESR1650-44-4	Oil Seal – Output Shaft		1
44-5	ESR1650-44-5	Bearing – Output Shaft		1
44-6	ESR1650-44-6	Key – Output Shaft		1
44-7	ESR1650-44-7	Output Shaft		1
44-8	ESR1650-44-8	Key – Stage 3 Pinion		1
44-9	ESR1650-44-9	Gear – Stage 3		1
44-10	ESR1650-44-10	Snap Ring		1
44-11	ESR1650-44-11	Oil-less Bearing		1
44-12	ESR1650-44-12	Bearing – Stage 2 Pinion		1
44-13	ESR1650-44-13	Pinion – Stage 3		1
44-14	ESR1650-44-14	Key – Stage 3 Pinion		1
44-15	ESR1650-44-15	Gear – Stage 2		1
44-16	ESR1650-44-16	Snap Ring		1
44-17	ESR1650-44-17	Bearing – Stage 3 Pinion		1
44-18	ESR1650-44-18	Bearing – Stage 2 Pinion		1
44-19	ESR1650-44-19	Pinion – Stage 2		1
44-20	ESR1650-44-20	Key – Stage 2 Pinion		1
44-21	ESR1650-44-21	Gear – Stage 1		1
44-22	ESR1650-44-22	Snap Ring		1
44-23	ESR1650-44-23	Bearing – Stage 2 Pinion		1
44-24	ESR1650-44-24	Oil Seal – Motor Shaft		1
44-25	ESR1650-44-25	Pin		1
44-26	ESR1650-44-26	O-Ring	6.0 x Ø2mm	4
44-27	ESR1650-44-27	Hex Cap Screw	M6x20	5
44-28	ESR1650-44-28	Wave Spring		1
44-29	BB-6304ZZ	Bearing – Motor Shaft	6304ZZ	1
44-30	ESR1650-44-30	Motor Shaft		1
44-31	ESR1650-44-31	Rotor		1
44-32	BB-6304ZZ	Bearing – Motor	6304ZZ	1
44-33	ESR1650-44-33	Coil Assembly		1
44-34	ESR1650-44-34	Junction Box		1
44-35	ESR1650-44-35	Rear Motor Cover		1
44-36	ESR1650-44-36	Screw – Fan Cover		3
44-37	ESR1650-44-37	Oil Seal – Rear Cover		1
44-38	ESR1650-44-38	Bolt - Motor		4
44-39	ESR1650-44-39	Motor Fan		1
44-40	ESR1650-44-40	Motor Fan Cover		1
44-41	ESR1650-44-41	Oil Plug (not shown)		1
45	TS-2310201	Hex Nut	M20	1
46	ESR1650-46	Ball Grip	SØ30 mm	2
47	ESR1650-47	End Plate		2
48	TS-1492021	Hex Cap Screw	M12x30	12
49	TS-2361121	Lock Washer	Ø12 mm	16
50	TS-1540081	Hex Nut	M12	21
51	TS-2361161	Lock Washer	Ø16 mm	4
52	ESR1650-52	Strain Relief	Ø16 mm	5
53	TS-1492051	Hex Cap Screw	M12x50	4
54	TS-1491041	Hex Cap Screw	M10x30	1
55	ESR1650-55	Locking Knob	M8x30	1
56	TS-1540061	Hex Nut	M8	2
57	ESR1650-57	Socket Head Cap Screw	M6x18	3
58	TS-1540041	Hex Nut	M6	2
59	TS-1550041	Flat Washer	Ø6 mm	2
60	ESR1650-60	Latch Plate		1
61	ESR1650-61	Hinge	L=80, δ=2	2
62	TS-1533052	Pan Head Machine Screw	M5x16	11

Index No	Part No	Description	Size	Qty
63	TS-2361051	Lock Washer	Ø5 mm	11
64	TS-1550031	Flat Washer	Ø5 mm	12
65	TS-1540031	Hex Nut	M5	14
66	ESR1650-66	Foot Control Guard		1
67	ESR1650-67	Flat Nut		1
68	ESR1650-68	Nut		1
69	ESR1650-69	Post		1
70	ESR1650-70	Emergency Switch Holder		1
71	ESR1650-71	Cover		1
72	ESR1650-72	Washer		2
73	ESR1650-73	Foot Control Pedal Switch		1
74	ESR1650-74	Strain Relief	Ø26 mm	1
75	ESR1650-75	Strain Relief	Ø10 mm	2
76	ESR1650-76	Hex Cap Screw	M4x16	4
77	ESR1650-77	Side Cover		1
78	ESR1650-78	Hinge Screw		1
79	ESR1650-79	Hinge Pin		1
80	TS-1541001	Nylon Insert Lock Nut	M4	1
81	ESR1650-81	Spring Pin	Ø6x35 mm	2
82	ESR1650-82	Electrical Box Latch		1
83	ESR1650-83	Clamp Handle		1
84	ESR1650-84	Bushing		4
85	ESR1650-85	Bushing, Right Rear		1
86	TS-1502051	Socket Head Cap Screw	M5x20	4
87	BB-6202ZZ	Ball Bearing	6202Z	1

Assembly Drawing for ESR-1650

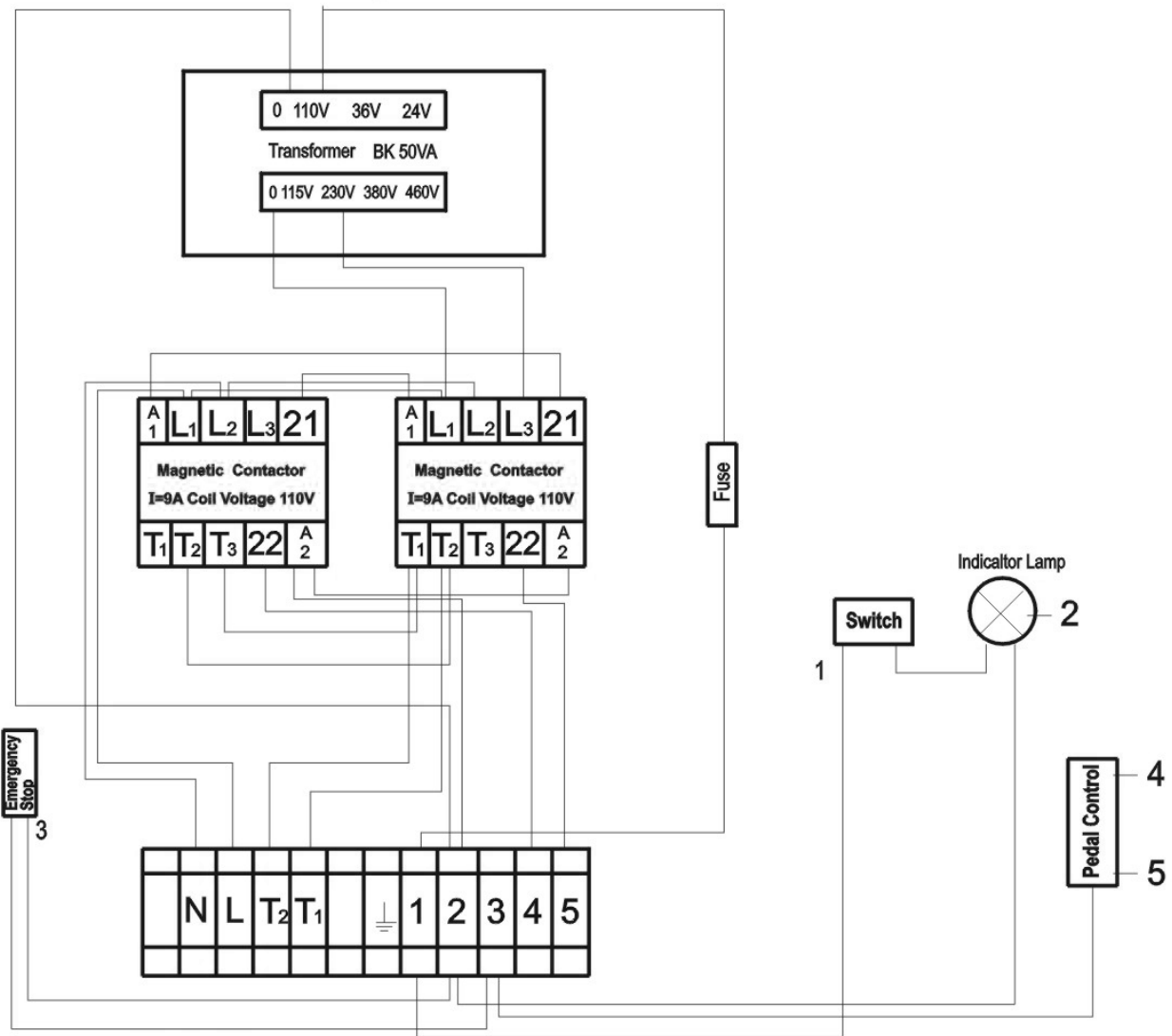


Wiring Diagram for ESR-1650-1 (1-Phase only)



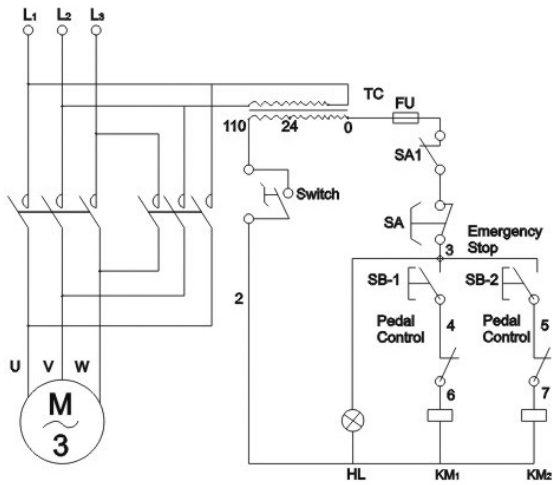
1 Phase

Schematic circuit diagram



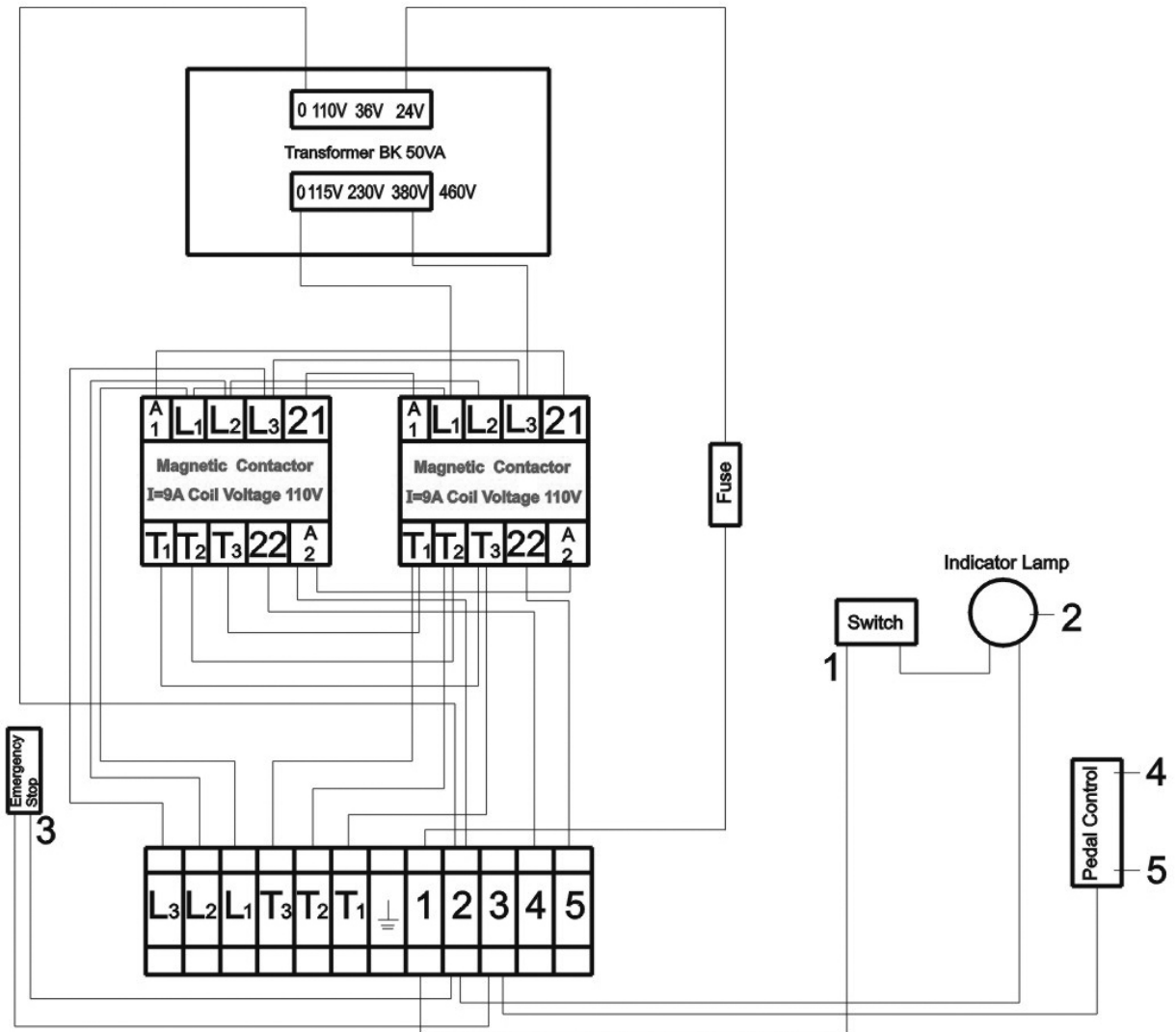
Wiring diagram

Wiring Diagram for ESR-1650-3 (3-Phase only)



(3 Phase)

Schematic circuit diagram



Wiring diagram