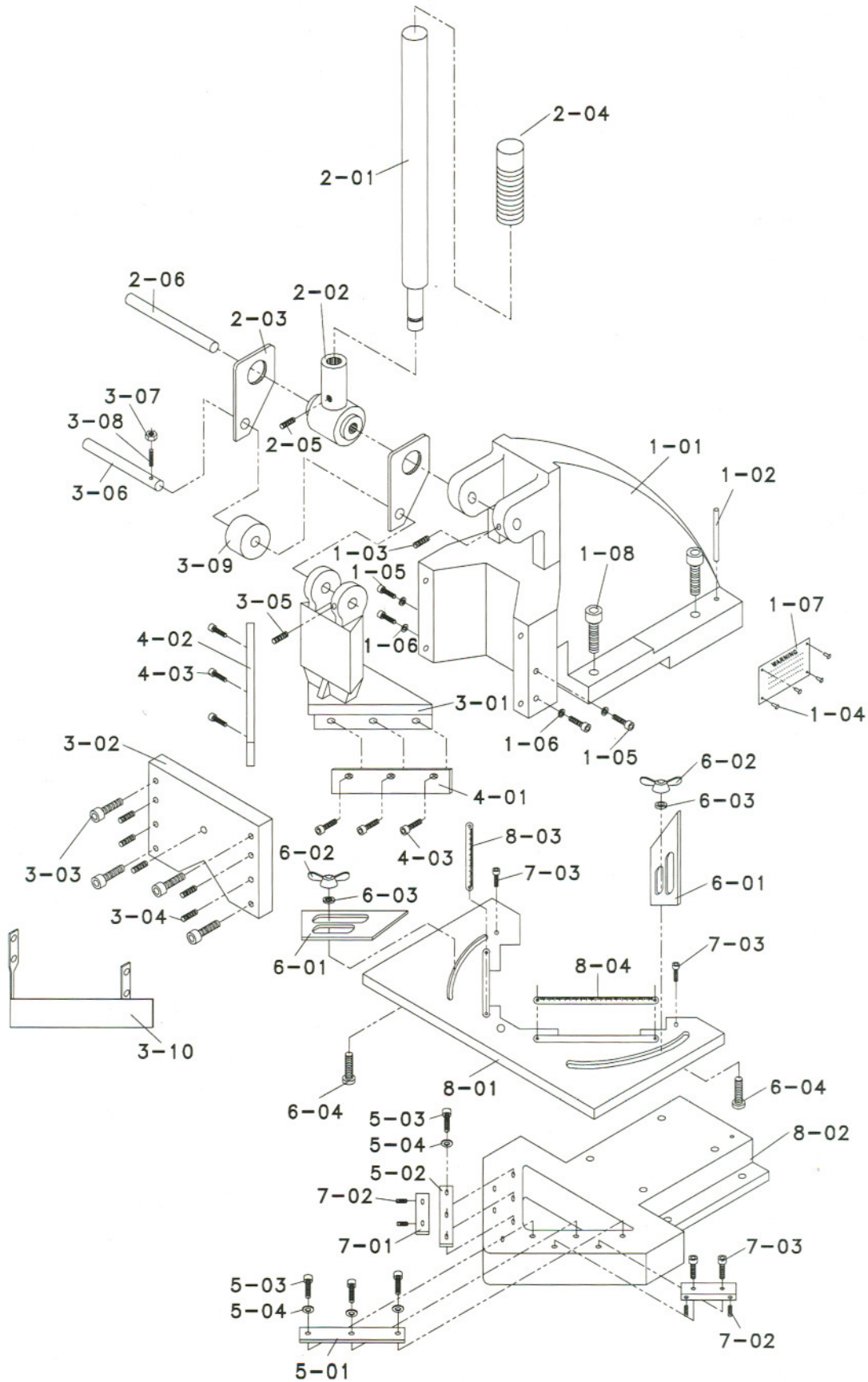


Breakdown for the HN-16N Hand Notcher



Parts List for the HN-16N Hand Notcher

| Index No. | Part No. | Description | Size | Quantity |
|-----------|------------|------------------------|--------|----------|
| 1-01 | HN16N-1-01 | Body | | 1 |
| 1-02 | HN16N-1-02 | Pin | Ø6x55 | 2 |
| 1-03 | TS-1523061 | Set Screw | M6x20 | 1 |
| 1-04 | HN16N-1-04 | Rivet | Ø2x4 | 12 |
| 1-05 | TS-1503031 | Socket Head Cap Screw | M6x12 | 4 |
| 1-06 | TS-1550041 | Washer | Ø6 | 4 |
| 1-07 | HN16N-1-07 | Warning Label | | 1 |
| 1-08 | TS-1492071 | Hex Cap Bolt | M12x65 | 4 |
| 1-09 | HN16N-1-09 | Label (not shown) | | 1 |
| 2-01 | HN16N-2-01 | Lever | | 1 |
| 2-02 | HN16N-2-02 | Cam | | 1 |
| 2-03 | HN16N-2-03 | Plate | | 2 |
| 2-04 | HN16N-2-04 | Cap | | 1 |
| 2-05 | TS-1524041 | Set Screw | M8x16 | 1 |
| 2-06 | HN16N-2-06 | Shaft | | 1 |
| 3-01 | HN16N-3-01 | Ram | | 1 |
| 3-02 | HN16N-3-02 | Fixed Plate | | 1 |
| 3-03 | TS-1504051 | Socket Head Cap Screw | M8x25 | 4 |
| 3-04 | TS-1524051 | Set Screw | M8x20 | 5 |
| 3-05 | TS-1523051 | Set Screw | M6x14 | 1 |
| 3-06 | HN16N-3-06 | Shaft | | 1 |
| 3-07 | TS-1540061 | Hex Nut | M8 | 2 |
| 3-08 | HN16N-3-08 | Set Screw | M8x40 | 1 |
| 3-09 | HN16N-3-09 | Shaft Bushing | | 1 |
| 3-10 | HN16N-3-10 | Guard | | 1 |
| 4-01 | HN16N-4-01 | Upper Blade (right) | | 1 |
| 4-02 | HN16N-4-02 | Upper Blade (left) | | 1 |
| 4-03 | TS-1505031 | Socket Head Cap Screw | M10x25 | 6 |
| 5-01 | HN16N-5-01 | Lower Blade (right) | | 1 |
| 5-02 | HN16N-5-02 | Lower Blade (left) | | 1 |
| 5-03 | TS-1504051 | Socket Head Cap Screw | M8x25 | 6 |
| 5-04 | TS-1550061 | Washer | Ø8 | 6 |
| 6-01 | HN16N-6-01 | Side Positioning Block | | 2 |
| 6-02 | TS-0590031 | Wing Nut | M10 | 4 |
| 6-03 | TS-1550071 | Washer | Ø10 | 4 |
| 6-04 | HN16N-6-04 | Screw | | 4 |
| 7-01 | HN16N-7-01 | Positioning Block | | 2 |
| 7-02 | TS-1523061 | Set Screw | M6x20 | 4 |
| 7-03 | TS-1504041 | Socket Head Cap Screw | M8x20 | 7 |
| 8-01 | HN16N-8-01 | Table | | 1 |
| 8-02 | HN16N-8-02 | Base | | 1 |
| 8-03 | HN16N-8-03 | Scale (left) | | 1 |
| 8-04 | HN16N-8-04 | Scale (right) | | 1 |