



# Operating Instructions and Parts Manual

## Dual-Sided 16ga. Box and Pan Brake

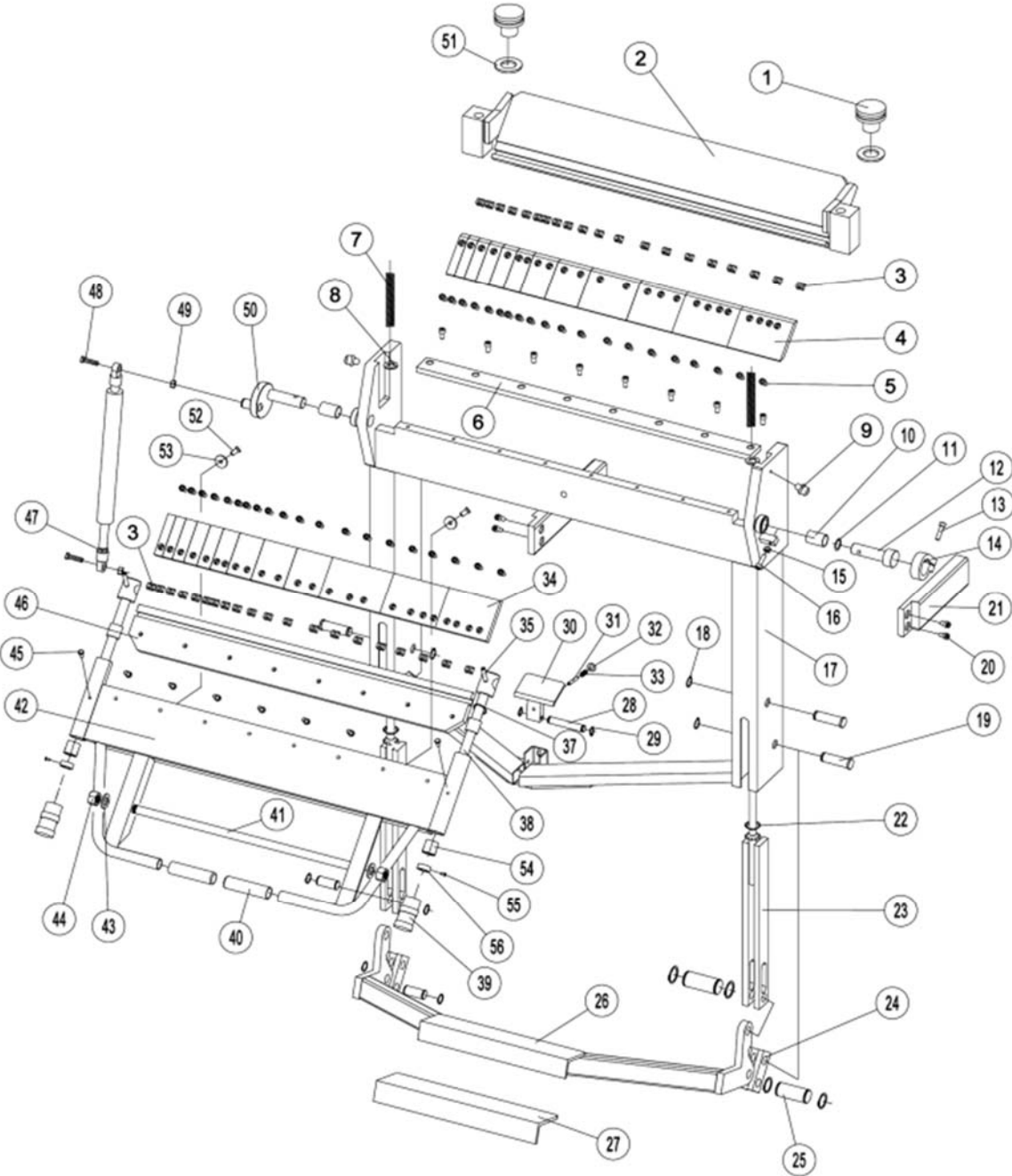
Model PBF-1650D



**JET**  
427 New Sanford Road  
LaVergne, Tennessee 37086  
Ph.: 800-274-6848  
[www.jettools.com](http://www.jettools.com)

**Part No. M-752130**  
Edition 2 08/2018  
Copyright © 2016 JET

10.1.1 BPF-1650D Box and Pan Brake – Exploded View



## 10.1.2 PBF-1650D Box and Pan Brake – Parts List

Index No	Part No	Description	Size	Qty
1	H40-210	Adjusting Nut		2
2	PBF1650D-02	Clamping Leaf		1
3	PBF1650D-03	T-Nut		48
4-1	PBF1650D-04-1	Upper Finger	1"	1
4-2	PBF1650D-04-2	Upper Finger	1-1/8"	1
4-3	PBF1650D-04-3	Upper Finger	1-3/8"	1
4-4	PBF1650D-04-4	Upper Finger	1-1/2"	1
4-5	PBF1650D-04-5	Upper Finger	1-3/4"	1
4-6	PBF1650D-04-6	Upper Finger	2"	1
4-7	PBF1650D-04-7	Upper Finger	3"	1
4-8	PBF1650D-04-8	Upper Finger	4"	1
4-9	PBF1650D-04-9	Upper Finger	6"	1
4-10	PBF1650D-04-10	Upper Finger	7-3/4"	1
4-11	PBF1650D-04-11	Upper Finger	10"	1
4-12	PBF1650D-04-12	Upper Finger	10-5/8"	1
5	TS-1505021	Socket Head Cap Screw	M10x20	66
6	PBF1650D-06	Clamping Block		1
7	PBF1650D-07	Adjusting Nut Spring		2
8	TS-155011	Flat Washer	20mm	6
9	PBF1650D-09	Grease Fitting	M8x1	2
10	H40-227	Bushing		2
11	H40-226	Flat Washer	30	2
12	H40-209	Bending Leaf Pin		1
13	TS-1505051	Socket Head Cap Screw	M10x35	1
14	H40-204	Stop Collar		1
15	TS-1540071	Hex Nut	M10	1
16	TS-1505061	Socket Head Cap Screw	M10x40	1
17	PBF1650D-17	Leg		2
18	BPF1240-18	Ext. Retaining Ring	25mm	13
19	H40-208	Leg Pin		3
20	TS-1505041	Socket Head Cap Screw	M10x30	4
21	H40-217-3G	Extension Bracket		2
22	PBF1650D-22	Disc Spring	Ø40xØ20x1mm	4
23	H40-205	Rod		2
24	H40-206	Foot Pedal Lever		4
25	H40-207	Lever Pin		4
26	PBF1650D-26	Foot Pedal		1
27	H40-402	Tread Plate Rubber		1
28	H40-211	Roll Pin		1
29	BPF1240-29	Ext. Retaining Ring	10mm	2
30	H40-213	Foot Pedal Lock		1
31	BPF1240-31	Spring Pin	8x50mm	1
32	TS-1550061	Flat Washer	8mm	1
33	H40-212	Pedal Lock Spring		1
34-1	PBF1650D-34-1	Lower Finger	1"	1
34-2	PBF1650D-34-2	Lower Finger	1-1/8"	1
34-3	PBF1650D-34-3	Lower Finger	1-3/8"	1
34-4	PBF1650D-34-4	Lower Finger	1-1/2"	1
34-5	PBF1650D-34-5	Lower Finger	1-3/4"	1
34-6	PBF1650D-34-6	Lower Finger	2"	1
34-7	PBF1650D-34-7	Lower Finger	3"	1
34-8	PBF1650D-34-8	Lower Finger	4"	1
34-9	PBF1650D-34-9	Lower Finger	6"	1
34-10	PBF1650D-34-10	Lower Finger	7-3/4"	1
34-11	PBF1650D-34-11	Lower Finger	10"	1
34-12	PBF1650D-34-12	Lower Finger	10-5/8"	1
35	BPF1240-31	Spring Pin	8x50mm	2
37	PBF1650D-37	O-Ring	25x3.55mm	2
38	PBF1650D-38	Setback Rod		2

Index No	Part No	Description	Size	Qty
39	PBF1650D-39	Setback Knob		2
40	PBF1650D-40	Operating Handle		2
41	PBF1650D-41	Adjusting Rod		1
42	PBF1650D-42	Bending Leaf		1
43	TS-1550111	Flat Washer	20	2
44	TS-2310201	Hex Nut	M20	2
45	TS-2228161	Hex Cap Screw	M8x16	2
46	PBF1650D-46	Fixing Plate		1
47	PBF1650D-47	Air Spring		1
48	TS-2211451	Hex Cap Screw	M12x45	2
49	TS-2311121	Hex Nut	M12	2
50	PBF1650D-50	Eccentric Holder		1
51	TS-155011	Flat Washer	M20	2
52	TS-1502021	Socket Head Cap Screw	M5x10	2
53	PBF1650D-53	Rubber Pad		2
54	PBF1650D-54	Bushing		4
55	TS-1521031	Socket Set Screw	M4x8	2
56	PBF1650D-56	Scale		2
	LM000240	ID/Warning Label, PBF-1650D (not shown)		1
	JET-165	JET Logo (not shown)	165x68mm	1