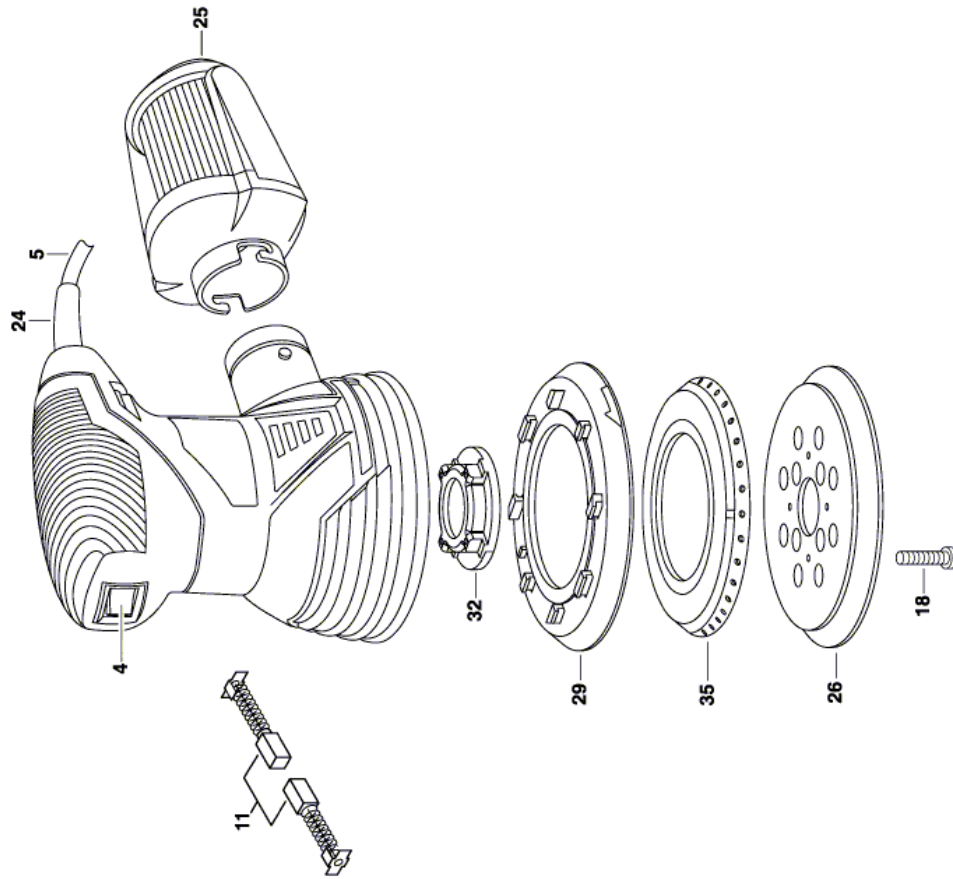


## Orbital Sander - F 012 749 201 - 7492

| Item | Part Number   | Description       | Illustration | Price | Quantity | Price Group |
|------|---------------|-------------------|--------------|-------|----------|-------------|
| 4    | 1 619 P04 797 | Switch            |              | 1     | -,-      | 1 23        |
| 5    | 1 619 P04 795 | Power supply cord |              | 1     | -,-      | 1 -         |
| 11   | 1 619 P04 798 | Carbon-Brush Set  |              | 1     | -,-      | 1 -         |
| 18   | 1 619 PA6 090 | Screw             |              | 1     | -,-      | 4 -         |
| 24   | 1 619 P04 796 | Cord guard        |              | 1     | -,-      | 1 -         |
| 25   | 1 619 P04 799 | Canister          |              | 1     | -,-      | 1 -         |
| 26   | 1 619 PA6 089 | Base Plate        |              | 1     | -,-      | 1 -         |
| 29   | 1 619 PA6 088 | Brake Plate       |              | 1     | -,-      | 1 -         |
| 32   | 1 619 PA6 086 | Bearing Plate     |              | 1     | -,-      | 1 -         |
| 35   | 1 619 PA6 087 | Friction Ring     |              | 1     | -,-      | 1 -         |

F 012 749 201  
Stand } 13-18  
Issue } 14-09-03  
**Fig./Abb. 1**



Änderungen vorbehalten  
Modifications reserved  
Modificacions reservades  
Salvo modificaciones