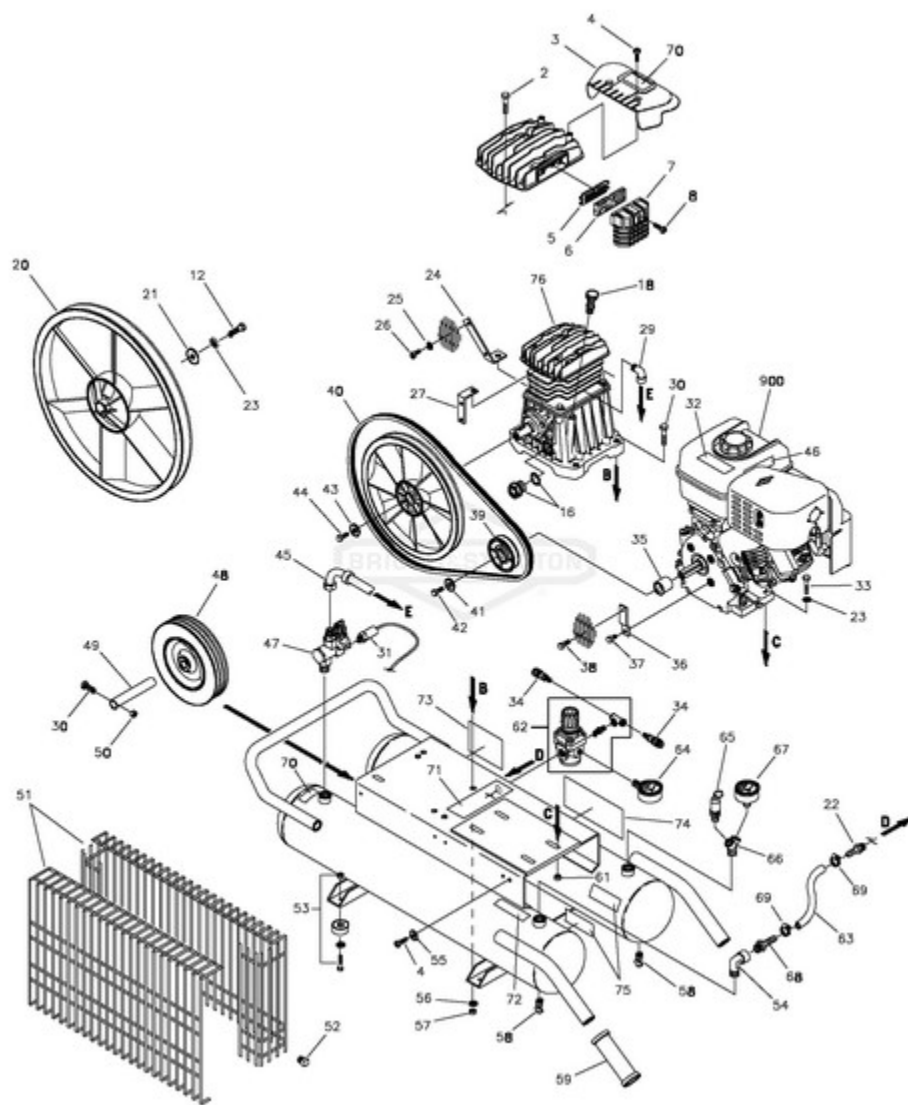


### 074002-0 - 9.2 CFM Wheelbarrow - Main Unit



Ref #	Part #	Description	Qty	Context Note	Foot Note
2		SCREW, M8 x 45		(Purchase locally)	
3	200699GS	CONVEYOR, Air			
4		PPHMS, 5 x 12		(Purchase locally)	
5	201389GS	PLATE, Filter			
6	200697GS	ELEMENT, Filtering			
7	201390GS	FILTER, Intake			
8		PPHMS, 4 x 18		(Purchase locally)	
9	200698GS	GASKET			
10	201382GS	KIT, Valve Plate Set			
12		HHCS, M8 x 25		(Purchase locally)	
16	200686GS	OIL LEVEL SIGHT GLASS			
18	201398GS	PLUG, Breather Pipe			
20	200702GS	FLYWHEEL			
21		WASHER		(Purchase locally)	
22	201408GS	FITTING, Hose Tail			
23		WASHER, M8, Shakeproof, Int		(Purchase locally)	
24	201401GS	PLATE			
25		WASHER, M5		(Purchase locally)	
26		SCREW, Self Threading, M5 x 14		(Purchase locally)	
27	201402GS	SPACER			
29	201404GS	CONNECTOR, Elbow			
30		HHCS, M10 x 45		(Purchase locally)	
31	201060GS	ACCELERATOR, Pneumatic			
32	200537GS	DECAL, Warning, Fuel Vapors			
33		HHCS, M8 x 45		(Purchase locally)	
34	200677GS	COUPLER, Quick Connect			
35	201405GS	SPACER			
36	201403GS	PLATE			
37		HHCS, M8 x 16		(Purchase locally)	
38		SHCS, M6 x 16		(Purchase locally)	
39	200695GS	PULLEY			
40	200693GS	BELT			
41		WASHER		(Purchase locally)	
42		HHCS, 5/16 x 25		(Purchase locally)	
43		WASHER		(Purchase locally)	
44		SCREW		(Purchase locally)	
45	201063GS	INFEED TUBE			
46	200538GS	DECAL, Warning, Hot Muffler			
47	201064GS	VALVE, Auto Unloading			
48	201061GS	WHEEL			

Ref #	Part #	Description	Qty	Context Note	Foot Note
49	201062GS	PIN, Wheel			
50		NUT Lock M6		(Purchase locally)	
51	200696GS	GUARD, Belt			
52	201409GS	CLAMP, Belt Guard			
53	192310GS	KIT, Vibration Mount		(Includes Qty of 2)	
54	201419GS	CONNECTOR, Elbow			
55		WASHER, M6		(Purchase locally)	
56		WASHER, M10		(Purchase locally)	
57		NUT, M10		(Purchase locally)	
58	200675GS	TAP, Discharge			
59	201411GS	HANDLE, Rubber			
61		NUT, M8 with Washer		(Purchase locally)	
62	201413GS	ASSY, Pressure Reducer			
63	201418GS	HOSE			
64	201420GS	GUAGE, Pressure			
65	201414GS	VALVE, Safety			
66	201416GS	ADAPTER			
67	201415GS	GUAGE, Pressure			
68	201417GS	FITTING, Hose Tail			
69		CLAMP, Hose		(Purchase locally)	
70	199175GS	DECAL, Hot Surface			
71	200775GS	DECAL, Starting Instructions			
72	200536GS	DECAL, Warning, Moving Parts			
73	199173GS	DECAL, Warning			
74	200535GS	DECAL, Warning			
75	199739GS	DECAL, Tank Drain			
76	201400GS	ASSY, Pump			
900		ENGINE		Contact Engine Manufacturer	
	198854GS	MANUAL, Operator's		Not Illustrated	
	201770GS	OIL, Compressor		Not Illustrated	
	200774GS	DECAL, Unloader Valve		Not Illustrated	
	201757GS	KIT, Decals, Srv		Not Illustrated	
	BB3061BGS	OIL BOTTLE, 18oz Engine		Not Illustrated	