

**Type:** JHM ShortSlugger Rev. X  
**Part no.:** 72721112360

<b>Item</b>	<b>Part no.</b>	<b>Designation</b>	<b>Quantity</b>
20	31412064000	Terminal	2
30	32198190010	Container	1
31	31498760060	Hose	1
70	30798591120	Cable	1
80	31998630020	Cover	1
85	30798757100	Cable tie	3
110	43098705585	Screw	4
120	43098703230	Screw	4
130	30798592040	Cable with plug	1
140	32198121000	Belt	1
150	33298492030	Magnetic foot 60Hz/120V	1
160	32217407000	Sticker	1
190	32198114000	Handle	3
200	31698391000	Connecting piece	1
220	43098705120	Screw	2
230	63998611060	Protective grille	1
290	43098710070	Screw	1
300	30798591095	Connecting cable	1
310	43098706480	Screw	3
320	31298332820	Guide	1
325	31298331050	Stop button	1
340	42498720630	Disc	3
350	42498720600	Disc	7
360	42498720500	Lock washer	3

**Type:** JHM ShortSlugger Rev. X  
**Part no.:** 72721112360

<b>Item</b>	<b>Part no.</b>	<b>Designation</b>	<b>Quantity</b>
370	42498720540	Disc	5
380	43098705060	Screw	1
390	43098705370	Screw	2
400	31298392602	Housing	1
410	30798510130	Cover	1
420	43098708100	Screw	2
430	31298330020	Handle	1
440	42616023000	Circlip	2
450	31698320055	Disc	2
460	31698320040	Bush	2
480	33298320040	Shaft	1
490	40298745000	Feather key	1
500	33698682000	Gear-wheel	1
510	43098705055	Screw	2
520	31298332540	Guide	1
530	31298330140	Housing	1
540	43098704060	Screw	6
550	30798591058	Switch module	1
560	30798550098	Electronics	1
570	42001027045	Hex nut	2
580	42498720440	Disc	12
590	30798591110	Plate	1
600	32498520090	Protective cap	1
610	30798755270	Pushbutton	1

**Type:** JHM ShortSlugger Rev. X  
**Part no.:** 72721112360

<b>Item</b>	<b>Part no.</b>	<b>Designation</b>	<b>Quantity</b>
620	30798755275	Pushbutton	1
630	31498531020	Cover	1
640	30798755410	Switch	1
650	43098704330	Screw	1
670	30610034008	Seal	1
690	30798757544	Nut	1
700	30798591085	Cable	1
770	41798730390	Grooved ball bearing	1
780	53298653020	Armature Set 120V	1
790	41798730200	Grooved ball bearing	4
800	31998633060	Air guide ring	2
810	43098705600	Screw	2
830	51298653020	Stator	1
840	31998633011	Motor housing	1
850	32498610180	Adapter	1
870	43098706660	Screw	4
880	30798653080	Cap	2
890	30798653100	Carbon brush	2
900	30798653120	Brush holder	2
910	43098705010	Screw	2
920	32498610160	Adapter	1
930	41798730120	Grooved ball bearing	2
940	42698740120	Ring	3
945	32217406002	Sticker	1

**Type:** JHM ShortSlugger Rev. X  
**Part no.:** 72721112360

<b>Item</b>	<b>Part no.</b>	<b>Designation</b>	<b>Quantity</b>
950	33698681030	Gear-wheel	2
970	40298742003	Pin	2
980	31998633040	Gearbox housing	1
990	40298745040	Feather key	3
1000	31998633020	Cover	1
1010	32498613000	Seal	1
1020	42698740080	Ring	1
1030	33698681050	Pinion	1
1040	33698681020	Shaft, toothed	1
1050	42498720560	Disc	2
1060	43098705040	Screw	2
1070	40698763020	Sealing ring	1
1080	41798730450	Grooved ball bearing	1
1090	42698741350	Ring	1
1100	33498621020	Pressure spindle	1
1110	40698763560	Ring	2
1120	31998633080	Ring	1
1130	42698740320	Ring	1
1140	30998744240	Spring	1
1150	33498223340	Plunger	1
1160	42498726030	Disc	1
1170	42498726060	Disc	1
1180	42698741190	Circlip	1
1280	31498761020	Hose socket	1

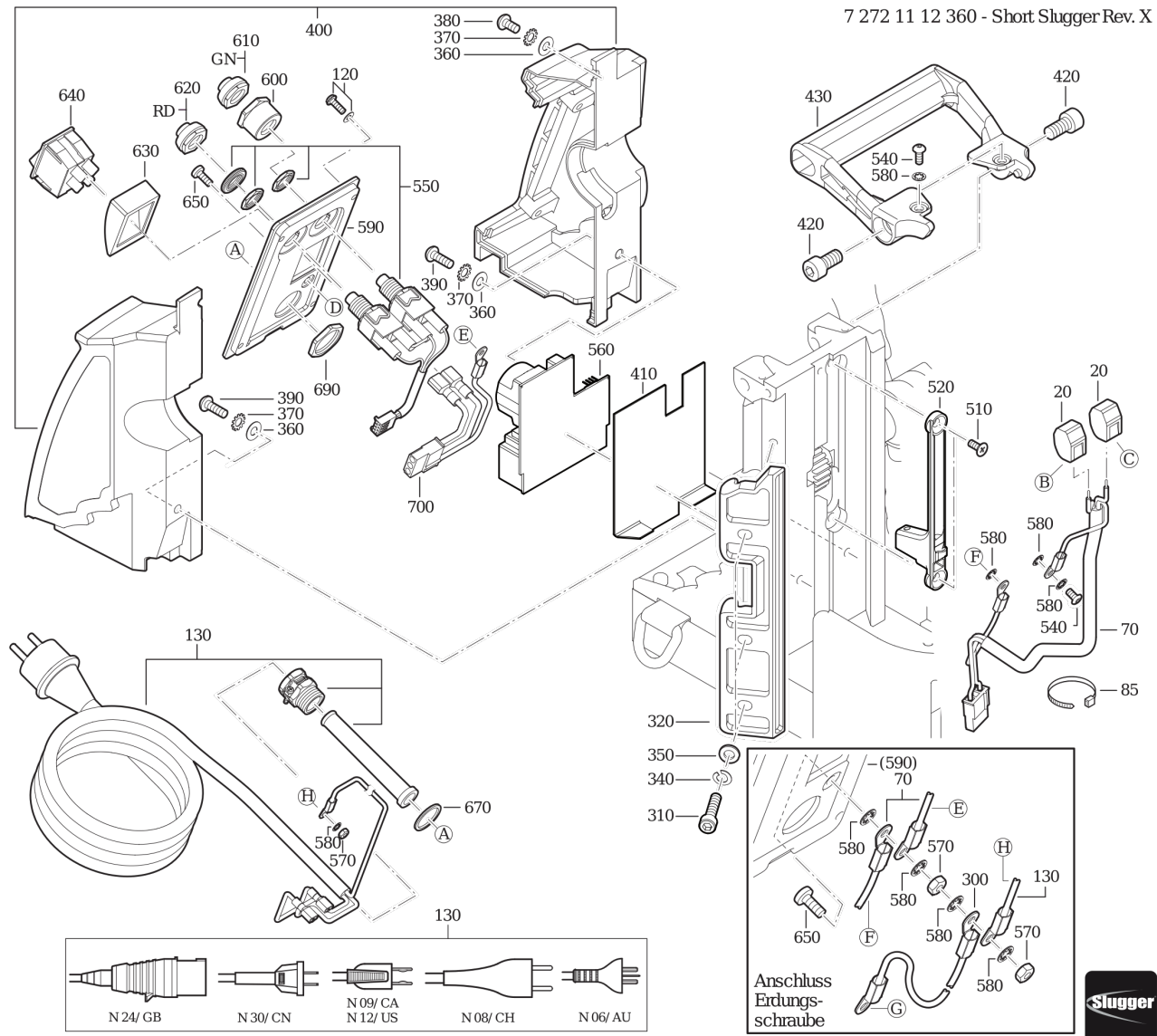
**Type:** JHM ShortSlugger Rev. X  
**Part no.:** 72721112360

<b>Item</b>	<b>Part no.</b>	<b>Designation</b>	<b>Quantity</b>
1290	43098709000	Screw	2
1300	31998630010	Cover	1
1330	31998631130	Guide	1
1340	43098706050	Screw	2
1350	33698680020	Gear rack	1
1360	43098705220	Screw	4
1370	43098704120	Screw	1
1380	40298742020	Pin	2
1400	52298690350	Stator unit 120V	1
2010	64298120140	Clamping unit	1
2020	31698321000	Connecting piece	1
2030	42098746000	Disc	1
5000	33998140025	CASE, CARRYING, JHM SHRTSLGGR W/ST	1
5370	32198131000	Belt	1
5380	62998780030	Wrench	1
5390	64298160400	Swarf hook	1
6000	32198766050	Lubricant tube 100g	2
9000	32217517000	RFID Transponder VE1	1



Type:  
Part no.:

JHM ShortSlugger Rev. X  
72721112360



Type:  
Part no.:

JHM ShortSlugger Rev. X  
72721112360

7 272 11 12 360 - Short Slugger Rev. X

