

Type: JHM Magforce
Part no.: 72720312360

Item	Part no.	Designation	Quantity
20	41798730450	Grooved ball bearing	1
40	33698681200	Gear-wheel	1
50	42698740160	Ring	2
80	40298742003	Pin	2
100	43098704220	Screw	12
110	42498720440	Disc	14
120	32198190030	Container	1
130	33298320100	Shaft	1
140	42698740500	Circlip	1
150	52298694180	Stator 120V	1
170	43098704100	Screw	8
180	31498535000	Cover	1
190	30798550060	Electronics 120V	1
210	31498535010	Housing	1
220	43098704340	Screw	2
240	33298493040	Magnetic foot 60Hz/120V	1
250	32198121000	Belt	1
260	43035017057	Cylinder head screw	4
270	42498720540	Disc	4
280	30798755410	Switch	1
290	30798757544	Nut	1
330	30798592760	Connecting cable	1
340	30798592040	Cable with plug	1
350	43098703100	Screw	1

Type: JHM Magforce
Part no.: 72720312360

Item	Part no.	Designation	Quantity
360	42498720350	Disc	2
370	42098746010	Nut	1
380	30798651120	Carbon brush	2
390	30798651160	Cap	2
400	31698391000	Connecting piece	1
410	32198114000	Handle	3
420	63998611030	PROTECTING LATTICE	1
430	32217407000	Sticker	1
435	32217429060	Information sign	1
540	31298392409 ↓ 31298392604	Housing	1
545	41798733100	Bush	1
546	41798733200	Bush	1
550	31598231500	Sleeve	1
560	42698740620	Circlip	1
580	43098709020	Screw	1
610	30798651140	Brush holder	2
630	43098705010	Screw	2
640	32498611030	Cover	1
670	30610034008	Seal	1
675	30798591068	Switch	1
680	32498520090	Protective cap	1
690	30798755270	Pushbutton	1
700	30798755275	Pushbutton	1

Type: JHM Magforce
Part no.: 72720312360

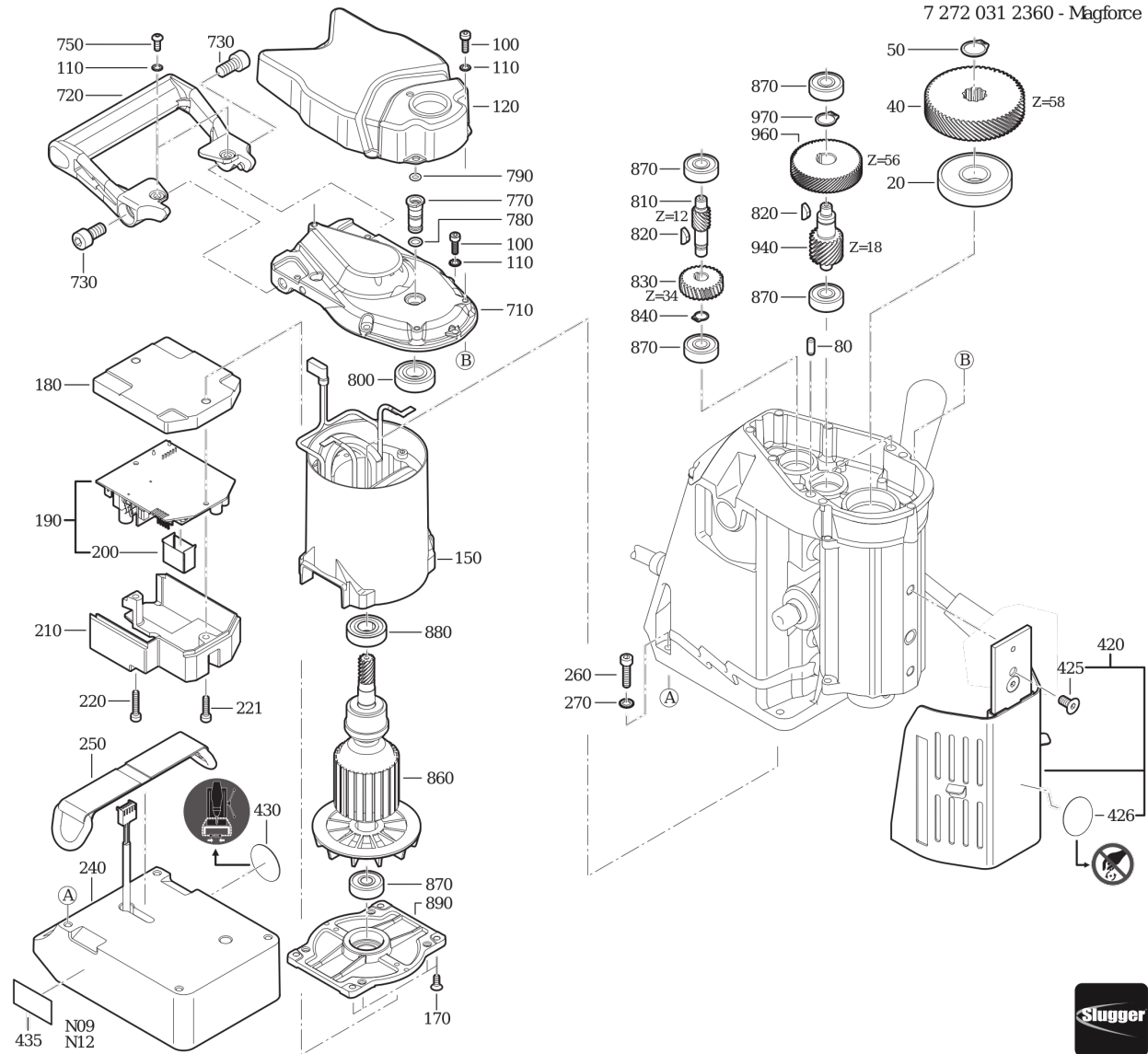
Item	Part no.	Designation	Quantity
710	31342621182	Cover	1
720	31298330020	Handle	1
730	43098708100	Screw	2
750	43098704060	Screw	2
770	31498761060	Connecting piece	1
780	40698763680	Ring	1
790	40698763660	Ring	1
800	41798730390	Grooved ball bearing	1
810	33698681260	Pinion	1
820	40298745840	Feather key	2
830	33698681280	Gear-wheel	1
840	42698740090	Circlip	1
860	53298651030	Armature 120V	1
870	41798730240	Grooved ball bearing	5
880	41798730390	Grooved ball bearing	1
890	33298333030	Bearing plate	1
900	33498223000	Sleeve	1
910	41798730630	Needle bearing	1
920	41798730570	Grooved ball bearing	1
930	42698741520	Circlip	1
940	33698681220	Pinion	1
960	33698681240	Gear-wheel	1
970	42698740130	Circlip	1
990	33498223040	Shaft	1

Type: JHM Magforce
Part no.: 72720312360

Item	Part no.	Designation	Quantity
1000	40698763080	Seal	1
1010	33498223020	Shaft	1
1030	30998744020	Spring	1
1040	33498223060	Plunger	1
1050	40698763100	Seal	1
1060	42698741190	Circlip	1
1080	42698740250	Circlip	1
1090	43098709000	Screw	4
5000	33998140065	CASE, CARRYIING JHM MAGF W/STICKERS	1
5030	62998780030	Wrench	1
5040	32198131000	Belt	1
5050	64298160400	Swarf hook	1
6000	32198766040	Lubricant can 0,400kg	1

Type:
Part no.:

JHM Magforce
72720312360



Type:
Part no.:

JHM Magforce
72720312360

