

**Type:** JHM USA 101  
**Part no.:** 72720212360

<b>Item</b>	<b>Part no.</b>	<b>Designation</b>	<b>Quantity</b>
20	31298335170	Cover	1
30	43098705060	Screw	1
40	43098705370	Screw	2
50	43098706050	Screw	1
60	42498727210	Disc	13
70	42498720640	Disc	1
80	31498760060	Hose	2
90	32198190050	Container	1
100	43098706440	Screw	3
110	31498531000	Housing insert	1
120	30798757100	Cable tie	1
140	43098703230	Screw	4
150	30798592040	Cable with plug	1
160	32198121000	Belt	1
170	33298491000	Magnetic foot 120V	1
180	32217407000	Sticker	1
185	32217429060	Information sign	1
190	32198114010	Handle	3
200	31698391000	Connecting piece	1
210	31498762000	Valve	1
220	43098703190	Screw	2
230	31598291020	Holder	1
240	43098706540	Screw	2
260	43098704080	Screw	2

**Type:** JHM USA 101  
**Part no.:** 72720212360

<b>Item</b>	<b>Part no.</b>	<b>Designation</b>	<b>Quantity</b>
270	63998611020	Protective grille	1
360	30798757544	Nut	1
460	31298391081	Housing	1
470	31298331040	Guide	1
480	43098706460	Screw	3
500	42098746060	Nut	3
510	43098706120	Screw	3
520	43098706240	Screw	3
530	42698740160	Ring	2
540	31698320055	Disc	2
550	31698320040	Bush	2
560	33298320040	Shaft	1
570	40298745000	Feather key	1
580	33298331020	Housing insert	1
590	43098705120	Screw	1
600	33698682000	Gear-wheel	1
610	33298310000	Plate	1
620	31298330020	Handle	1
625	43098708100	Screw	2
626	43098704060	Screw	2
630	31998631020	Cover	1
640	32498611000	Seal	1
650	41798730200	Grooved ball bearing	4
660	42698740140	Circlip	1

**Type:** JHM USA 101  
**Part no.:** 72720212360

Item	Part no.	Designation	Quantity
670	30610034008	Seal	1
675	40298745020	Feather key	1
680	33698681010	Gear-wheel	1
690	42698740170	Circlip	1
700	42698740120	Ring	3
710	40298745040	Feather key	2
720	33698681030	Gear-wheel	2
730	33698681020	Shaft, toothed	1
740	41798730120	Grooved ball bearing	2
750	33698681040	Pinion	1
760	40298742003	Pin	2
770	52298691070	Gearbox housing	1
780	40698763020	Sealing ring	1
790	41798730450	Grooved ball bearing	1
800	42698741350	Ring	1
810	33498621000	Shaft	1
820	43098705000	Screw	2
830	31998631080	Motor housing	1
835	32217406002	Sticker	1
850	30798651060	Carbon brush	2
870	43098704200	Screw	2
880	30798757000	Sleeve	1
890	43098705600	Screw	2
900	42498720540	Disc	6

**Type:** JHM USA 101  
**Part no.:** 72720212360

Item	Part no.	Designation	Quantity
910	51298651030	Stator	1
920	31998631040	Sleeve	1
930	41798730390	Grooved ball bearing	1
940	43098705440	Screw	4
950	53298651010	Armature 120V	1
960	30798651080	Cover	2
970	32498611020	Protective grille	1
980	42498726140	Disc	1
990	43098706635	Screw	4
1040	30798591047	Plate	1
1050	30798755275	Pushbutton	1
1060	30798755270	Pushbutton	1
1070	30798755410	Switch	1
1080	31498531020	Cover	1
1090	43098704330	Screw	1
1100	42498720440	Disc	9
1110	42001027045	Hex nut	2
1120	30798591065	Connecting cable	1
1130	30798591058	Switch module	1
1140	30798550260	Electronics 50Hz120V	1
1150	32498520090	Protective cap	1
1160	30298210020	Holder	1
1180	43098706160	Screw	2
1190	33498221020	Sleeve	1

**Type:** JHM USA 101  
**Part no.:** 72720212360

Item	Part no.	Designation	Quantity
1200	40698763520	Sealing ring	1
1210	42698740440	Circlip	2
1220	40698763500	Sealing ring	2
1230	31498761000	Nipple	1
1240	33498220020	Distributor	1
1250	40298742080	Pin	1
1260	33498221040	Sleeve	1
1270	40698763540	Sealing ring	2
1280	33498222000	Shaft	1
1290	43045024088	Set screw	4
1300	43098709000	Screw	4
1310	33498221080	Pressure piece	1
1320	30998744080	Spring	1
1330	33498221060	Plunger	1
1340	42498726040	Sealing ring	1
1350	42498726060	Disc	1
1360	42698741190	Circlip	1
1370	42698740340	Ring	1
1390	40298742020	Pin	4
1400	31998631120	Flange	1
1410	43098704200	Screw	1
1430	42098746060	Nut	1
1440	31998631100	Guide	1
1450	43098706050	Screw	3

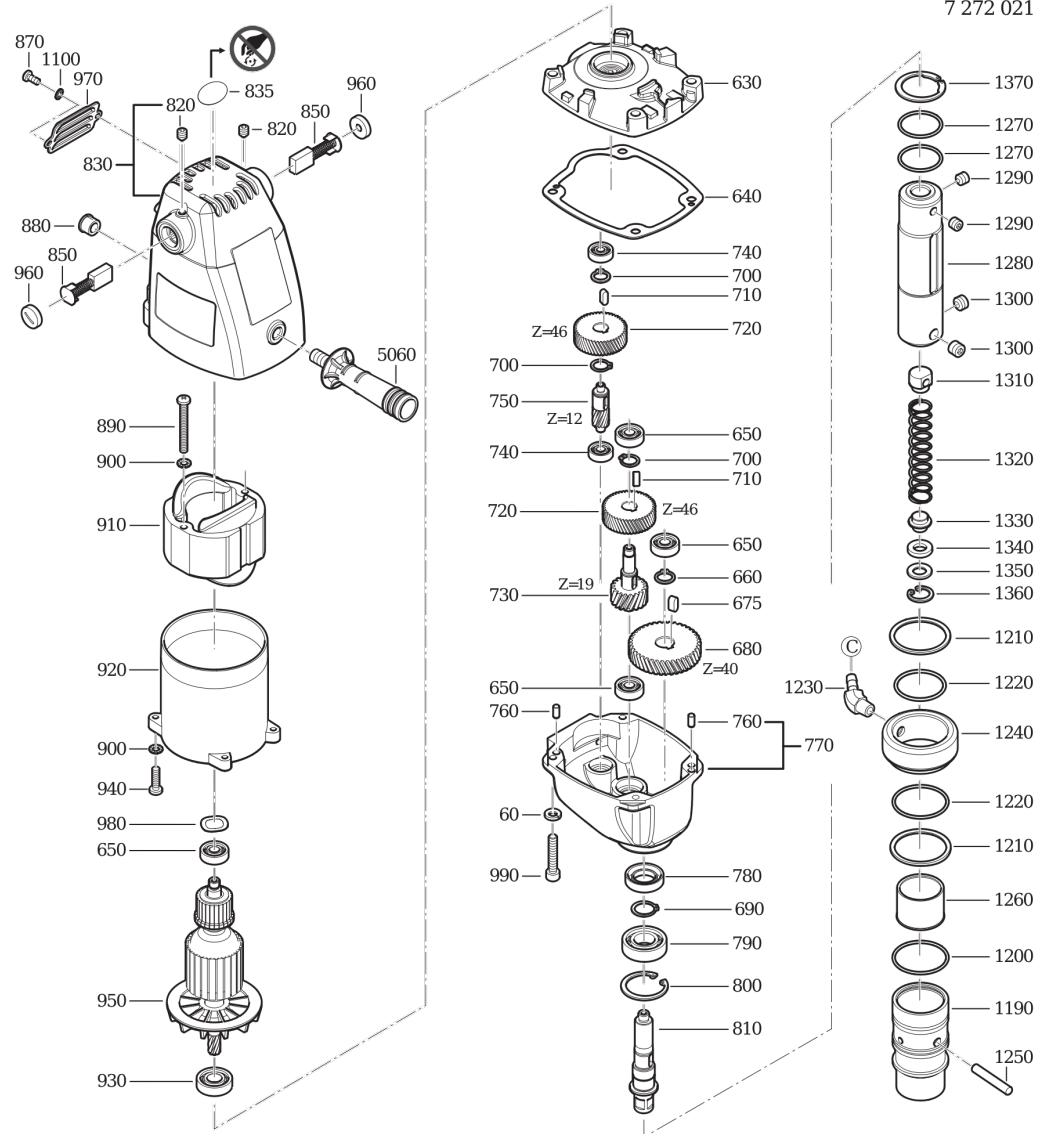
**Type:** JHM USA 101  
**Part no.:** 72720212360

<b>Item</b>	<b>Part no.</b>	<b>Designation</b>	<b>Quantity</b>
1460	43098706540	Screw	2
1470	33698680020	Gear rack	1
1480	43098706580	Screw	2
1490	30798591026	Connecting cable	1
1510	30798753140	Plug	1
2010	64298120140	Clamping unit	1
2020	31698321000	Connecting piece	1
2030	42098746000	Disc	1
5000	33998140095	CASE, CARRYING, USA101	1
5010	63134998310	Centering pin	1
5020	63134998300	Centering pin	1
5030	62998780030	Wrench	1
5040	32198131000	Belt	1
5050	64298160400	Swarf hook	1
5060	32198114100	Handle	1

Type:  
Part no.:

JHM USA 101  
72720212360

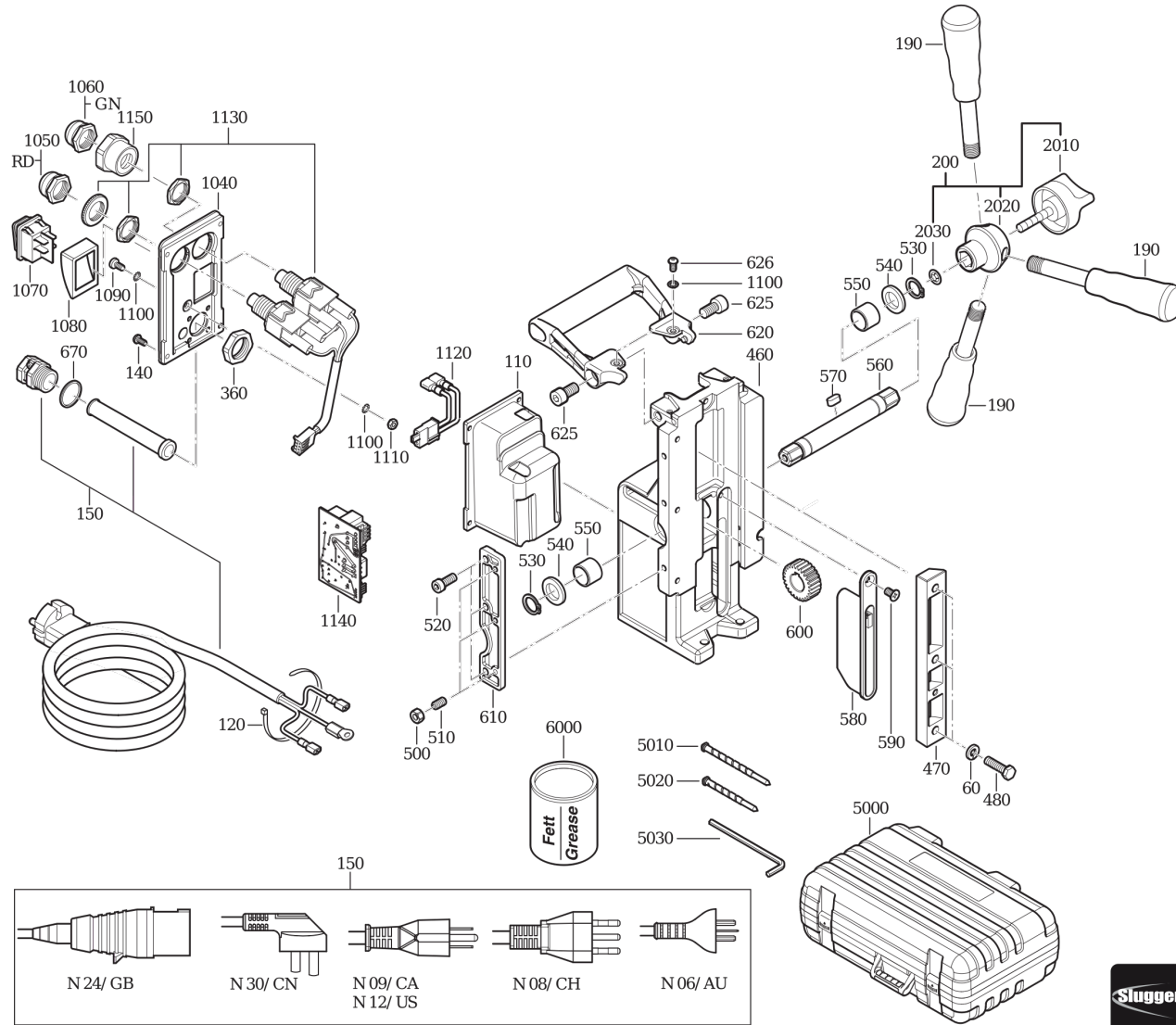
7 272 021 2360 - USA 101



Type:  
Part no.:

JHM USA 101  
72720212360

7 272 021 2360 - USA 101





Type:  
Part no.:

JHM USA 101  
72720212360

7 272 021 2360 - USA 101

