

**Type:** KBH 25 S (60Hz, 120V)  
**Part no.:** 72710409360

<b>Item</b>	<b>Part no.</b>	<b>Designation</b>	<b>Quantity</b>
10	53273010110	Armature 50/60Hz,110-120V Z=6	1
20	32416098005	Plate	1
30	41701007050	Grooved ball bearing	1
40	32612135000	Sealing ring	1
55	31406053010	Sleeve Set	1
60	31406053007	Sleeve	1
70	30711136002	Carbon brush	2
75	32172010005	Ring magnet	1
80	32424029000	Cover	2
90	43074013000	Screw	2
100	43072012001	Screw	4
110	31413233000	Cable grommet	1
120	30707489010	Cable with plug N09 60Hz120V	1
130	31903219000	Motor housing	1
140	51273006110	Stator 50/60Hz,110-120V	1
150	31428168000	Air guide ring	1
180	30712088029	Brush holder	2
190	43074013000	Screw	2
200	30762519990	Electronics	1
210	30719815010	Connecting cable	1
220	30719816010	Connecting cable	1
230	30719814010	Connecting cable	1
240	31204187000	Handle half shell	1
250	30701292010	Switch	1

**Type:** KBH 25 S (60Hz, 120V)  
**Part no.:** 72710409360

<b>Item</b>	<b>Part no.</b>	<b>Designation</b>	<b>Quantity</b>
260	32431043002	Cable clamping piece	1
270	43074010000	Screw	1
280	31204188000	Handle half shell	1
290	43072013005	Screw	2
300	43074008000	Screw	3
315	33761001010	Clutch	1
380	31508296000	Gearbox housing	1
390	41701001172	Grooved ball bearing	2
400	41701202018	Grooved ball bearing	2
405	33403124010	Shaft zg	1
415	41709039003	Roller	1
420	30901382000	Spiral spring	1
430	30216150000	Bolt	1
440	30217361000	Bolt	2
450	41701109051	Grooved ball bearing	1
460	42616009003	Circlip	1
470	41708019004	Ball	2
480	30216152000	Bolt	2
490	30235025000	Circlip	2
510	33763064000	Shaft, toothed Z=17	1
520	33661002000	Gear-wheel Z=36	1
540	33663177000	Gear-wheel Z=39	1
560	41701006034	Grooved ball bearing	1
570	42644013000	Circlip	1

**Type:** KBH 25 S (60Hz, 120V)  
**Part no.:** 72710409360

<b>Item</b>	<b>Part no.</b>	<b>Designation</b>	<b>Quantity</b>
580	41708025004	Ball	2
590	32602091000	Ring	1
600	30901383000	Spiral spring	1
610	30503165000	Sleeve	1
620	30504114000	Disc	1
630	42616076000	Circlip 28X1,5	1
645	31506383010	Intermediate gear box	1
670	40242058004	Pin	2
680	30610048000	Seal	1
700	33661003000	Wheel	1
715	30109230010	Draw key Set	1
720	30216174000	Roller	6
730	32408435000	Disc	4
740	42643011006	Circlip	2
820	30109206000	Sleeve	1
830	30109207000	Sleeve	1
840	30504113010	Disc	1
860	30911010000	Spring	1
870	32408446000	Disc	1
880	41708017002	Ball	3
2000	32217496060	Sticker	1
2010	32217521000	Information sign	1
2500	32217517000	RFID Transponder VE1	1
5000	33901122120	Tool case	1

**Type:** KBH 25 S (60Hz, 120V)

**Part no.:** 72710409360

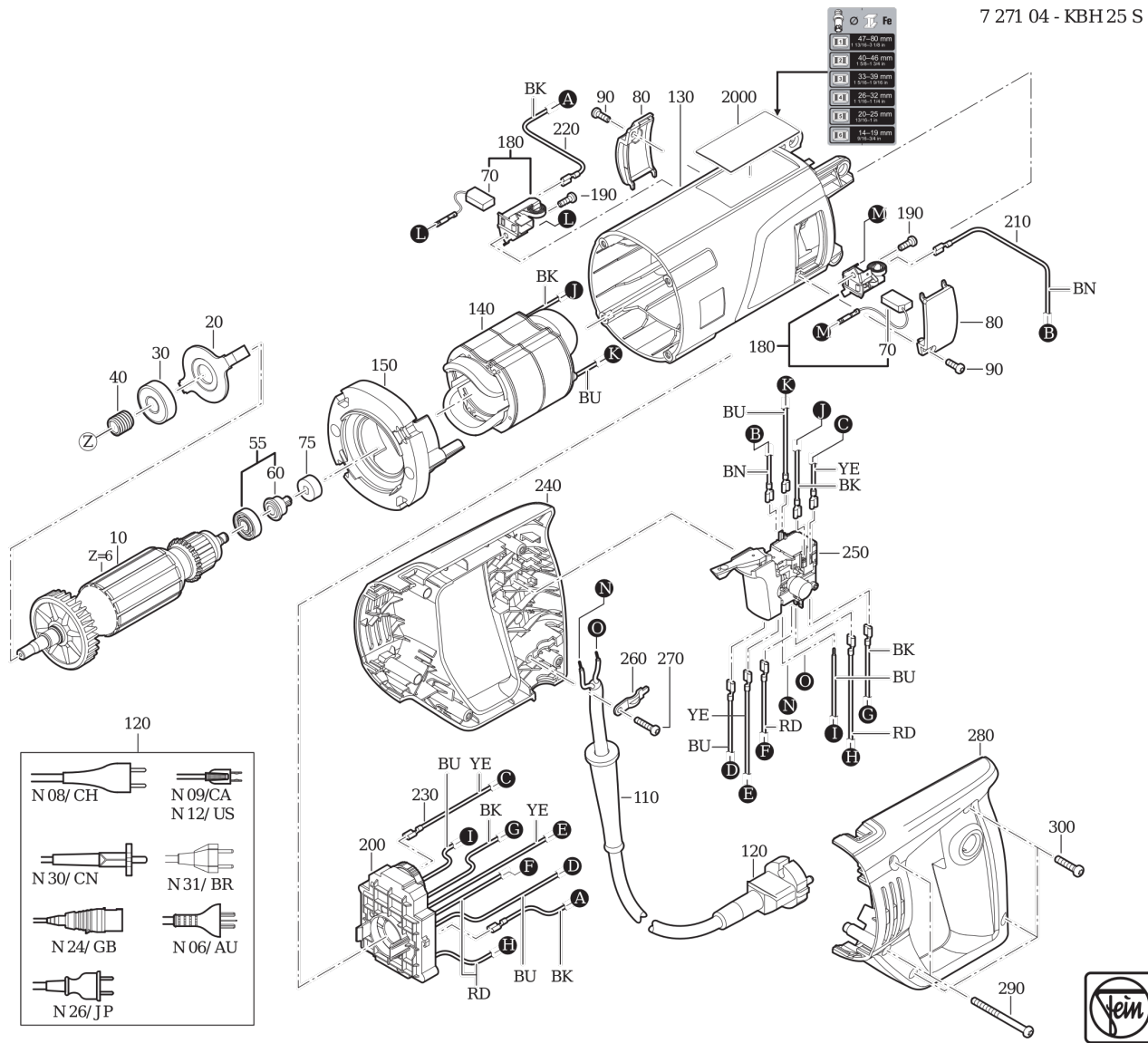
---

<b>Item</b>	<b>Part no.</b>	<b>Designation</b>	<b>Quantity</b>
5010	63114038010	Centring drill bit	1
5200	32119122000	Handle	1
5210	30232050000	Wire clamp	2
5300	33904428010	EPP insert KBH25	1
5400	32119078030	Handle	1
6000	32160003135	Lubricant tube 0,085 kg	1

**Type:**  
**Part no.:**

KBH 25 S (60Hz, 120V)  
72710409360

7 271 04 - KBH 25 S



Type:  
Part no.:

KBH 25 S (60Hz, 120V)  
72710409360

7 271 04 - KBH 25 S

