

Type: JME ShortSlugger II (60Hz, 120V)
Part no.: 72709409110

Item	Part no.	Designation	Quantity
25	51299011110	Stator 120V60H	1
35	31428208000	Air guide ring	1
45	53299018110	Armature 120V60H	1
50	42616006007	Circlip	1
55	40242058004	Pin	2
60	43072003006	Screw	2
70	42616027009	Circlip	1
85	41701010001	Grooved ball bearing	1
105	30712099010	Brush holder	2
130	43072010009	Screw	8
150	32427177000	Cover	1
180	31207346000	Cable duct	1
210	31506422000	Intermediate gear box	1
220	41701000034	Grooved ball bearing	1
260	31508323010	Gearbox housing	1
270	41701000035	Grooved ball bearing	3
280	41701000036	Grooved ball bearing	1
285	32408464000	Disc	1
290	30501410000	Bush	1
300	42616009003	Circlip	1
310	33406359000	Shaft	1
320	40221040006	Feather key	1
330	33613129000	Gear-wheel Z=67	1
335	41138025006	Hose socket	1

Type: JME ShortSlugger II (60Hz, 120V)
Part no.: 72709409110

Item	Part no.	Designation	Quantity
340	30501377000	Sleeve	1
350	33406358000	Shaft, toothed Z=12	1
360	40608000010	Sealing ring	2
380	33605013000	Gear-wheel Z=67	1
390	30610060000	Seal	1
395	43033064066	Cylinder head screw	4
400	30109231010	Connecting piece	1
405	34300000048	Guide strip	1
410	34300000049	Guide strip	1
415	33812012000	Gear rack	1
420	43058008051	Set screw	3
425	43033084045	Cylinder head screw	5
430	30901418000	Spring	1
435	40201045002	Straight pin	1
440	30503145006	Sealing ring	1
445	43033007050	Cylinder head screw	2
450	32408389000	Disc	1
460	42616033009	Circlip	1
470	43098709000	Screw	2
705	31901244000	Motor housing	1
725	31207344000	Housing	1
730	31698320055	Disc	2
735	31698320040	Bush	2
740	30904047000	Leaf spring	1

Type: JME ShortSlugger II (60Hz, 120V)
Part no.: 72709409110

Item	Part no.	Designation	Quantity
745	43076001030	Screw	1
750	31207345000	Guide strip	1
760	43098705160	Screw	2
840	33406361000	Shaft	1
850	33615051000	Gear-wheel Z=25	1
855	40221030007	Feather key	1
860	42616023000	Circlip	2
890	32119114040	Handle	3
900	32429163020	Cover Set	1
910	32429170000	Cover	1
920	30701319010	Switch	1
930	30701281000	Switch	1
955	30707590010	Cable with plug	1
956	32431052010	Screw connection	1
957	31413007007	Cable grommet	1
958	31413177009	Protective cap	2
960	30798757544	Nut	1
970	30610034008	Seal	1
990	30762637990	Electronics	1
1000	43014000005	Screw	4
1030	43064023045	Fillister head screw	2
1050	43074008000	Screw	6
1055	43033084045	Cylinder head screw	1
1065	43035013058	Cylinder head screw	2

Type: JME ShortSluggler II (60Hz, 120V)
Part no.: 72709409110

Item	Part no.	Designation	Quantity
1070	43033064066	Cylinder head screw	4
1080	32172040010	Magnetic foot	1
1285	30720069010	Connecting cable	1
1290	30720030010	Connecting cable	1
1295	30720031010	Connecting cable	1
1300	30720032010	Connecting cable	1
1310	30720033010	Connecting cable	1
1330	30728445000	Terminal	2
2000	32217406002	Sticker	1
2010	64298120140	Clamping unit	1
2030	42098746000	Disc	1
2040	32217507060	Information sign	1
2050	32217552000	Information sign	1
2060	32217523000	Information sign	1
2080	32217466060	Information sign	1
2090	32217429060	Information sign	1
5000	33901191010	Case	1
5010	30232052000	Wire clamp	2
5100	31810318000	Protective grille	1
5110	63134998310	Centering pin	1
5120	64298160400	Swarf hook	1
5130	32174008007	STRAP, SAFETY	1
5170	31414069000	Hose	1
5180	32131038020	Coolant tank	1

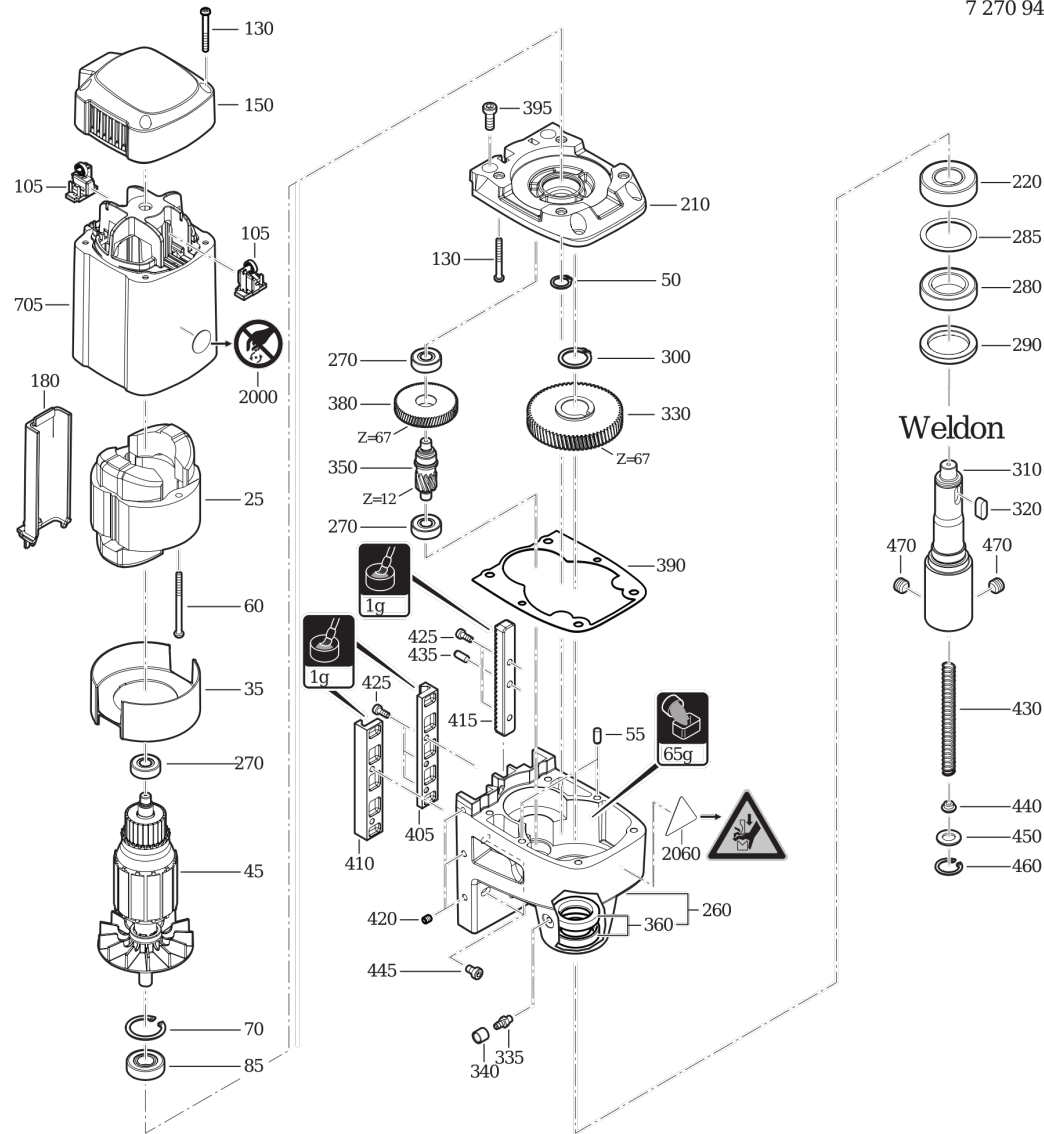
Type: JME ShortSluggler II (60Hz, 120V)
Part no.: 72709409110

Item	Part no.	Designation	Quantity
5190	30233103000	Terminal	2
5200	62912005000	Allen key	1
5220	63134998300	Centering pin	1
5230	63134998315	Centering pin	1

Type:
Part no.:

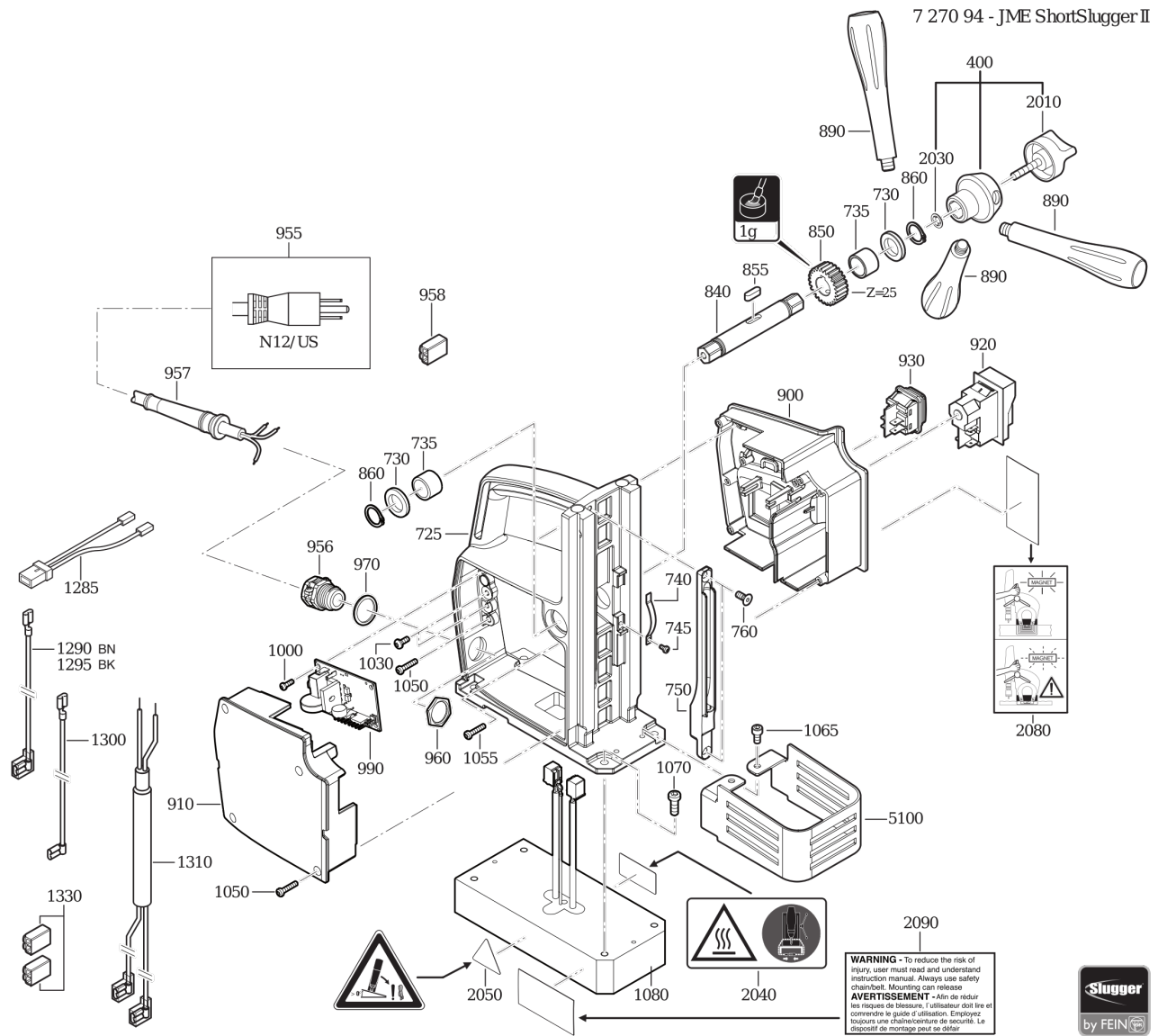
JME ShortSlugger II (60Hz, 120V)
72709409110

7 270 94 - JME ShortSlugger II



Type:
Part no.:

JME ShortSlugger II (60Hz, 120V)
72709409110



Type:
Part no.:

JME ShortSlugger II (60Hz, 120V)
72709409110

7 270 94 - JME ShortSlugger II

