



Operating Instructions and Parts Manual

ProShop II™ 10-inch Table Saw

Model JPS2-115, JPS2-230



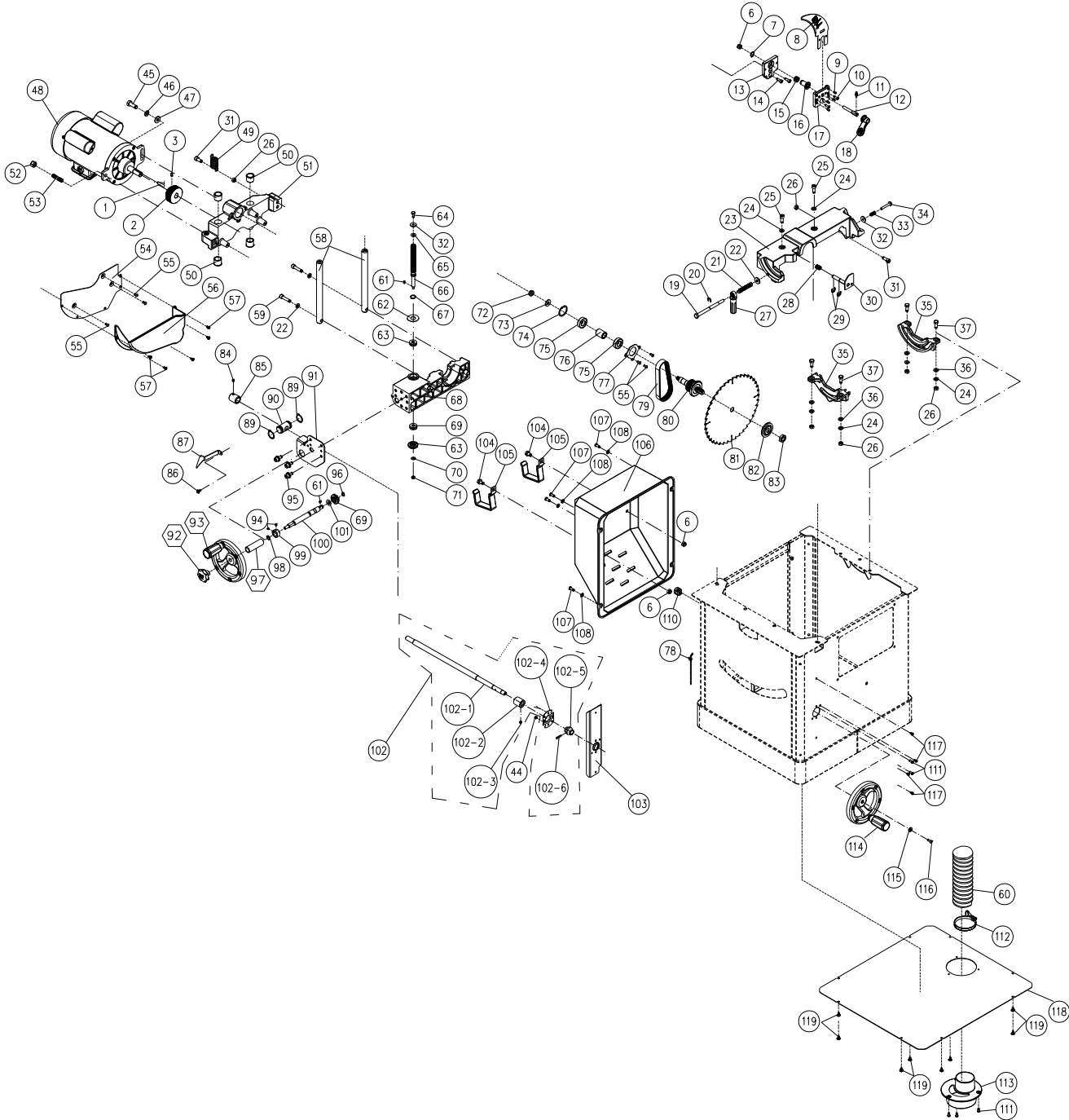
shown with cast wings, 52" rail set, and extension table

for serial no. 18061009 and higher

JET
427 New Sanford Road
LaVergne, Tennessee 37086
Ph.: 800-274-6848
www.jettools.com

Part No. M-725000
Edition 2 05/2018
ECR 180418082251
Copyright © 2018 JET

14.1.1 Motor and Trunnion – Exploded View



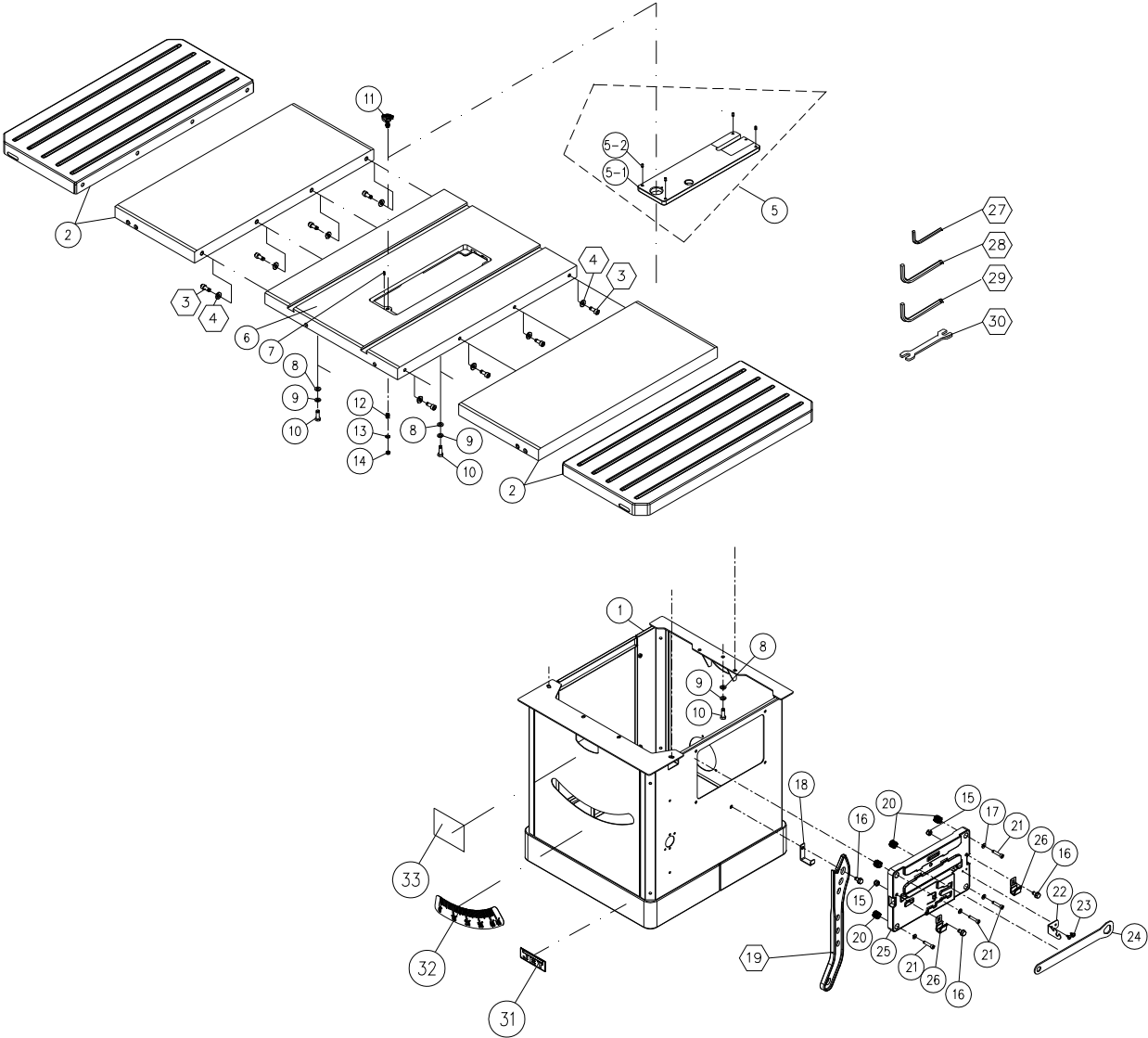
14.1.2 Motor and Trunnion – Parts List

Index No	Part No	Description	Size	Qty
1	6291479	Key, Dbl Rd Hd	5x5x30mm	1
2	JPS10TSC-102	Motor Pulley		1
3	TS-2276081	Socket Set Screw	M6-1.0Px8	2
6	TS-1541031	Nylon Lock Hex Nut	M8-1.25P	3
7	F006042	C-Retaining Ring, Ext	STW-14	1
8	JPS10TSC-108	Low Profile Riving Knife		1
9	TS-2276081	Socket Set Screw	M6-1.0Px8	4
10	TS-1533052	Phillips Pan Hd Machine Screw	M5-0.8Px16	2
11	JPS10TSC-111	Pin		1
12	JPS10TSC-112	Bolt		1
13	JPS10TSC-113	Riving Knife Clamp Base		1
14	TS-1504031	Socket Head Cap Screw	M8-1.25Px16	2
15	JPS10TSC-115	Spring		1
16	JPS10TSC-116	Bushing		1
17	JPS10TSC-117	Riving Knife Clamp Plate		1
18	JPS10TSC-118	Lock Handle		1
19	JPS10TSR-139	Bolt		1
20	JWTS10-138	E-Retaining Ring	ETW-8	1
21	JWTS10-141	Spring		1
22	TS-1550061	Flat Washer	M8	3
23	JPS10TSC-123	Trunnion Base		1
24	TS-2361081	Lock Washer	M8	9
25	TS-1504041	Socket Head Cap Screw	M8-1.25Px20	2
26	TS-1540061	Hex Nut	M8-1.25P	6
27	JWTS10-140	Lock Handle Kit		1
28	JPS10TSC-128	Spring		1
29	F006080	E-Retaining Ring	ETW-9	2
30	JPS10TSC-130	Spindle Lock Paddle		1
31	TS-1504041	Socket Head Cap Screw	M8-1.25Px20	2
32	TS-1550041	Flat Washer	M6	2
33	JWTS10-125	Spring		1
34	TS-1482081	Hex Cap Screw	M6-1.0Px40	1
35	JPS10TSR-173	Front & Rear Trunnion		2
36	TS-1550061	Flat Washer	M8	7
37	TS-1490041	Hex Cap Screw	M8-1.25Px25	4
44	TS-1541011	Nylon Lock Hex Nut	M5	2
45	TS-1491041	Hex Cap Screw	M10-1.5Px30	1
46	TS-2361101	Lock Washer	M10	1
47	TS-1550071	Flat Washer	M10	1
48	JPS10TSC-148-120	Motor	1.75HP 1PH 120V	1
	JPS10TSC-148-230	Motor	1.75HP 1PH 230V	1
	JPS10TSC-148MF	Motor Fan (not shown)		1
	JPS10TSC-148MFC	Motor Fan Cover (not shown)		1
	JPS10TSC-148CS	Centrifugal Switch (not shown)		1
	JPS10TSC-148SCC	Starting Capacitor Cover (not shown)		1
	JPS10TSC-148RCC	Running Capacitor Cover (not shown)		1
	JPS10TSC-148SC	Starting Capacitor (not shown)	200MFD, 125VAC	1
	JPS10TSC-148RC	Running Capacitor (not shown)	40µF, 300VAC	1
	JPS10TSC-148JB	Junction Box (not shown)		1
	JPS10TSC-148JBC	Junction Box Cover (not shown)		1
49	JPS10TSC-149	Spring		1
50	JPS10TSC-150	Bushing		4
51	JPS10TSC-151	Level Bracket		1
52	TS-2342101	Nylon Lock Hex Nut	M10-1.5P	1
53	JPS10TSC-153	Motor Bracket Pivot		1
54	JPS10TSC-154	Cover		1
55	TS-1533042	Phillips Pan Hd Machine Screw	M5-0.8Px12	6
56	JPS10TSC-156	Lower Dust Chute		1
57	TS-1533032	Phillips Pan Hd Machine Screw	M5-0.8Px8	5
58	JPS10TSC-158	Guide Bar		2

Index No	Part No	Description	Size	Qty
59	TS-1504071	Socket Head Cap Screw	M8-1.25Px35	2
60	JPS10TSC-160	Hose	2.5	1
61	JWP12-118	Key, Dbl Rd Hd	4x4x8mm	2
62	JPS10TSC-162	Plate		1
63	BB-51100	Thrust Bearing	51100	2
64	TS-1482031	Hex Cap Screw	M6-1.0Px16	1
65	TS-1550041	Flat Washer	M6	1
66	JPS10TSC-166	Lead Screw		1
67	F006044	C-Retaining Ring, Ext	STW-16	1
68	JPS10TSC-168	Lower Bracket		1
69	JPS10TSC-169	Bevel Gear		2
70	TS-1550041	Flat Washer	M6	1
71	TS-1541021	Nylon Lock Hex Nut	M6-1.0P	1
72	TS-2342101	Nylon Lock Hex Nut	M10-1.5P	1
73	TS-1550071	Flat Washer	M10	1
74	F006033	C-Retaining Ring, Int	RTW-35	1
75	BB-6003ZZ	Ball Bearing	6003ZZ	2
76	JPS10TSC-176	Spacer		1
77	JPS10TSC-177	Bearing Cover		1
78	JPS10TSC-178	Cable Clamp		1
79	JPS10TSC-179	Belt	142-J7	1
80	JPS10TSC-180	Arbor	5/8"	1
81	JPS10TSR-131	Saw Blade	10"x40T	1
82	JPS10TSC-182	Arbor Flange		1
83	JWTS10-133	Arbor Nut	5/8"-12	1
84	TS-1523011	Socket Set Screw	M6-1.0Px6	1
85	JPS10TSC-185	Limit Nut		1
86	TS-1533042	Phillips Pan Hd Machine Screw	M5-0.8Px12	1
87	JPS10TSC-187	Indicator		1
89	F006050	C-Retaining, Ext	STW-25	2
90	JPS10TSC-190	Guide Shaft		1
91	JPS10TSC-191	Shaft Bracket		1
92	JPS10TSC-192	Knob		1
93	JPS10TS-FHA	Front Handwheel Assembly (#93-1 thru #93-4)		1
93-1	JWTS10-147	Shaft (not shown)		1
93-2	JWTS10-145	Handle Cap (not shown)		1
93-3	JPS10TS-148	Handwheel (not shown)		1
93-4	JWTS10-146	Handle (not shown)		1
94	TS-1522011	Socket Set Screw	M5-0.8Px5	2
95	TS-1504041	Socket Head Cap Screw	M8-1.25Px20	3
96	F006040	C-Retaining Ring, Ext	STW-10	1
97	JPS10TSC-197	Bushing		1
98	JPS10TSC-198	O-Ring	P11	1
99	JPS10TSC-199	Bushing		1
100	JPS10TSC-1100	Lead Screw		1
101	TS-1550071	Flat Washer	M10	1
102	JPS10TSC-1102	Tilting Lead Screw Assembly (#102-1 thru 102-6)		1
102-1	JPS10TSC-11021	Lead Screw		1
102-2	JPS10TSC-185	Limit Nut		1
102-3	TS-1523011	Socket Set Screw	M6-1.0Px6	1
102-4	JWTS10-159	Collar Plate		1
102-5	JPS10TS-182	Turning Ball		1
102-6	F012072	Roll Pin	4x20mm	1
103	JPS10TSR-160	Support Bracket		1
104	TS-2228161	Hex Cap Screw	M8-1.25Px16	5
105	JPS10TSC-1105	Hook for Rip Fence		2
106	JPS10TSC-1106	Motor Cover		1
107	TS-1534052	Phillips Pan Head Mach Screw	M6-1.0Px16	4
108	TS-1550041	Flat Washer	M6	8
110	JPS10TSC-1110	Strain Relief	SR-6R1	1
111	TS-1533042	Phillips Pan Head Mach Screw	M5-0.8Px12	5

Index No	Part No	Description	Size	Qty
112	JPS10TSC-1112	Hose Clamp	60-80mm	1
113	JPS10TSC-1113A	Dust Chute (s/n 18061009 and higher)	1-1/2"to 4"	1
114	JPS10TS-SHA	Side Handwheel Assembly (#114-1, 93-1, 93-2, 93-4)		1
114-1	JPS10TS-168	Handwheel (Not shown)		1
115	TS-1502031	Socket Head Cap Screw	M5-0.8Px12	1
116	TS-2361051	Lock Washer	M5	1
117	F011315	Phillips Pan Hd Tap Screw	#10x1/2"	4
118	JPS10TSC-1118	Dust Plate (s/n 18061009 and higher)		1
119	ST059304	Phillips Pan Hd Tap Screw	M5x12	8

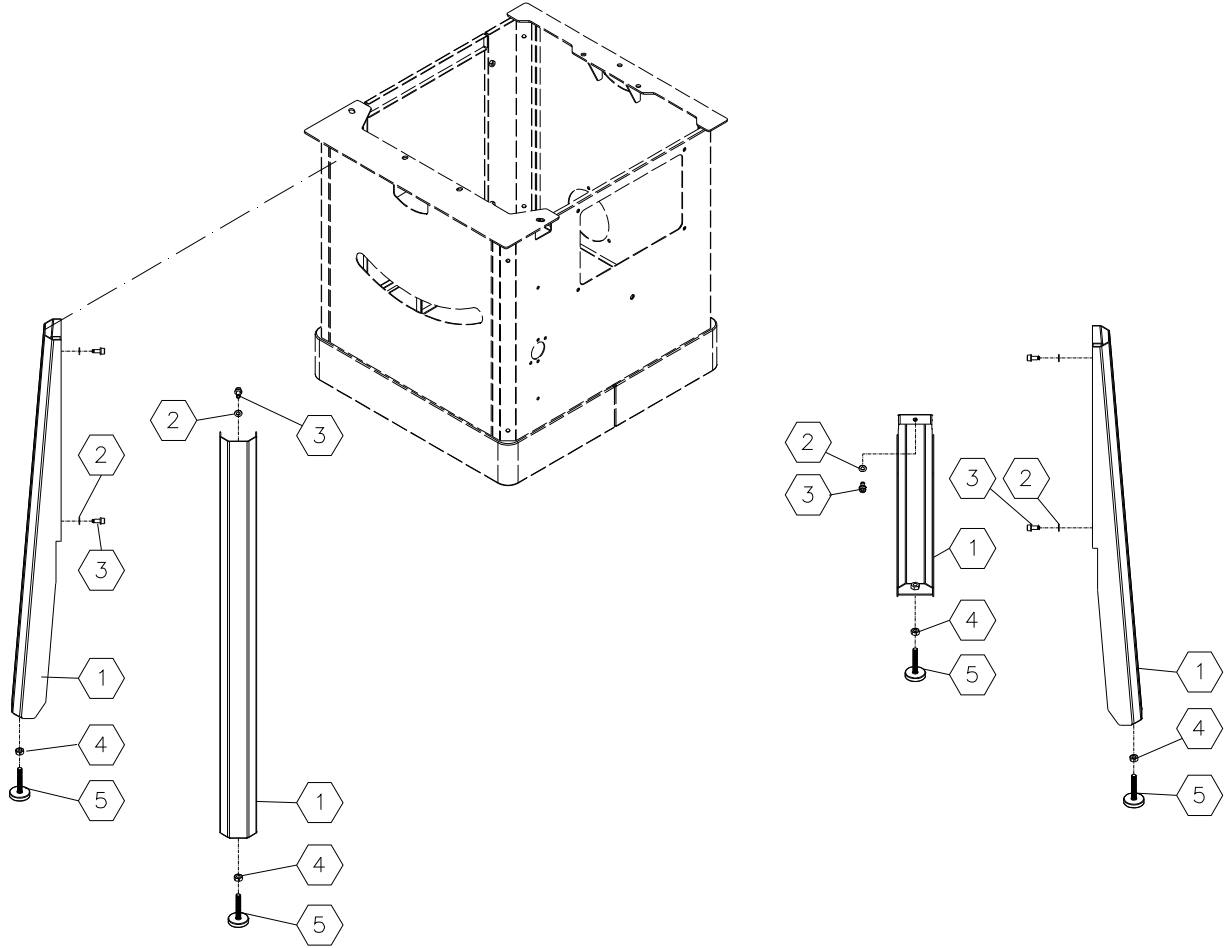
14.2.1 Table and Cabinet– Exploded View



14.2.2 Table and Cabinet– Parts List

Index No	Part No	Description	Size	Qty
1	JPS10TSC-201A	Cabinet (s/n 18061009 and higher)		1
2	725002	ProShop II Stamped Steel Wings (includes #3,4)		2
	725003	ProShop II Cast Wings (includes #3,4)		2
3	TS-1504041	Socket Head Cap Screw	M8-1.25x20	8
4	TS-1550061	Flat Washer	M8	8
5	JPS10TSC-205	Table Insert Assembly (#5-1, 5-2)		1
5-1	JPS10TSC-2051	Table Insert		1
5-2	TS-1522041	Socket Set Screw	M5-0.8x12	4
6	JPS10TSC-206	Main Table		1
7	6295178	Spring Pin	3x10 mm	1
8	TS-1550061	Flat Washer	M8	3
9	TS-2361081	Lock Washer	M8	3
10	TS-1490031	Hex Cap Screw	M8-1.25x20	3
11	JPS10TSC-211	Lock Knob		1
12	JPS10TSC-212	Spring		1
13	TS-1550031	Flat Washer	M5	1
14	TS-1541011	Nylon Lock Hex Nut	M5-0.8	1
15	TS-1541031	Nylon Lock Hex Nut	M8-1.25	3
16	TS-1490021	Hex Cap Screw	M8-1.25x16	3
17	TS-1550041	Flat Washer	M6	4
18	JPS10TSC-218	Hook		1
19	JPS10TSR-103	Push Stick		1
20	JPS10TSC-220	Spacer		4
21	TS-1503071	Socket Head Cap Screw	M6-1.0x30	4
22	JPS10TSC-222	Seat		1
23	ST059304	Phillips Pan Hd Tap Screw	M5x12	2
24	JPS10TSC-224	Arbor Wrench		1
25	JPS10TSC-225	Tool Storage		1
26	JPS10TSC-226	Miter Gauge Hook		2
27	5640841	Hex Wrench	2.5mm	1
28	TS-152705	Hex Wrench	4mm	1
29	TS-152706	Hex Wrench	5mm	1
30	JPS10TSR-104	Open End Wrench	11/13 mm	1
31	JET-92	JET Logo	92x38mm	1
32	JPS10TSC-232	Angle Scale		1
33	LM000310	Warning Label		1
34	LM000311	ID Label, JPS2-115 (not shown)		1
	LM000314	ID Label, JPS2-230 (not shown)		1

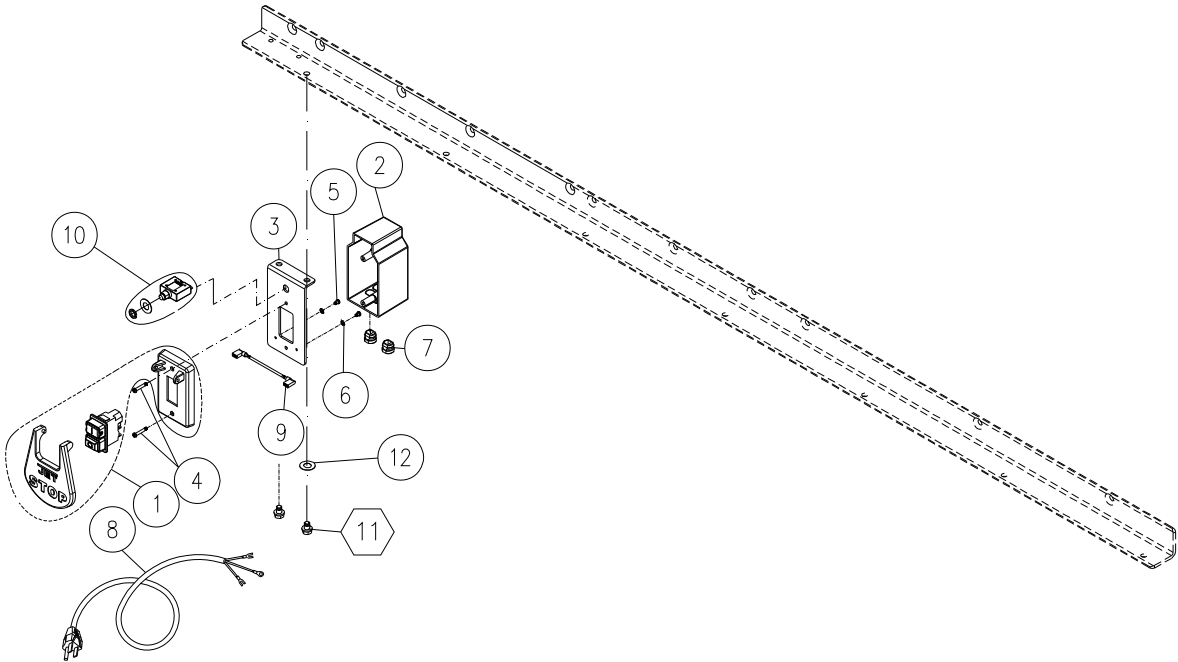
14.3.1 Stand Assembly – Exploded View



14.3.2 Stand Assembly – Parts List

Index No	Part No	Description	Size	Qty
1	JPS10TSC-301	Leg		4
2	TS-1550041	Flat Washer	M6	8
3	TS-1482031	Socket Head Cap Screw	M6-1.0x16	8
4	TS-1540061	Hex Nut	M8	4
5	JPS10TSC-305	Leveler		4

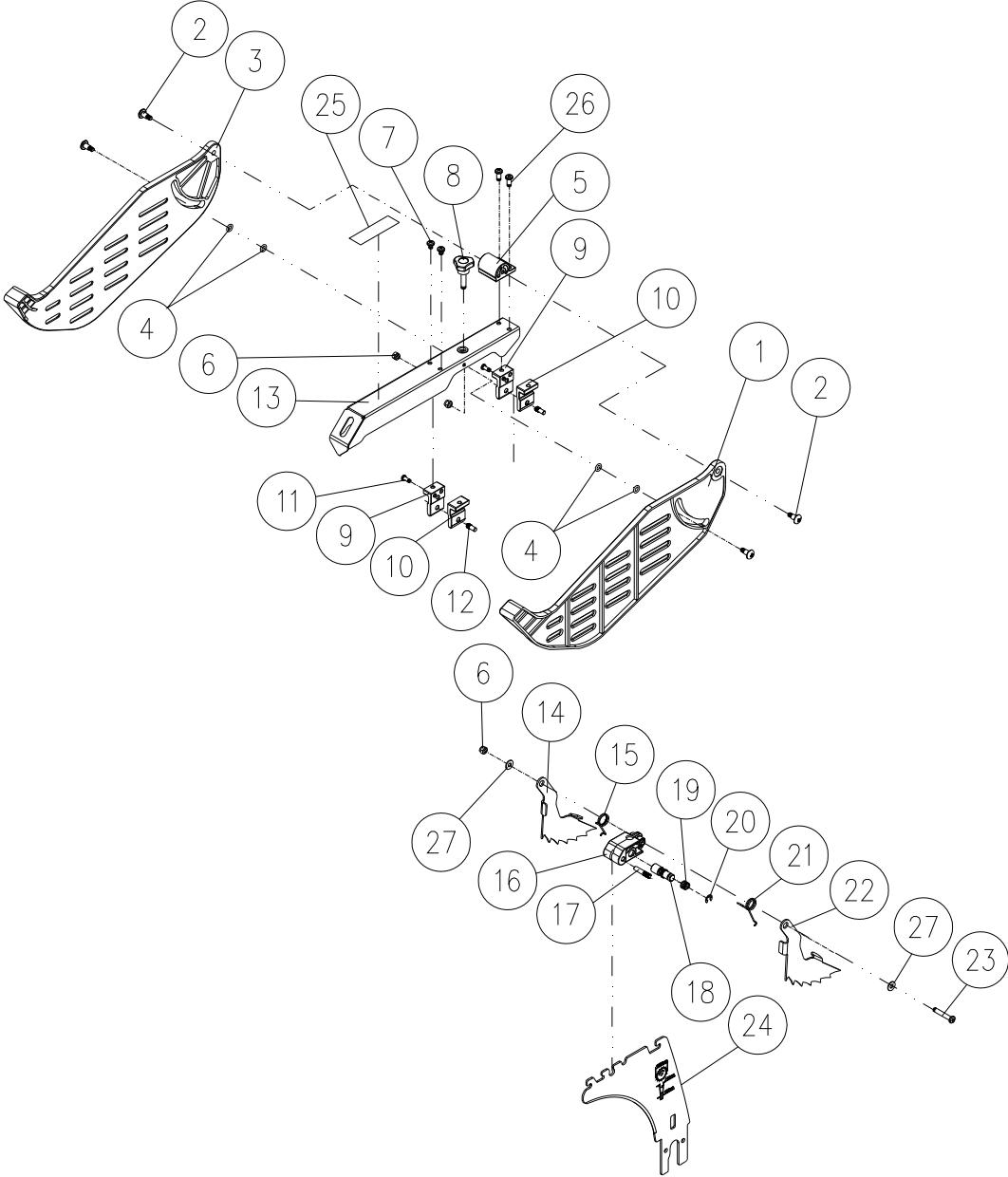
14.4.1 Switch Assembly – Exploded View



14.4.2 Switch Assembly – Parts List

Index No	Part No	Description	Size	Qty
1	JPS10TSC-401	Magnetic Switch Kit	120V	1
	JPS10TSC-401A	Magnetic Switch Kit	230V	1
2	JPS10TSC-402	Switch Box		1
3	JPS10TSC-403	Switch Plate		1
4	JPS10TSC-404	Machine Screw	M4x32	2
5	TS-2171012	Phillips Pan HD Mach Screw	M4-0.7x6	2
6	F002095	Lock Washer, Ext Tooth	M4	2
7	JPS10TS-351	Strain Relief	SR-6R3	2
8	JPS10TSC-408	Power Cable	5-15P, 115V	1
	JPS10TSC-408A	Power Cable	6-15P, 230V	1
9	JPS10TSC-409	Connection Wire		1
10	JPS10TSC-410	Overload Protector	18A, 115V	1
	JPS10TSC-410A	Overload Protector	9A, 230V	1
11	5507669	Hex Cap Screw	M8x10	2
12	TS-1550061	Flat Washer	M8	2
13	JPS10TSC-413	Motor Cable (not shown)		1

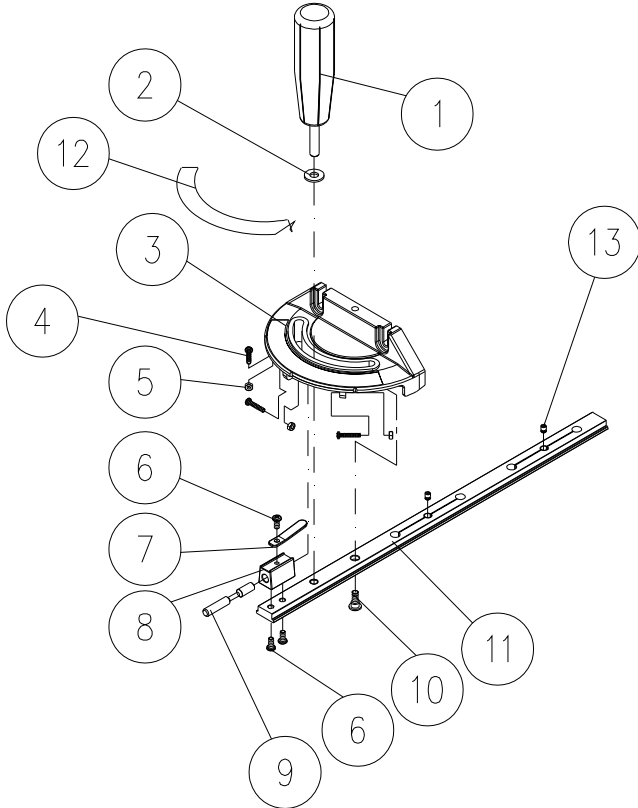
14.5.1 Blade Guard Assembly – Exploded View



14.5.2 Blade Guard Assembly – Parts List

Index No	Part No	Description	Size	Qty
1	JPS10TSC-501	Right Side Blade Guard		1
2	JPS10TSC-502	Screw		4
3	JPS10TSC-503	Left Side Blade Guard		1
4	JPS10TSC-504	O-Ring	P006	4
5	JPS10TSC-505	Pivot Bracket		1
6	TS-1541011	Nylon Lock Hex Nut	M5	3
7	F001200	Phillips Pan Hd Mach Screw	M5-0.8x6	2
8	JPS10TSC-508	Knob		1
9	JPS10TSC-509	Left Side Guard Seat		2
10	JPS10TSC-510	Right Side Guard Seat		2
11	TS-1532032	Phillips Pan Hd Mach Screw	M4-0.7x10	2
12	JPS10TSC-512	Pin		2
13	JPS10TSC-513	Support Arm		1
	JPS10TSR-AKPA	Anti-Kickback Pawl Assembly (#6, 14 thru 23, 27)		1
14	JPS10TSR-363	Left Side Anti-kickback Pawl		1
15	JPS10TSR-364	Spring		1
16	JPS10TSR-365	Anti-kickback Pawl Bracket		1
17	JPS10TSR-366	Pin		1
18	JPS10TSR-367	Shaft		1
19	JPS10TSR-368	Spring		1
20	JPS10TS-361	E-Retaining Ring	ETW-7	1
21	JPS10TSR-370	Spring		1
22	JPS10TSR-371	Right Side Anti-kickback Pawl		1
23	TS-2285302	Phillips Pan Head Machine Screw	M5-0.8Px30	1
24	JPS10TSC-524	Riving Knife		1
25	LM000315	Warning Label – Blade Guard	1"x5"	1
26	TS-1533042	Phillips Pan Hd Mach Screw	M5-0.8x12	2
27	TS-1550031	Flat Washer	M5	2

14.6.1 Miter Gauge Assembly – Exploded View



14.6.2 Miter Gauge Assembly – Parts List

.....	JPS10TSC-MG	Miter Gauge Assembly (#1 thru 13).....	1
1	JPS10TS-327	Handle	1
2	TS-0680041	Flat Washer	3/8".....
3	JWTS10-329	Miter Gauge Body.....	1
4	TS-2284202	Phillips Pan Head Machine Screw.....	M40.7x20.....
5	TS-1540021	Hex Nut.....	M4.....
6	TS-1533032	Phillips Pan Head Machine Screw.....	M5-0.8x10.....
7	JWTS10-333	Pointer	1
8	JWTS10-334	Bracket.....	1
9	JWTS10-335	Stop Pin	1
10	JWTS10-336	Screw.....	1
11	JPS10TSC-611	Miter Bar	1
12	JPS10TS-340	Scale.....	1
13	F010450	Socket Set Screw	M8-1.25x5.....
					2