

Type: KFH 17-8 RT (60Hz, 120V)
Part no.: 72381709360

Item	Part no.	Designation	Quantity
10	31903225000	Motor housing	1
20	51279004110	Stator 50Hz110V	1
95	30712096010	Brush holder Set 50Hz230V	2
100	30711158000	Carbon brush 220-230V, 50/60Hz	2
110	30764171000	Choke	1
120	30762549990	Speed setting switch 50/60H100-120V	1
130	32427157000	Cover	2
140	43072000000	Screw	2
150	31428179000	Air guide ring	1
400	41705019001	Needle sleeve	1
405	31206169020	Gearbox housing	1
410	30217335005	Bolt	1
420	40612137008	Sealing ring	1
430	30901357005	Spiral spring	1
440	32805200008	Pushbutton	1
505	33809249020	Bevel gear	1
600	31428180000	Air guide ring	1
700	53279001360	Armature 60Hz120V	1
710	41701001260	Grooved ball bearing	1
720	30507236000	Bearing bush	1
730	32172014010	Magnet	1
740	32416117000	Plate	1
750	41701207260	Grooved ball bearing	1
755	32601282000	Disc	1

Type: KFH 17-8 RT (60Hz, 120V)
Part no.: 72381709360

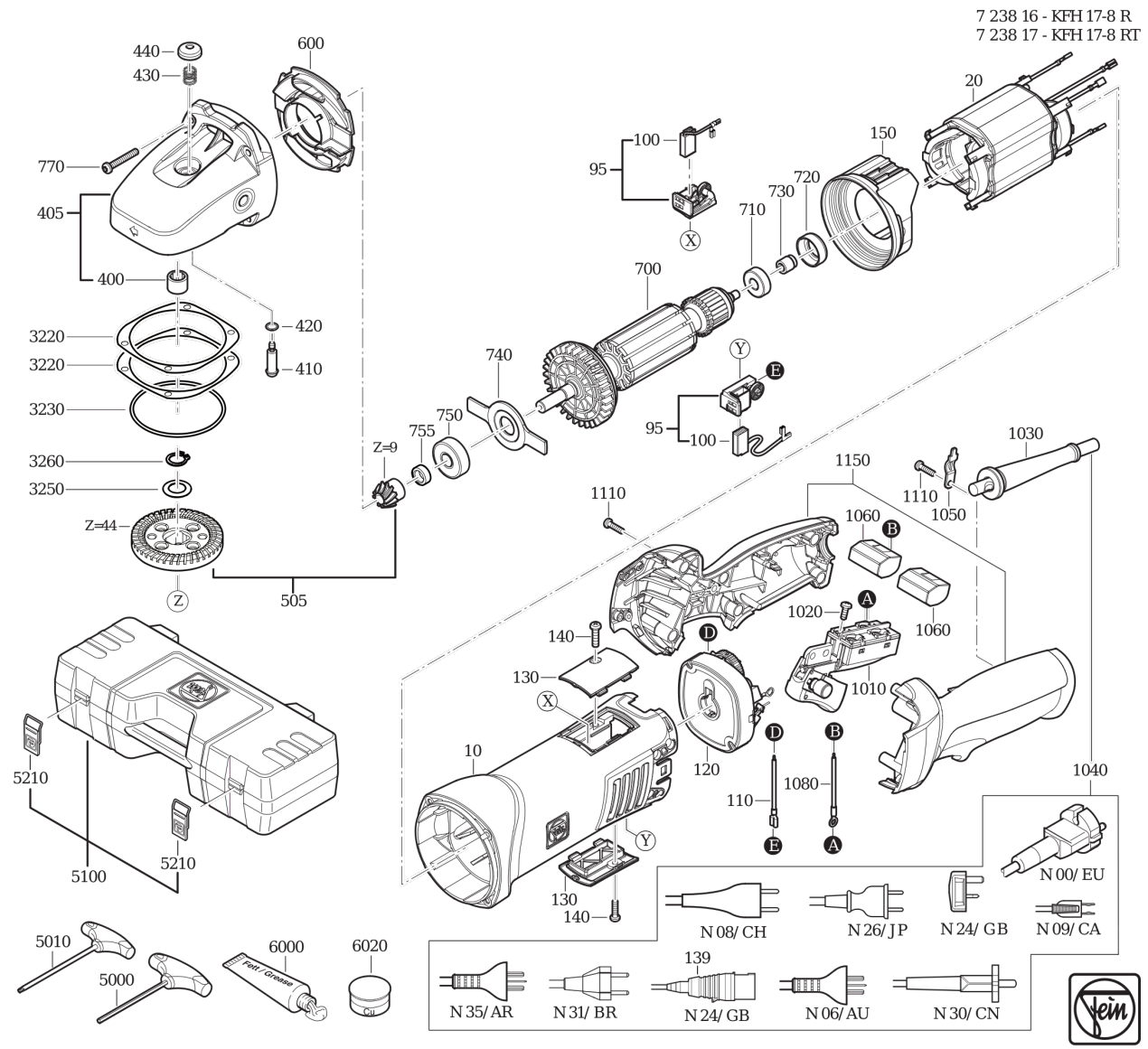
Item	Part no.	Designation	Quantity
770	43074012000	Screw	4
1010	30701305010	Switch	1
1020	43041039999	Fillister head screw	2
1030	31413282000	Cable grommet	1
1040	30707489010	Cable with plug N09 60Hz120V	1
1050	32431043002	Cable clamping piece	1
1060	31412063000	Terminal	2
1080	30719886010	Cable	1
1110	43072000000	Screw	7
1150	31204193010	Handle	1
2500	32217517000	RFID Transponder VE1	1
3010	31350003000	Shaft	1
3020	31350009000	Countersunk screw	8
3030	31350012000	Guide	1
3040	31350042000	Sealing ring	1
3050	31350040000	Adjusting ring	1
3060	31350053000	Stop button	1
3065	31350046000	Spacer sleeve	1
3070	31350044000	Fillister head screw	4
3075	31350075000	KX clamping screw	1
3080	31350038000	Holder	1
3090	31350039000	Handle	1
3100	31350043000	Fillister head screw	2
3110	31350027000	Cover	1

Type: KFH 17-8 RT (60Hz, 120V)
Part no.: 72381709360

Item	Part no.	Designation	Quantity
3120	31350017000	Screw	4
3130	31350025000	Disc	1
3140	31350032000	Sealing ring	1
3160	31350041000	Grooved ball bearing	1
3170	31350026000	Disc	1
3180	31350033000	Grooved ball bearing	1
3190	31350045000	Disc	1
3200	31350030000	Circlip	1
3210	31350028000	Housing	1
3220	32624123020	Washer	1
3220	32624123060	Washer 0,15	1
3230	31350034000	Sealing ring	1
3250	31350029000	Cup spring C22,5	1
3260	31350031000	Circlip	1
5000	62912003010	Socket head wrench, WAF 5	1
5010	62912004010	T15 torx wrench	1
5100	33901189100	Tool case	1
5210	30232050000	Wire clamp	2
6000	32160018000	Lubricant can 0,1 kg	1
6020	32132044010	Lubricant can CU-Paste	1

Type:
Part no.:

KFH 17-8 RT (60Hz, 120V)
72381709360



Type:
Part no.:

KFH 17-8 RT (60Hz, 120V)
72381709360

7 238 16 - KFH 17-8 R
7 238 17 - KFH 17-8 RT

