



Assembly and Parts List

Folding Infeed/Outfeed Tables

for JWDS-2244, JWDS-2244OSC, and JWDS-2550 Drum Sanders



IMPORTANT SAFETY INSTRUCTIONS

- Read and understand entire owner's manual for your Drum Sander before attempting assembly or operation.
- Read and understand the warnings posted on the machine and in the manual. Failure to comply with all of these warnings may cause serious injury.
- Replace warning labels if they become obscured or removed.
- **⚠ WARNING:** This product can expose you to chemicals including lead which is known to the State of California to cause cancer and birth defects or other reproductive harm. For more information go to <http://www.p65warnings.ca.gov>.

Open shipping carton and compare contents with the following parts list to make sure all parts are intact. Report any missing parts to your distributor.

Contents:

- 2 Infeed/Outfeed Tables – **D**
- 1 Rear (short) Fixed Bracket – **E**
- 1 Front (long) Fixed Bracket – **F**
- 2 Left Folding Table Brackets – **G**
- 2 Right Folding Table Brackets – **H**
- 1 Assembly and Parts List
- 1 Hardware Package, includes:
 - 4 Locking handles – **HP1**
 - 4 Disc washers – **HP2**
 - 4 Oilite washers – **HP3**
 - 16 Socket hd cap screws M8x16 – **HP4**
 - 16 Flat washers M8 – **HP5**
 - 4 Socket hd cap screws M6x20 – **HP6**
 - 4 Flat washers M6 – **HP7**
 - 4 Eccentric cams – **HP8**

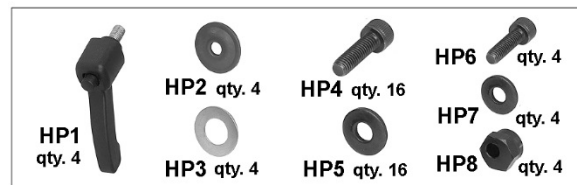
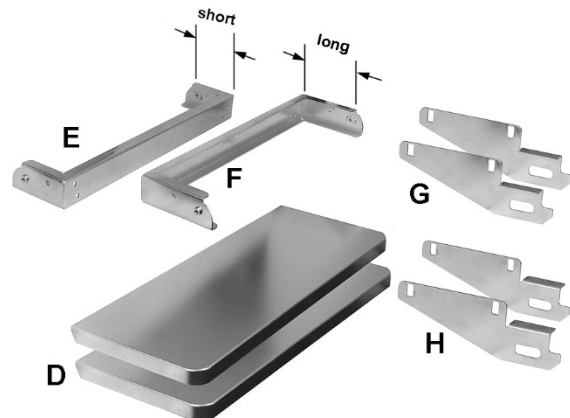


Figure 1: Contents

Tools required for assembly

5mm, 6mm hex (Allen) wrenches
Straight edge (such as straight steel bar or carefully jointed board)

JET

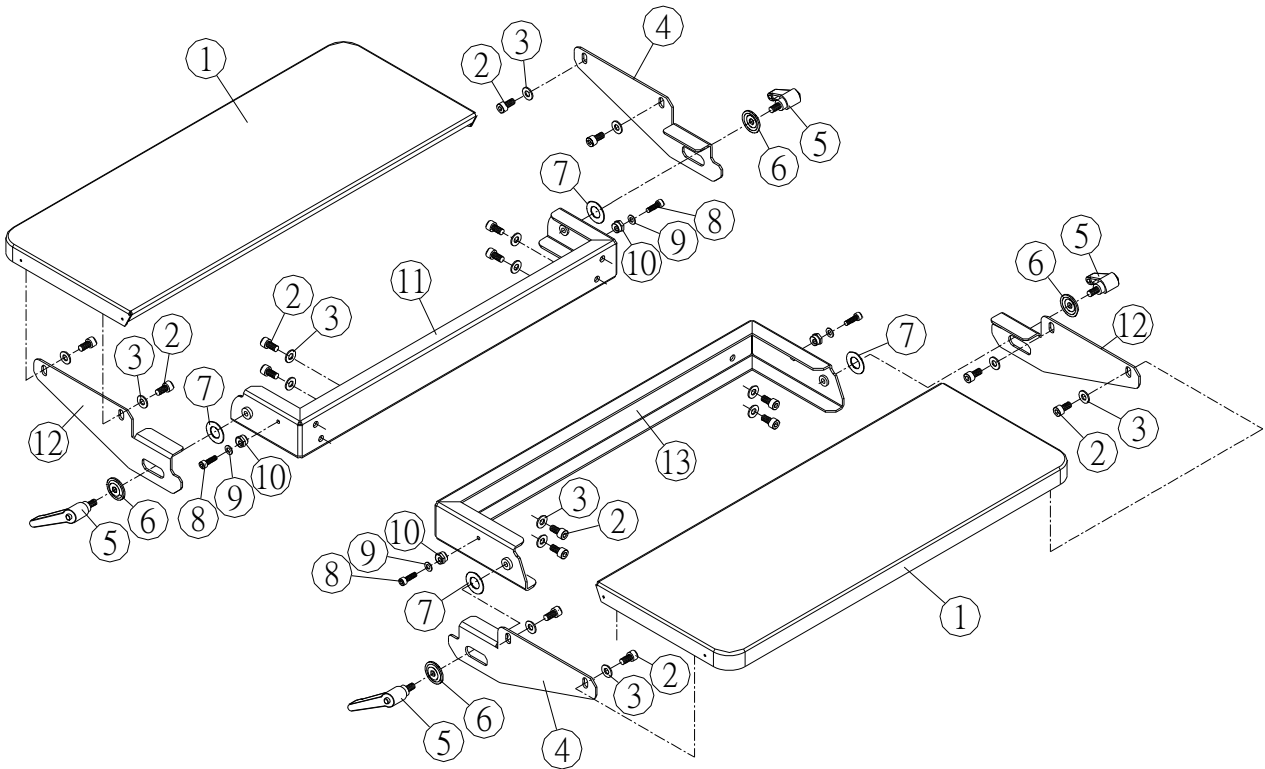
427 New Sanford Road
LaVergne, Tennessee 37086
Ph.: 800-274-6848
www.jettools.com

Part No. M-723541

Edition 2 10/2018

Copyright © 2018 JET, a division of JPW Industries, Inc

Folding Infeed/Outfeed Tables for JWDS-2244/-2244OSC/-2550



Index No.	Description	Qty.	JWDS-2244	JWDS-2550 JWDS-2244OSC
			Part No.	
	Folding Infeed/Outfeed Tables (#1-13)		723541	723551
1	Extension Table	2	JWDS2244-401	JWDS2550-401
2	Socket Head Cap Screw M8-1.25P x 16L	16	TS-1504031	
3	Flat Washer 8.3 x 20 x 1.5T mm	16	TS-1550061	
4	Left Folding Table Bracket	2	JWDS2244-404	
5	Handle	4	JWDS2244-405	
6	Disc Washer	4	JWDS2244-406	
7	Oilite Washer	4	JWDS2244-407	
8	Socket Head Cap Screw M6-1.0P x 20L	4	TS-1503051	
9	Flat Washer 6.3 x 13 x 2T mm	4	TS-1550041	
10	Eccentric Cam	4	JWDS2244-410	
11	Rear Fixed Bracket	1	JWDS2244-411	JWDS2550-411
12	Right Folding Table Bracket	2	JWDS2244-412	
13	Front Fixed Bracket	1	JWDS2244-413	JWDS2550-413
	Hardware Package, Infeed-Outfeed Tables (includes #2,3,5,6,7-10)		JWDS2244-420	