



Assembly and Parts List Open Stand for JWDS-2244/-2550 Drum Sanders



IMPORTANT SAFETY INSTRUCTIONS

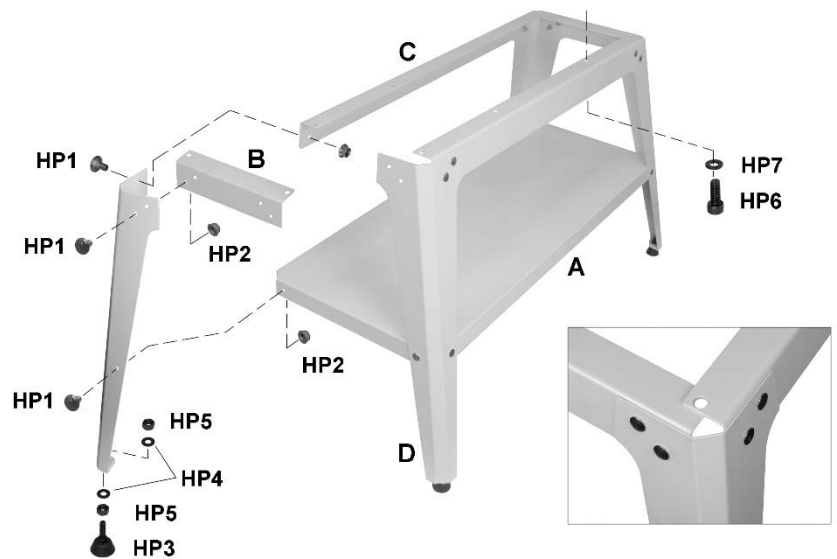
- Read and understand entire owner's manual for your drum sander before attempting assembly or operation.
- Read and understand the warnings posted on the machine and in the manual. Failure to comply with all of these warnings may cause serious injury.
- Replace warning labels if they become obscured or removed.
- Before operating, make sure the drum sander is firmly secured to the stand, and all fasteners in the stand are tightened.
- **⚠ WARNING:** This product can expose you to chemicals including lead which is known to the State of California to cause cancer and birth defects or other reproductive harm. For more information go to <http://www.p65warnings.ca.gov>.

Tools required for assembly:

6mm hex (Allen) wrench
12/14mm wrenches (a ratchet wrench with sockets will speed assembly time).

Contents:

- 1 Shelf – A
- 2 Short rails – B
- 2 Long rails – C
- 4 Legs – D
- 1 Hardware Package, includes:
 - 24 Carriage Bolts, M8x16 – HP1
 - 24 Flanged Lock Nuts, M8 – HP2
 - 4 Leveling feet – HP3
 - 8 Flat washers 10mm – HP4
 - 8 Hex nuts M10 – HP5
 - 6 Soc. hd. cap screws M8x16 – HP6
 - 8 Flat washers 8mm – HP7



Assembling stand

1. Assemble legs (D) to outside of Short Rails (B) with carriage bolts (HP1) and flanged lock nuts (HP2). *Finger tighten only.*
2. Assemble Long Rail (C) on inside of legs and on top of Short Rails (B). *Finger tighten only.* NOTE: Flange of Long Rail overlaps flange of Short Rail. See inset photo.
3. Turn stand upside down. Install shelf (A) into legs using carriage bolts and flanged lock nuts.
4. Insert leveling foot (HP3) into bottom hole of each leg with flat washers and hex nuts.
5. Turn stand right-side up, and push down on it to settle it, then tighten all flanged lock nuts on stand.
6. Level the stand by turning the leveling feet (HP3) in or out. When level, tighten hex nut (HP5) against leg flange.

Mounting sander to stand

CAUTION: Use an assistant to help lift and position the drum sander.

1. Position sander atop stand so that threaded holes of sander base align with holes in stand rails.
2. Fasten sander base to stand (from beneath) with the six (6) additional screws and washers provided with the stand.
3. Tighten screws securely.

JET

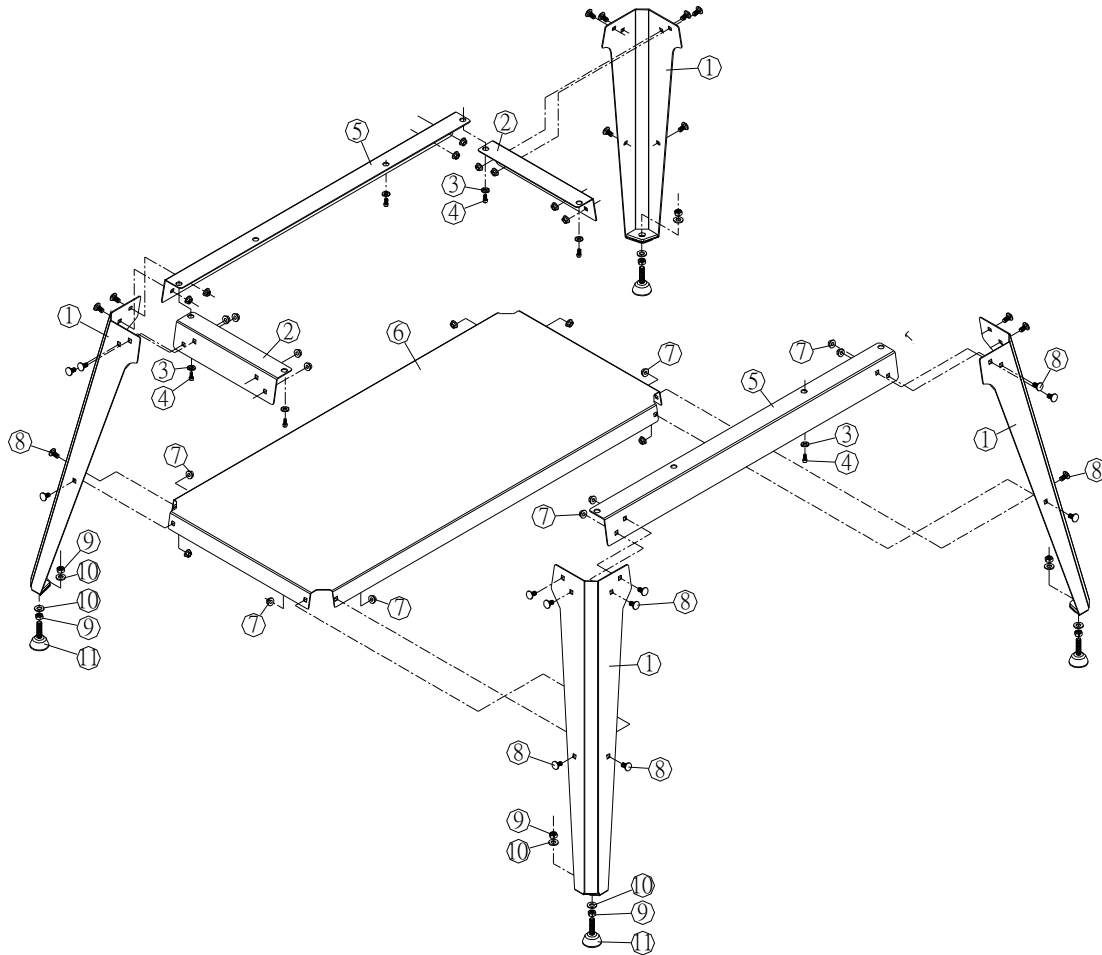
427 New Sanford Road
LaVergne, Tennessee 37086
Ph.: 800-274-6848
www.jettools.com

Part No. M-723540OS

Edition 2 10/2018

Copyright © 2018 JET, a division of JPW Industries, Inc.

Open Stand Assembly for JWDS-2244/-2550 – Exploded View and Parts List



Index No.	Description	Qty.	JWDS-2244	JWDS-2550
			Part No.	
	Open Stand Assembly	1	723540OS	723550OS
1	Leg	4	JWDS1632-301	
2	Short Rail, 11-3/4"L	2	JWDS2244-302	
3	Flat Washer 8.3 x 18 x 1.5T mm	6	TS-1550061	
4	Socket Head Cap Screw M8-1.25P x 16L	6	TS-1504031	
5	Long Rail	2	JWDS2244-305	JWDS2550-305
6	Shelf	1	JWDS2244-306	JWDS2550-306
7	Flanged Lock Nut M8-1.25P	24	JWDS1632-307	
8	Carriage Bolt M8-1.25P x 16L	24	JWDS1632-308	
9	Hex Nut M10-1.5P	8	TS-1540071	
10	Flat Washer 10x20x2.0T mm	8	TS-1550071	
11	Leveling Foot	4	JWDS1632-311	
	Hardware Package (includes #7-11)		JWDS2244-HP	

Replacement Parts

To order parts or reach our service department, call 1-800-274-6848 Monday through Friday, 8:00 a.m. to 5:00 p.m. CST. Having the Model Number and Serial Number of your machine available when you call will allow us to serve you quickly and accurately. Non-proprietary parts, such as fasteners, can be found at local hardware stores, or may be ordered from JET. Some parts are shown for reference only, and may not be available individually.