

**Type:** ASstx 649-1 (60Hz, 120V)  
**Part no.:** 72342209360

<b>Item</b>	<b>Part no.</b>	<b>Designation</b>	<b>Quantity</b>
10	31903099006	Motor housing	1
20	30712067017	Brush holder	2
40	43041001994	Fillister head screw M3,5X10	4
50	30711067004	Carbon brush	2
60	43041016042	Fillister head screw	2
70	51215022110	Stator	1
90	43001004042	Hexagon socket screw	2
100	31428010005	Air guide ring	1
110	32427040001	Cover	2
120	43046001002	Sheet metal screw	4
250	53215007115	Armature 50Hz110V	1
300	31209013002	Gearbox housing	1
340	41701607012	Grooved ball bearing	1
350	30110022002	Drive block	1
360	30216098002	Bolt	2
370	33811030002	Gear-wheel	2
390	41715017008	Needle cage	2
400	41715013009	Needle cage	2
410	33804015005	Gear-wheel	1
420	43002108997	Cylinder head screw	2
430	41701010032	Grooved ball bearing	1
440	40221008003	Feather key	1
450	42641001002	Circlip	1
465	33809142019	Bevel gear Z=11/39	1

**Type:** ASStx 649-1 (60Hz, 120V)  
**Part no.:** 72342209360

<b>Item</b>	<b>Part no.</b>	<b>Designation</b>	<b>Quantity</b>
470	32624087034	Disc	1
470	32624087028	Disc	1
490	32624086024	Disc	1
490	32624086030	Disc	1
500	40221017004	Feather key	1
510	33405022003	Eccentric shaft	1
515	33405022028	Eccentric shaft	1
520	30217200004	Bolt	1
530	41724001005	Roller	1
550	32408212006	Shim	1
560	42616006007	Circlip	1
580	41701222038	Grooved ball bearing	1
590	42019006080	Nut	1
620	32419063000	Bearing plate	1
630	42616003002	Circlip	1
640	40247006002	Pin	2
650	43035073052	Cylinder head screw	4
660	42443004057	Circlip M5	13
680	32408232004	Disc	1
690	40247007006	Pin	2
700	32429068000	Cover	1
705	32429068019	Cover	1
770	32714057002	Rod	1
775	32714057011	Rod	1

**Type:** AStx 649-1 (60Hz, 120V)  
**Part no.:** 72342209360

<b>Item</b>	<b>Part no.</b>	<b>Designation</b>	<b>Quantity</b>
780	32714059004	Link	1
790	43035080068	Cylinder head screw	2
800	40201036006	Straight pin	1
810	43007038088	Stud bolt	2
820	32714011000	Plate	1
830	42001009080	Hex nut	2
835	42401019085	Disc	2
840	42401018069	Disc	4
850	40238041005	Clamping sleeve	2
860	42445003060	Spring washer	2
870	42001029066	Hex nut	2
880	43033015052	Cylinder head screw	1
890	43035073052	Cylinder head screw	8
900	31604008001	Bearing	4
910	32714058000	Wiper	2
920	31204179000	Handle half shell	1
925	30604042007	Felt ring	1
930	30701274010	Switch	1
935	31506209007	Intermediate gear box	1
940	43041035047	Fillister head screw	2
950	31324121000	Seal	1
960	32431042008	Cable clamping piece	1
970	43070035002	Screw	1
980	31324123000	Housing	1

**Type:** ASTx 649-1 (60Hz, 120V)  
**Part no.:** 72342209360

Item	Part no.	Designation	Quantity	
990	31412063000	Terminal	2	9
1010	30605041005	Plate	1	9
1030	31413094007	Cable grommet	1	9
1040	31204180000	Handle half shell	1	9
1050	43070031003	Screw	3	9
1055	43070038007	Screw	1	9
1070	30719655010	Connecting cable	2	9
1113	30707345019	Cable with plug	1	9
1200	41701204131	Grooved ball bearing	1	9
1210	43035019059	Cylinder head screw	4	9
1220	42443004057	Circlip M5	4	9
1230	41701207033	Grooved ball bearing	1	9
1250	33023059003	Bolt	2	9
1260	42019005052	Nut	2	9
1270	43035025059	Cylinder head screw	2	9
1280	42443004057	Circlip M5	4	9
1290	32411069004	Disc	1	9
1300	30601082001	Felt ring	1	9
1310	32612077003	Sealing ring	1	9
1735	33412015019	Bolt	1	9
1760	32601193008	Ring	1	9
5000	32119044012	Handle	1	9
5010	32119044003	Handle	1	9
5020	33211022001	Clamp	1	9

**Type:** AStx 649-1 (60Hz, 120V)  
**Part no.:** 72342209360

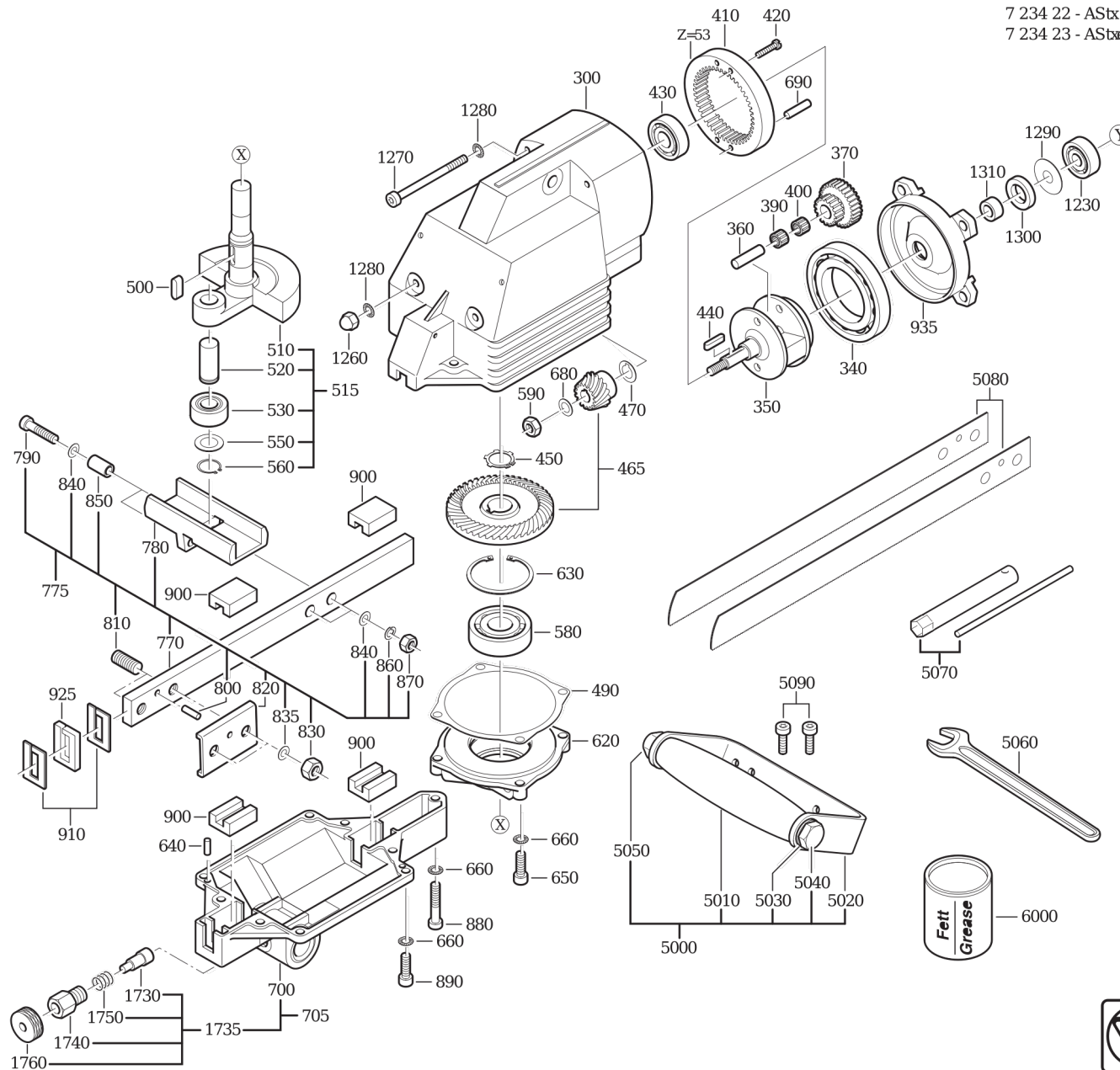
---

<b>Item</b>	<b>Part no.</b>	<b>Designation</b>	<b>Quantity</b>
5030	42401017104	Disc	1
5040	43001059102	Hexagon socket screw	1
5050	42019007105	Nut	1
5060	62901007007	Jaw spanner SW13	1
5070	62906009007	Socket spanner SW 8	1
5080	63503063007	Saw blade	2
5090	43035014056	Cylinder head screw	2
6000	32132007011	Lubricant can 0,850 kg	1
9020	34130054061	Safety instruction	1

Type:  
Part no.:

AStx 649-1 (60Hz, 120V)  
72342209360

7 234 22 - AStx 649-1  
7 234 23 - AStx 649-1



**Type:**  
**Part no.:**

AStx 649-1 (60Hz, 120V)  
72342209360

7 234 22 - AStx 649-1  
7 234 23 - AStx 649-1

