

Type: MM 300 (60Hz, 120V)
Part no.: 72297209360

Item	Part no.	Designation	Quantity
10	31901238000	Motor housing	1
20	32816066000	Control rod	1
30	32805226000	Slide switch	1
40	51278002110	Stator	1
50	43074005000	Screw	2
60	31428161000	Air guide ring	1
70	30712087015	Brush holder	2
75	30717193000	Connector	2
80	30711129009	Carbon brush	2
90	32803019010	Contact spring	1
110	30762412990	Electronics 100-230V,50/60Hz	1
120	30719642010	Connecting cable	1
130	32431045000	Cable clamping piece	1
140	30719641010	Connecting cable	1
150	32427127000	Cover	1
155	31415099000	Pressure piece	1
160	43074003000	Screw	1
170	43074002000	Screw 35X20	5
180	30707345019	Cable with plug	1
190	31413229000	Cable grommet	1
210	30719644010	Connecting cable	1
220	30719643010	Connecting cable	1
250	53278001110	Armature	1
260	41701001032	Grooved ball bearing	1

Type: MM 300 (60Hz, 120V)
Part no.: 72297209360

Item	Part no.	Designation	Quantity
270	41701007038	Grooved ball bearing	1
280	30508043010	Bush Set	1
290	40612167000	Sealing ring	1
300	41701000020	Grooved ball bearing	1
310	42616046003	Circlip	1
405	31508294040	Tool head	1
430	34300000011	Lever	1
480	33218150000	Eccentric ring	1
490	40242064000	Straight pin	1
495	30507220000	Bush	2
510	30907067000	Locking spring	1
520	43064023045	Fillister head screw	1
530	43074004000	Screw	4
2500	32217517000	RFID Transponder VE1	1
5000	33901144010	Carrying case unfilled	1
5010	33218151000	Extractor hood	1
5020	30601106007	Felt ring	2
5030	30605112000	Adapter	1
5040	33218123000	Pipe	1
5050	30232049000	Holder	1
5400	30605110008	Adapter hose	1
5410	30605109006	Adapter hose	1
5420	30517029001	Hose sleeve	1
5430	30517028007	Hose sleeve	1

Type: MM 300 (60Hz, 120V)

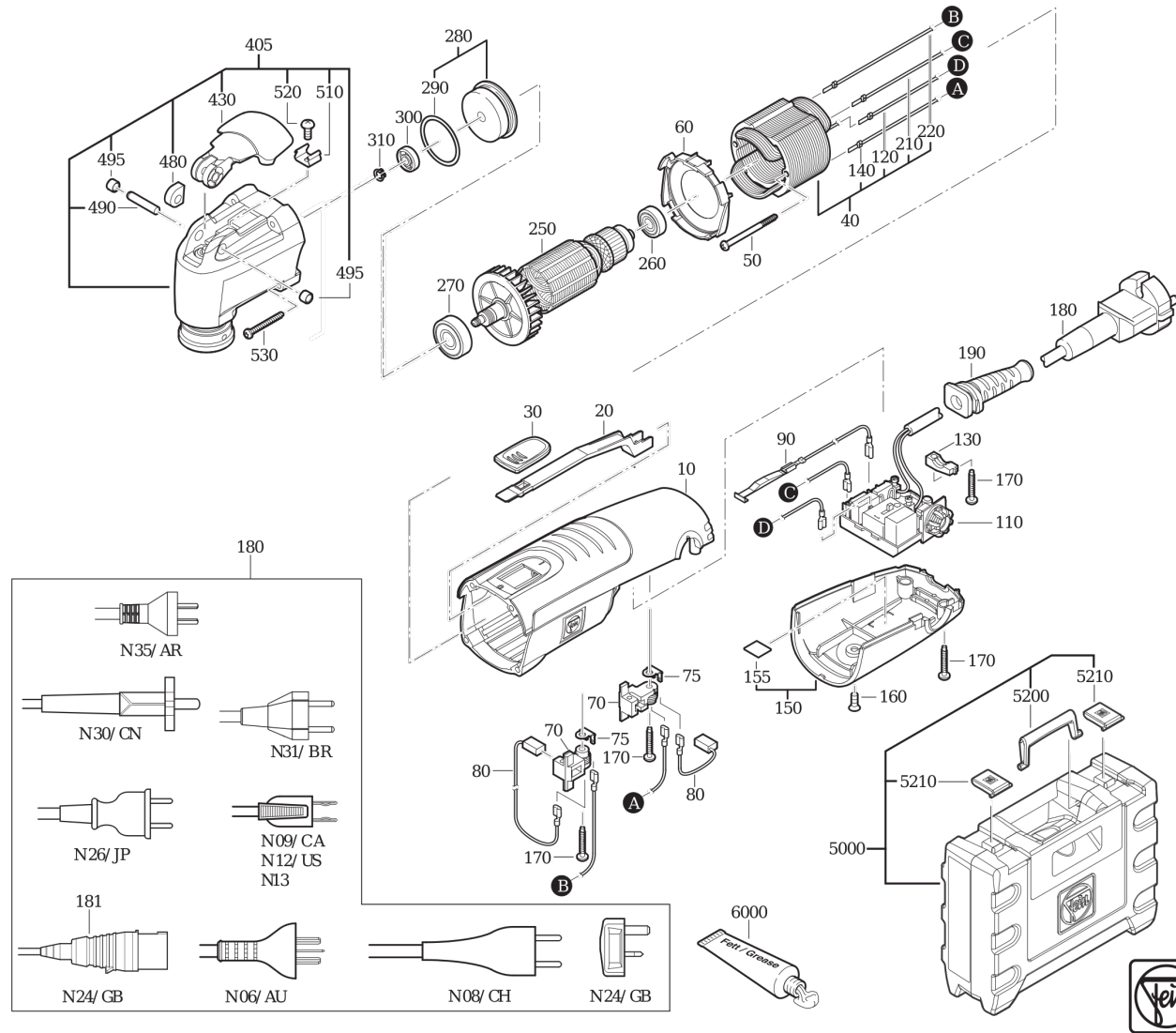
Part no.: 72297209360

Item	Part no.	Designation	Quantity
5450	63806136220	Sanding pad set, perforated	1
5500	92602092000	Dust extraction set	1
6000	32160003014	Lubricant tube 0,085 kg	1

Type:
Part no.:

MM 300 (60Hz, 120V)
72297209360

7 229 72 - MM300 PLUS



Type:
Part no.:

MM 300 (60Hz, 120V)
72297209360

7 229 72 - MM300 PLUS

