

Type: FSC 500 QSL (60Hz, 120V)
Part no.: 72294609360

Item	Part no.	Designation	Quantity
10	31901180010	Motor housing	1
30	32805315000	Slide switch	1
70	30712087015	Brush holder	2
80	30711157000	Carbon brush	2
110	30762535990	Speed setting switch 100-230V 50/60Hz	1
130	32431045000	Cable clamping piece	1
155	31415110000	Pressure piece	4
160	43074010000	Screw	9
170	43074002000	Screw 35X20	2
180	30707345019	Cable with plug	1
190	31413233000	Cable grommet	1
255	53278011110	Armature 60H110V	1
260	41701001260	Grooved ball bearing	1
285	32172014020	Magnet	1
290	40612000004	Sealing ring	2
300	41706000001	Needle bearing	1
350	52278051110	Stator 60Hz110V	1
405	31508299030	Tool head	1
430	34300000013	Lever	1
465	42615110009	Circlip	1
480	33218150000	Eccentric ring	1
490	40242043008	Pin	1
495	30507220000	Bush	2
510	30907069000	Locking spring	1

Type: FSC 500 QSL (60Hz, 120V)

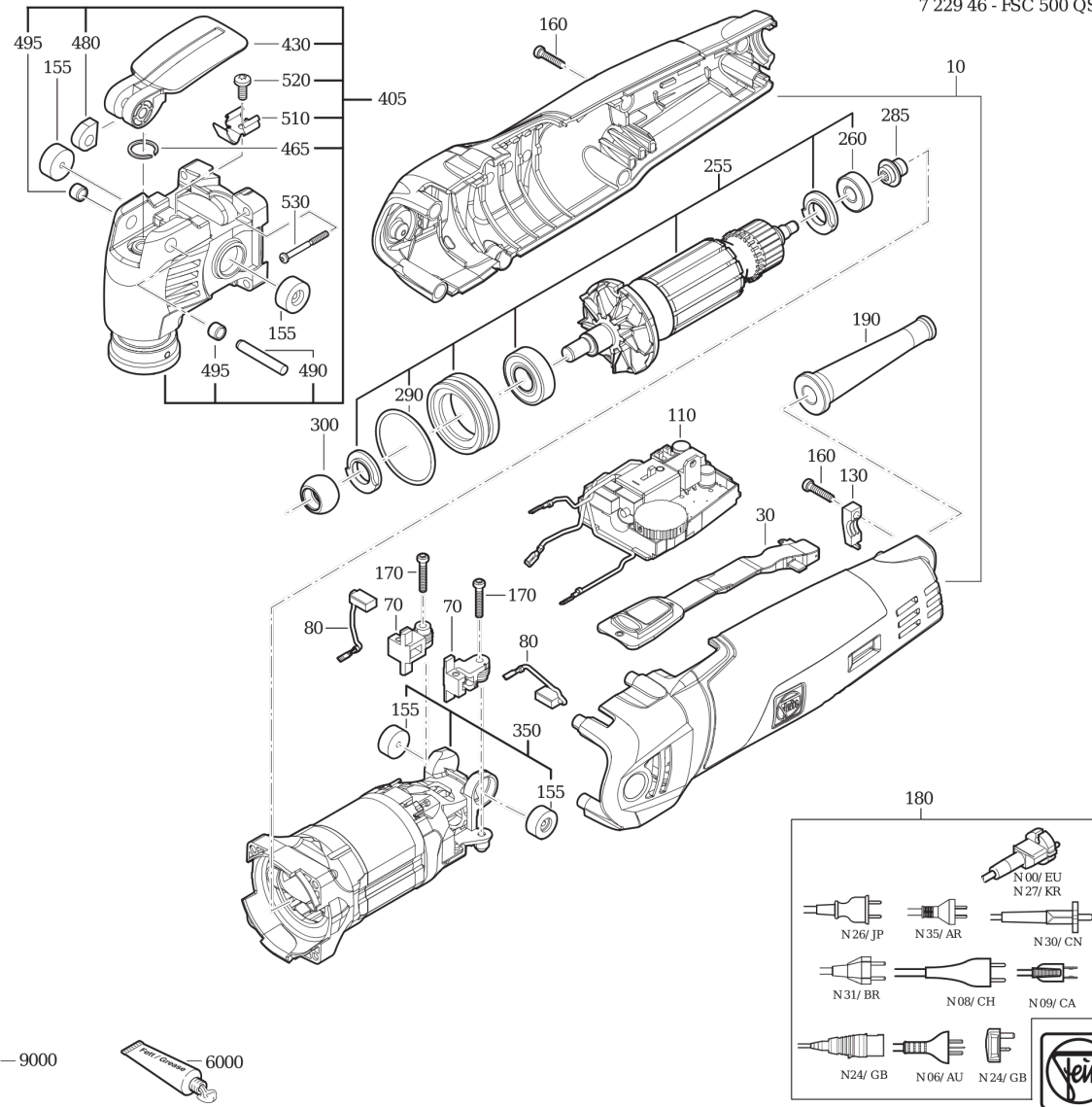
Part no.: 72294609360

Item	Part no.	Designation	Quantity
520	43064023045	Fillister head screw	1
530	43082000000	Screw	4
2500	32217517000	RFID Transponder VE1	1
5000	33901154030	Plastic tool cases	1
5010	33218145000	Extractor hood	1
5020	30601106007	Felt ring	1
5040	33218137010	Suction unit	1
5200	32119122000	Handle	1
5210	30232050000	Wire clamp	2
5300	33904547000	Insert	1
5450	63806136220	Sanding pad set, perforated	1
5500	92602095000	Dust extraction set	1
6000	32160005000	Lubricant tube 0,080kg	1
6010	SM0001	Gadus S2 V100Q2 (Shell Deutschland Oil GmbH)	1g

Type:
Part no.:

FSC 500 QSL (60Hz, 120V)
72294609360

7 229 46 - FSC 500 QSL



Type:
Part no.:

FSC 500 QSL (60Hz, 120V)
72294609360

7 229 46 - FSC 500 QSL

