

**Type:** KS 10-38 E (60Hz, 120V)  
**Part no.:** 72216700360

<b>Item</b>	<b>Part no.</b>	<b>Designation</b>	<b>Quantity</b>
15	52277030110	Stator unit 110-120V,50/60Hz	1
60	30762393990	Speed setting switch 110V-120V 50/60Hz	1
65	31413232000	Insulating hose	1
70	30701285000	Switch	1
80	43041039999	Fillister head screw	2
90	32427139000	Housing insert	1
100	32816072000	Control rod	1
110	32805223000	Slide switch	1
120	32805224000	Cover	1
140	32431026009	Cable clamping piece	1
150	43070006008	Screw	2
194	307111168000	Carbon brush 100-120V,50/60Hz	2
195	30712093080	Brush holder Set 100-120V,50/60Hz	1
230	31420124000	Cover	1
250	31413282000	Cable grommet	1
262	30707489010	Cable with plug N09 60Hz120V	1
275	31912097010	Motor housing	1
290	43074008000	Screw	5
305	33809229012	Bevel gear Z=9/44	1
405	31206142020	Gearbox housing	1
410	41705019001	Needle sleeve	1
430	30217335005	Bolt	1
440	40612137008	Sealing ring	1
450	30901365007	Spiral spring	1

**Type:** KS 10-38 E (60Hz, 120V)

**Part no.:** 72216700360

<b>Item</b>	<b>Part no.</b>	<b>Designation</b>	<b>Quantity</b>
460	32805200008	Pushbutton	1
470	32419116009	Bearing plate	1
480	41701010054	Grooved ball bearing	1
490	32416101009	Plate	1
500	33713065003	Shaft, toothed	1
520	32624117009	Disc	1
600	33804029000	Shaft, toothed M14	1
610	41701110228	Grooved ball bearing	1
620	41701109051	Grooved ball bearing	1
630	31508275000	Gearbox housing	1
640	42443003043	Circlip M4	4
650	43064025040	Fillister head screw	4
740	30507236000	Bearing bush	1
750	53277003360	Armature	1
760	42615081002	Circlip	1
762	32408434000	Disc	1
764	42632003000	Circlip	1
770	41701001260	Grooved ball bearing	1
780	32172011004	Ring magnet	1
790	32416108003	Plate	1
800	41701007266	Grooved ball bearing	1
810	43074007000	Screw	2
820	43074009000	Screw	2
830	32119107016	Handle	1

**Type:** KS 10-38 E (60Hz, 120V)  
**Part no.:** 72216700360

<b>Item</b>	<b>Part no.</b>	<b>Designation</b>	<b>Quantity</b>
840	32101099000	Drive wheel	1
850	32104030000	V-belt	1
860	32435051000	Cover	1
870	32429137000	Cover	1
880	30501362000	Sleeve	1
890	32170023000	Lever	1
900	63801179000	Grinding disc flange I	1
910	63802190000	Grinding disc flange A	1
920	42443003043	Circlip M4	8
930	43035006048	Cylinder head screw	8
940	31207281000	Housing OT	1
950	31207282000	Housing	1
955	30502066010	Clamping sleeve	1
980	43035129060	Cylinder head screw	1
990	33406310000	Shaft	1
1000	41701006034	Grooved ball bearing	2
1010	42616079000	Circlip J24x1,2	1
1040	32408440000	Disc	1
1050	32414124000	Disc	2
1080	31207280000	Housing	1
1090	32805303010	Pushbutton	1
1100	30901386000	Spiral spring	1
1110	31810285000	Hood	1
2500	32217517000	RFID Transponder VE1	1

**Type:** KS 10-38 E (60Hz, 120V)  
**Part no.:** 72216700360

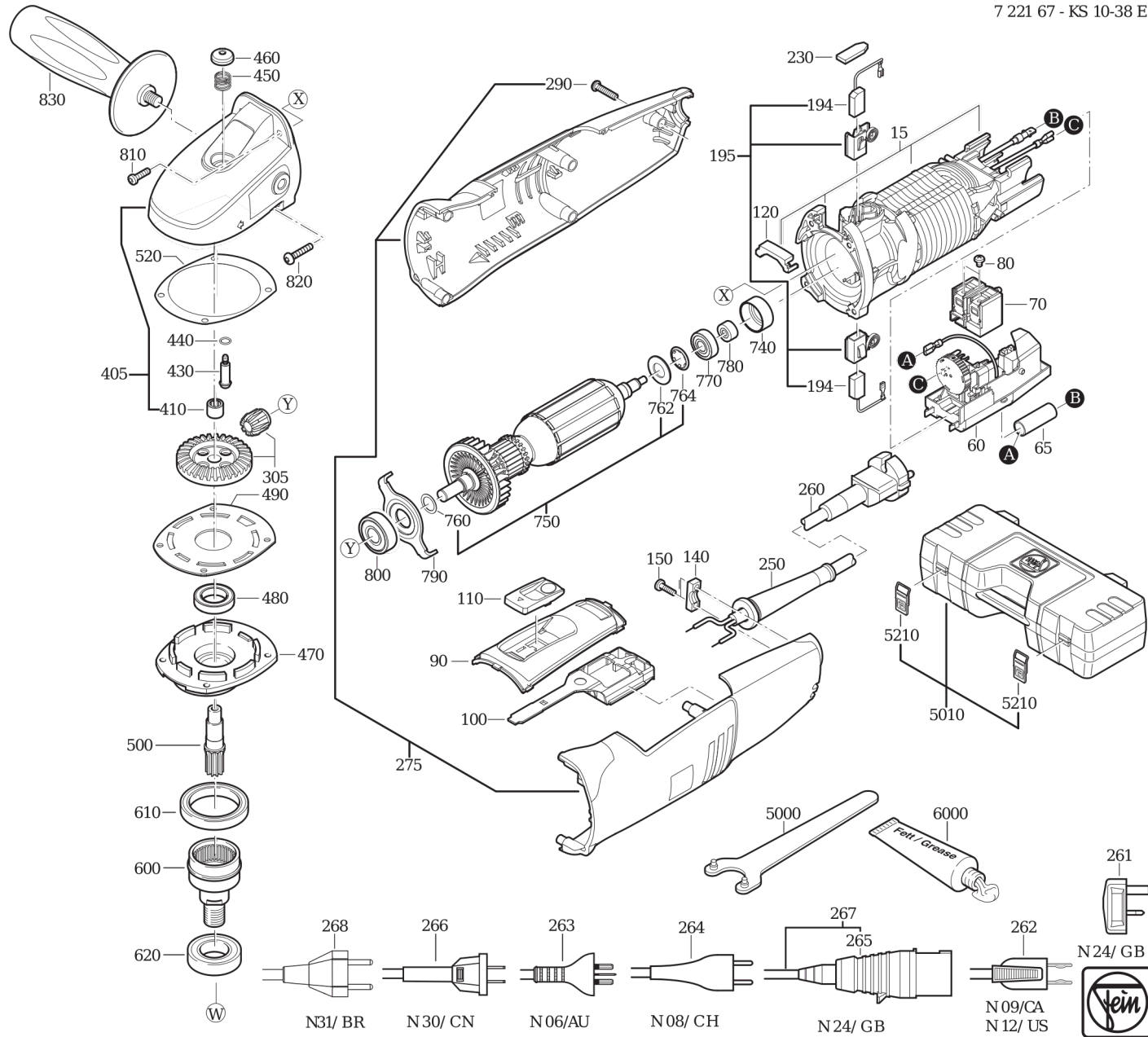
---

<b>Item</b>	<b>Part no.</b>	<b>Designation</b>	<b>Quantity</b>
5000	62910022002	Bidirectional nut spanner	1
5010	33901130050	Tool case	1
5210	30232050000	Wire clamp	2
6000	32160003014	Lubricant tube 0,085 kg	1
9020	34130054061	Safety instruction	1

Type:  
Part no.:

KS 10-38 E (60Hz, 120V)  
72216700360

7 221 67 - KS 10-38 E



**Type:**  
**Part no.:**

KS 10-38 E (60Hz, 120V)  
72216700360

7 221 67 - KS 10-38 E

