



# SERVICE PARTS LIST

**BULLETIN NO.**  
54-43-0015

SPECIFY CATALOG NO. AND SERIAL NO. WHEN ORDERING PARTS		REVISED BULLETIN	DATE
<b>ROUND HEAD FRAMING NAILER</b>			Oct. 2015
CATALOG NO. 7200-20	STARTING SERIAL NUMBER	<b>G98A</b>	
		WIRING INSTRUCTION	

**EXAMPLE:**  
Component Parts (Small #) Are Included  
When Ordering The Assembly (Large #).

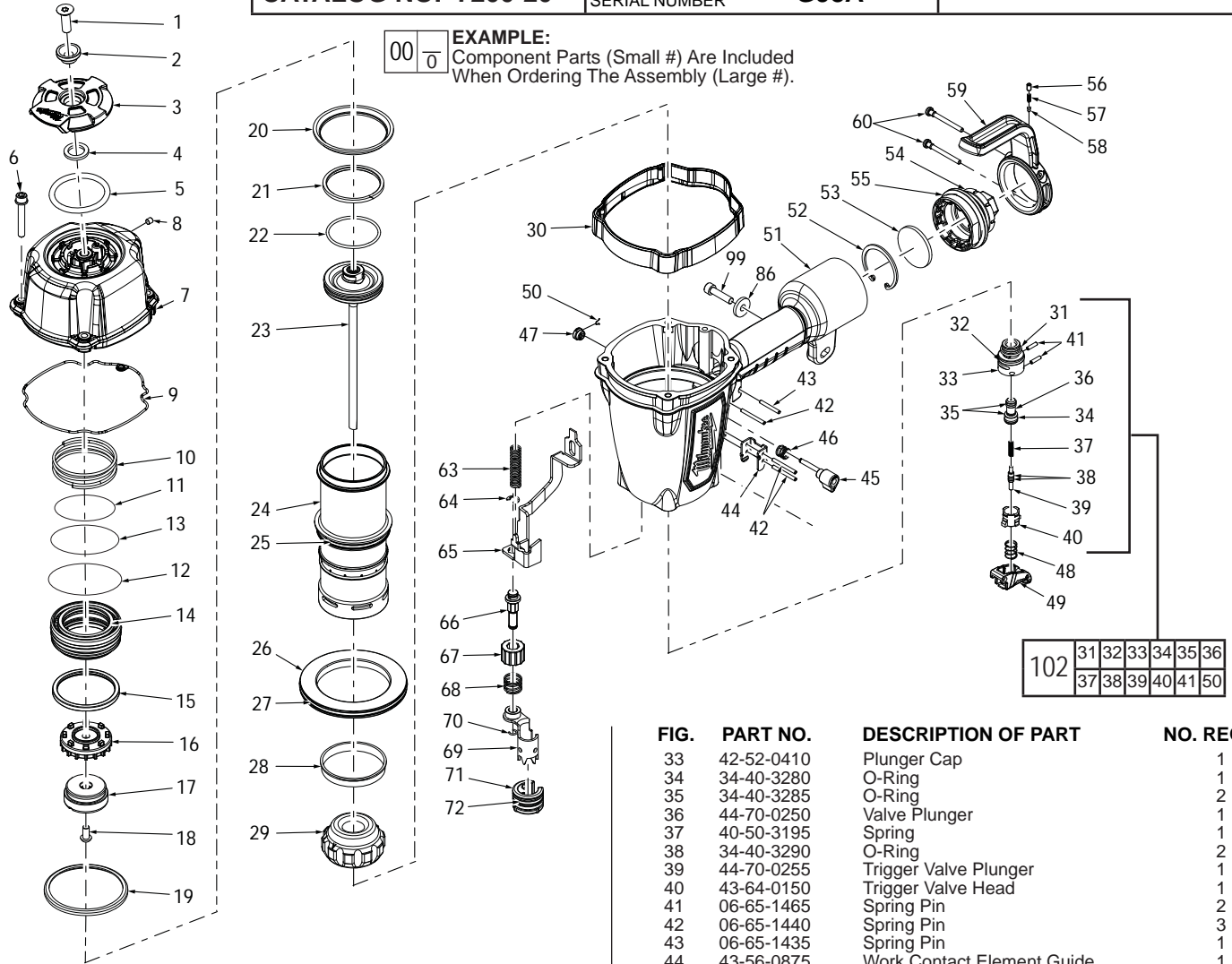


FIG.	PART NO.	DESCRIPTION OF PART	NO. REQ.
1	05-84-0945	Deflector Bolt	1
2	45-88-1725	Deflector Screw Pad	1
3	31-05-0410	Deflector	1
4	45-88-1715	Deflector Pad	1
5	43-31-0350	Muffler Assembly	1
6	05-84-0865	Bolt Assembly w/Washer	4
7	42-92-1430	Top Cap	1
8	05-84-0955	Set Screw, M5 x 0.8-5	1
9	45-06-0900	Top Cap Seal	1
10	40-50-3115	Upper Valve Spring	1
11	34-40-3255	O-Ring, 43.5 mm x 2.62 mm	1
12	34-40-3230	O-Ring, 60.2 mm x 3.1 mm	1
13	34-40-3260	O-Ring, 47.8 mm x 2.62 mm	1
14	44-62-0255	Head Valve Piston	1
15	42-76-0805	Valve Collar	1
16	31-94-0100	Valve	1
17	45-06-0930	Seal	1
18	05-83-0520	Hex Bolt, M6 x 1.0-12	1
19	44-90-0745	Steel Press Ring	1
20	44-90-0735	Press Ring	1
21	44-90-0810	Piston Ring	1
22	34-40-3135	O-Ring	1
23	43-12-0260	Driver Assembly	1
24	42-98-0360	Cylinder	1
25	34-40-3140	O-Ring	1
26	44-90-0795	Cylinder Spacer	1
27	34-40-3150	O-Ring	1
28	44-90-0720	Cylinder Ring	1
29	42-38-0310	Bumper	1
30	42-38-0375	Bumper Band	1
31	34-40-3295	O-Ring	1
32	34-40-3300	O-Ring	1

FIG.	PART NO.	DESCRIPTION OF PART	NO. REQ.
33	42-52-0410	Plunger Cap	1
34	34-40-3280	O-Ring	1
35	34-40-3285	O-Ring	2
36	44-70-0250	Valve Plunger	1
37	40-50-3195	Spring	1
38	34-40-3290	O-Ring	2
39	44-70-0255	Trigger Valve Plunger	1
40	43-64-0150	Trigger Valve Head	1
41	06-65-1465	Spring Pin	2
42	06-65-1440	Spring Pin	3
43	06-65-1435	Spring Pin	1
44	43-56-0875	Work Contact Element Guide	1
45	44-10-0655	Selector	1
46	40-50-3095	Selector Spring	1
47	44-86-0710	Retainer	1
48	40-50-3160	Trigger Spring	1
49	31-92-0200	Trigger Assembly	1
50	44-90-0825	Ring	1
51	28-50-0810	Tool Body	1
52	44-90-0755	Retaining Ring	1
53	43-31-0375	Filter	1
54	42-92-1360	End Cap	1
55	34-40-3225	O-Ring	1
56	05-84-0950	Socket Hex Head Screw	1
57	40-50-3180	Spring	1
58	45-08-0460	Positioning Shaft	1
59	42-70-0405	Spring Retainer (Rafter Hook)	1
60	05-83-0535	Round Head Phillips Bolt	2
63	40-50-3070	Work Contact Spring	1
64	44-90-0775	E-Ring	1
65	42-36-2010	Work Contact Bracket B	1
66	44-94-0550	Adjustment Rod Assembly	1
67	43-98-0750	Adjustment Knob	1
68	40-50-3175	Adjustment Spring	1
69	42-36-2000	Work Contact Bracket A	1
70	44-90-0705	Ring	1
71	42-38-0330	No-Mar Pad	1
72	44-90-0715	Fixed Ring	1
86	45-88-1765	Flat Washer	1
99	05-84-0935	Socket Hex Head Screw	1
102	31-94-0110	Trigger Valve Assembly	1

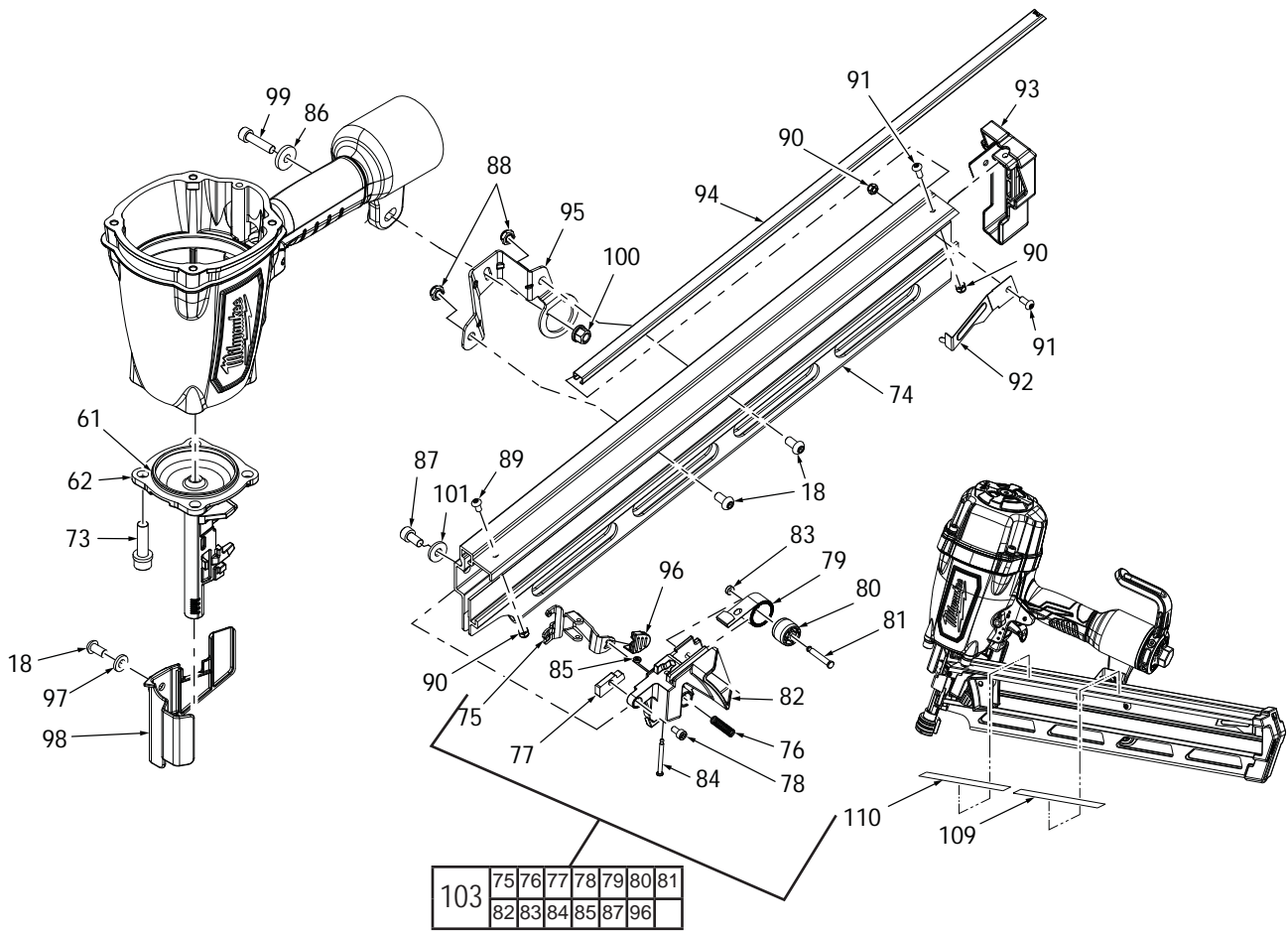


FIG.	PART NO.	DESCRIPTION OF PART	NO. REQ.
18	05-83-0520	Hex Bolt, M6 x 1.0-12	3
61	34-40-3145	O-Ring	1
62	30-61-0205	Nose Piece	1
73	05-84-0870	Bolt Assembly	4
74	43-40-0470	Magazine A	1
75	43-72-0355	Pusher	1
76	40-50-3135	Pusher Button Spring	1
77	42-28-0355	Square Stop Bracket	1
78	05-84-0885	Socket Hex Head Screw	1
79	40-50-3145	Spring	1
80	44-96-0200	Spring Roller	1
81	06-65-1400	Pin	1
82	42-92-1485	Protecting Hood Cover	1
83	44-86-0705	Retainer Ring	1
84	44-60-1850	Trigger Pivot Pin	1
85	44-86-0700	Urethane Retainer	1
86	45-88-1765	Flat Washer	1
87	05-84-0930	Socket Hex Head Screw	1

FIG.	PART NO.	DESCRIPTION OF PART	NO. REQ.
88	05-59-2030	Lock Nut	2
89	05-83-0500	Half Round Hex Bolt	1
90	05-59-2020	Lock Nut	3
91	05-83-0510	Half Round Hex Bolt M4 x 0.7-10	2
92	44-66-1310	Nail Stop Plate	1
93	42-92-1450	Magazine End Cover	1
94	44-81-0055	Magazine Channel	1
95	42-36-2035	Magazine Bracket	1
96	42-92-1515	Lever Cover	1
97	45-88-1750	Flat Washer	1
98	42-92-1505	Work Contact Element Cover	1
99	05-84-0935	Socket Hex Head Screw	1
100	05-59-2035	Nut	1
101	45-88-1785	Flat Washer	1
103	45-24-0010	Magazine Pusher Assembly	1
109	12-98-0300	Service Nameplate	1
110	10-20-3315	Warning Label	1
	14-70-0135	Overhaul Kit (Not Shown)	1
	14-70-0150	Driver Maintenance Kit (Not Shown)	1