



Operating Instructions and Parts Manual

18" x 40" Woodturning Lathe

Models JWL-1840EVS, JWL-1840DVR

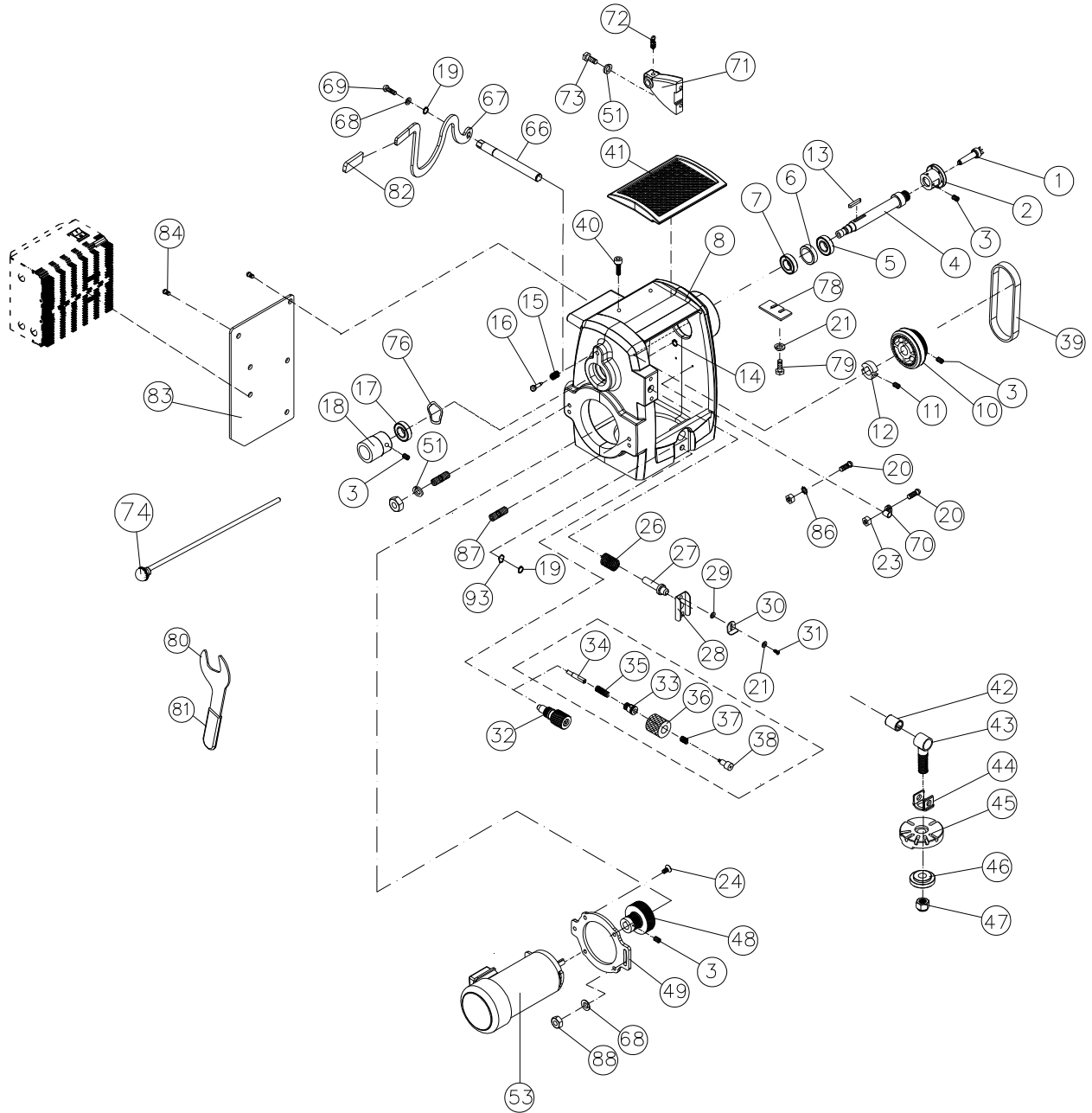


JWL-1840EVS shown

JET
427 New Sanford Road
LaVergne, Tennessee 37086
Ph.: 800-274-6848
www.jettools.com

Part No. M-719600
Edition 3 01/2017
Copyright © 2017 JET

14.2.1 JWL-1840DVR Headstock Assembly – Exploded View

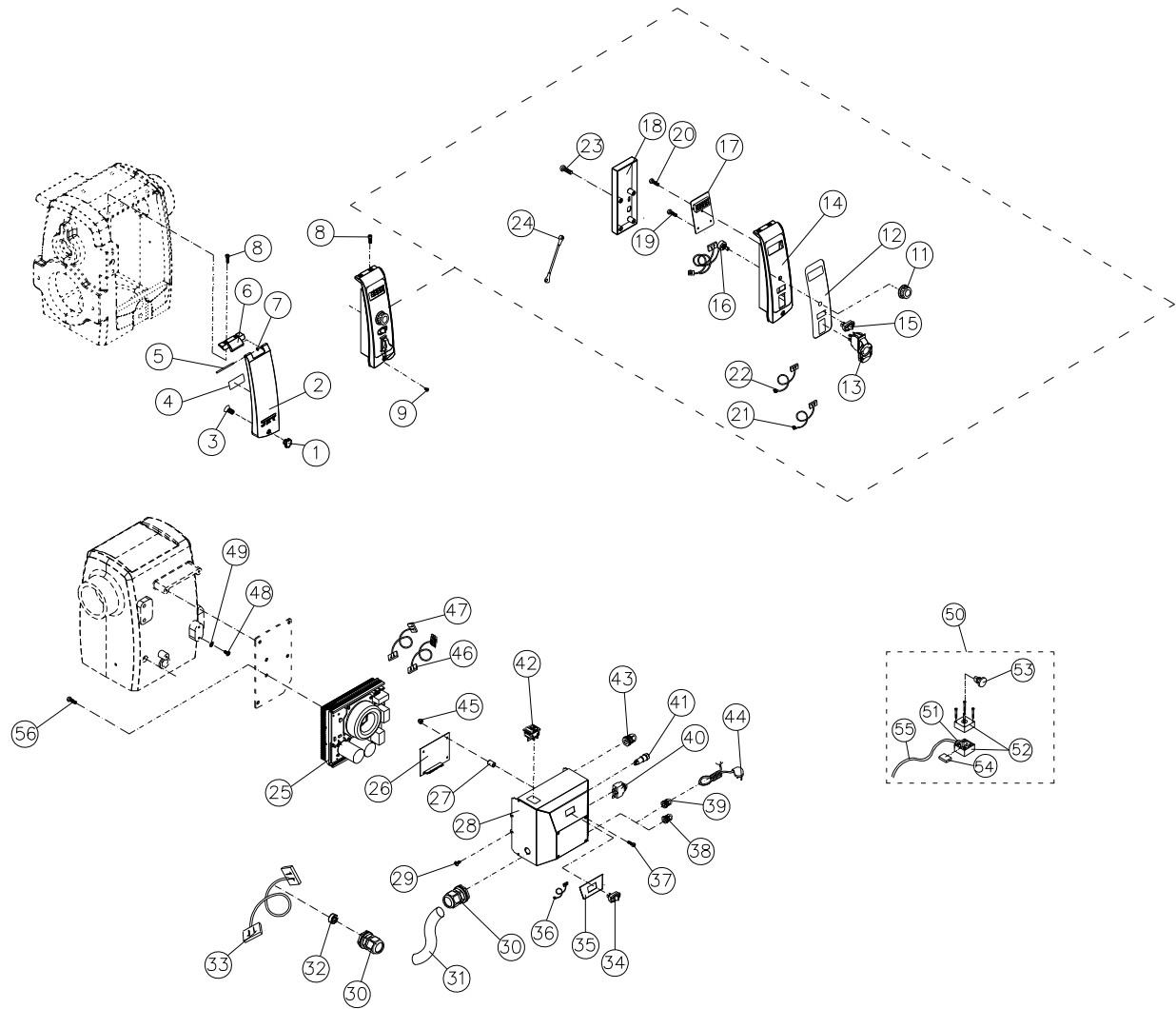


14.2.2 JWL-1840DVR Headstock Assembly – Parts List

Index No.	Part No.	Description	Size	Qty
1	JWL1642-102	Spur Center	MT2	1
2	6294736	Faceplate	3"	1
3	6295796	Nylon Insert Socket Set Screw	1/4"-20x3/8"	10
4	JWL1640EVS-104	Spindle		1
5	BB-6207VV	Bearing	6207LLB	1
6	3520B-208	Bushing		1
7	BB-6207ZZ	Bearing	6207ZZ	1
8	JWL1840DVR-108	Headstock Casting		1
10	JWL1840DVR-110	Spindle Pulley		1
11	TS-0270031	Set Screw	5/16"-18x3/8"	2
12	JWL1642-174	Locking Collar		1
13	JWL1640EVS-113	Key	8x8x90	1
14	JWL1640EVS-114	C-Ring	S-8	1
15	JWL1640EVS-115	Spring		1
16	JWL1640EVS-116	Index Pin		1
17	BB-6205ZZ	Bearing	6205ZZ	1
18	JWL1840DVR-118	Handwheel		1
19	JWL1640EVS-119	C-Ring	S-19	2
20	TS-081C052	Pan Head Screw	#10-24x3/4"	2
21	TS-069204	Flat Washer	#10	3
23	TS-0560071	Hex Nut	#10-24	2
24	6716139	Socket Head Flat Screw	3/8-16 x 1"	4
26	JWL1442-116	Spring		1
27	JWL1640EVS-127	Spindle Lock Pin		1
28	JWL1442-121	Bracket		1
29	4224B-143	Wear Resistant Washer		1
30	4224B-1122E	Sliding Plate		1
31	TS-0253031	Socket Head Button Screw	#10-24x1/2"	6
32	JWL1640EVS-PPA	Pivot Pin Assembly (includes #33 thru 38)		1
33	JWL1442-176	Index Bushing		1
34	JWL1640EVS-134	Pivot Index Pin		1
35	JWL1442-175	Spring		1
36	JWL1442-173	Index Knob		1
37	JWL1442-172	Spring		1
38	JWL1440-177	Socket Head Cap Screw		1
39	JWL1640EVS-139	Belt	200J-8	1
40	JWL1640EVS-140	Socket Head Cap Screw	10#-24x1/4"	2
41	JWL1640EVS-141	Cushion		1
42	JWL1442-127	Bushing		1
43	JWL1442-128A	Bolt		1
44	JWL1442-129	Support Bracket		1
45	JWL1440-133	Index Bracket		1
46	JWL1442-154	Clamp		1
47	TS-0650081	Hex Nylon Lock Nut	3/4"-10	1
48	JWL1840DVR-148	Motor Pulley		1
49	JWL1840DVR-149	Motor Plate		1
51	TS-0720091	Lock Washer	3/8"	5
53	JWL1840DVR-153	Motor	2HP 3Ph 230V	1
66	JWL1640EVS-166	Eccentric Rod		1
67	JWL1640EVS-167	Handle with Rubber Grip (includes #82)		1
68	TS-0680041	Flat Washer	3/8"	2
69	TS-0209011	Socket Head Cap Screw	3/8"-16x1/2"	1
70	JWL1642-183	Clamp		1
71	JWL1640EVS-171	Safety Guard Bracket		1
72	6644005	Plunger		1
73	TS-0060061	Hex Bolt	3/8"-16x1-1/4"	2
74	JWL1442-164	Knock Out Rod		1
76	JWL1442-108	Wave Washer		1
78	JWL1640EVS-178	Plate		1

Index No.	Part No.	Description	Size	Qty
79	TS-0206041	Socket Head Cap Screw	#10-24x 3/4"	2
80	JWL1221VS-269E	Wrench (includes #81)		1
81	JWL1221VS-270	Rubber Grip		1
82	JWL1640EVS-182	Rubber Grip		1
83	JWL1840DVR-183	Mounting Plate		1
84	TS-0253031	Socket Head Button Screw	#10-24x1/2"	3
86	TS-0733031	Ext. Tooth Lock Washer	#10	1
87	TS-0271111	Set Screw	3/8"-16x 1-1/2"	2
88	TS-0570031	Hex Nut	3/8"	2
93	JWL1840EVS-193	Wave Washer	BWW-629	1
	LM000172	Caution Label – Anti-rotation Block (not shown)		1

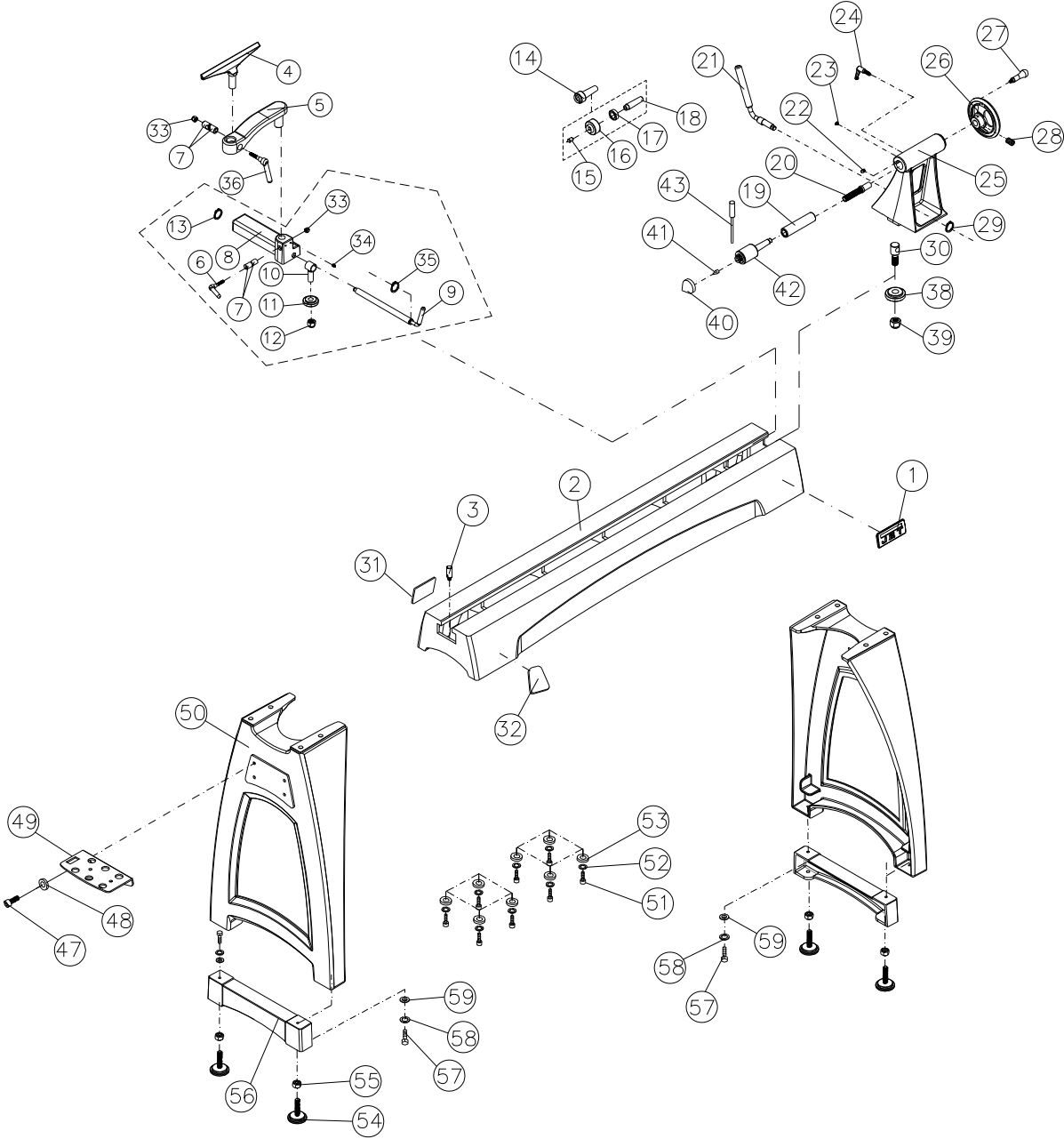
14.4.1 JWL-1840DVR Controller Assembly – Exploded View



14.4.2 JWL-1840DVR Controller Assembly – Parts List

Index No.	Part No.	Description	Size	Qty
1	JWL1640EVS-201	Knob		1
2	JWL1640EVS-202	Access Door (With Magnets)		1
3	TS-2248252	Socket Head Button Screw	M8-1.25Px25	1
4	LM000235	Speed Label		1
5	JWL1640EVS-205	Pin		1
6	JWL1640EVS-206	Hinge		1
7	JWL1640EVS-207	O- Ring		1
8	TS-0253031	Socket Head Button Screw	#10-24x1/2"	4
9	JWL1640EVS-160	Pan Head Screw	#10-24x1"	1
11	JWL1840DVR-211	Variable Speed Knob		1
12	LM000066	Control Panel Label		1
13	JWL1840DVR-213	Control Switch		1
14	JWL1640EVS-214	Control Front Cover (includes #12)		1
15	4224B-148	Switch Fwd/Rev		1
16	JWL1840DVR-216	Control Pot Assembly with Connection Cable		1
17	JWL1840DVR-217	RPM Display		1
18	JWL1840DVR-218	Back Box		1
19	F001215	Machine Screw	M3 x 18	2
20	F001062	Machine Screw	M3 x 12	1
21	JWL1840DVR-221	Connection Wire, Control Switch to RPM board		1
22	JWL1840DVR-222	Connection Wire, Direction Switch to RPM board		1
23	TS-2284082	Machine Screw	M4x8	4
24	JWL1840DVR-224	Grounding Wire (Rotary Encoder)		1
25	JWL1840DVR-225	DVR Controller		1
26	JWL1840DVR-226	HMI Board		1
27	JWL1840DVR-227	Bushing		4
28	JWL1840DVR-228	Cover		1
29	TS-1533042	Machine Screw	M5 x 12	4
30	JWL1840DVR-230	Clamp	PG 21	2
31	JWL1840DVR-231	Tube		1
32	JWL1840DVR-232	Ferrite Core		1
33	JWL1840DVR-233	Connection Cord, Control Panel to HMI		1
34	4224B-148	Education Mode Switch		1
35	JWL1840DVR-235	Label		1
36	JWL1840DVR-236	Connection Wire, Education switch to HMI		1
37	F010984	Flat Head Screw	M3 - 0.5P x 28	4
38	JML-70E	Clamp, E-Stop	PG 9	1
39	54A-S39	Clamp, Motor Cable	PG 11	1
40	JWL1840DVR-240	Overload Protector		1
41	JWL1840DVR-241	Fuse Seat with Fuse		1
	JWL1840DVR-241F	Fuse (Not Shown)	15A, 250V	1
42	JWL1840DVR-242	Main Switch		1
43	JML-70E	Strain Relief	PG9	1
44	JWL1840DVR-244	Power Cord		1
45	TS-1540011	Hex Nut	M3	4
46	JWL1840DVR-246	Wire, DVR Driver to Motor Sensor Cable		1
47	JWL1840DVR-247	Wire, DVR Driver to HMI (Power supply)		1
48	TS-0810012	Pan Head Screw	#10-24x1/4"	1
49	TS-0733031	Ext. Tooth Lock Washer	#10	1
50	JWL1840DVR-250	Remote Switch Assembly (Includes #51 thru 55)		1
51	JML-70E	Strain Relief	PG9	1
52	6295761E	Remote Switch Box Assembly		1
53	JWL1840DVR-253	E-Stop Switch Assembly		1
54	4224B-1112	Magnet		1
55	JWL1840DVR-255	E-stop Cord		1
56	TS-1514041	Socket Head Button Screw	M6x25	3
57	JWL1840DVR-257	Wire, Main Switch to Overload (Not shown)		1
58	JWL1840DVR-258	Wire, Overload to Fuse (Not shown)		1
59	JWL1840DVR-259	Wire, Fuse to DVR controller (Not shown)		1

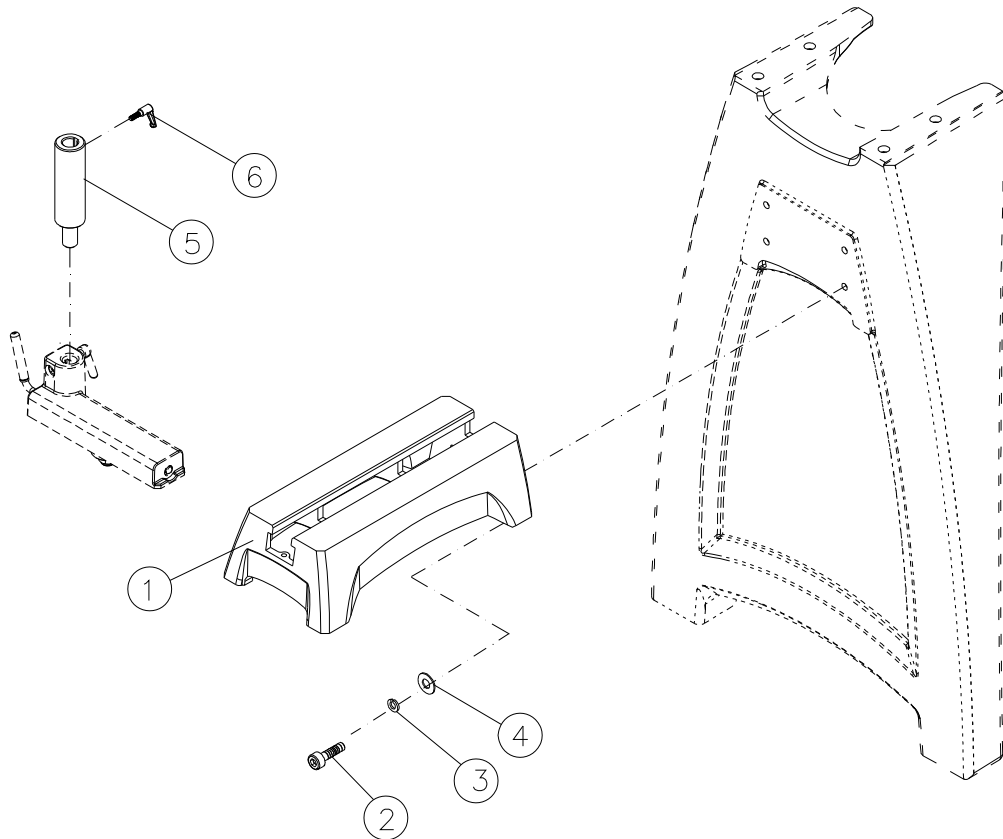
14.5.1 JWL-1840EVS/DVR Bed and Stand Assembly – Exploded View



14.5.2 JWL-1840EVS/DVR Bed and Stand Assembly – Parts List

Index No.	Part No.	Description	Size	Qty
1	JET-113	JET Nameplate	113x47mm	1
2	JWL1440-202	Bed		1
3	JWL1440-203	Stud		2
4	6294742E	Tool Rest	14"	1
5	JWL1440-205	Tool Rest Extension		1
	JWL1840EVS-TBA	Tool Rest Base Assembly (includes #6 thru 13, 33, 34, 35)		1
6	JWL1440-206	Handle	3/8"	1
7	JWL1440-207	Tool Rest Lock Bushing Set		2
8	JWL1840EVS-308	Tool Rest Base		1
9	JWL1840EVS-309	Tool Support Rod		1
10	JWL1442-128	Clamp Bolt		1
11	JWL1442-154	Clamp		1
12	TS-0650081	Hex Nylon Lock Nut	3/4"-10	1
13	JWL1840EVS-313	C-Ring	S-18	1
14	708331	Live Center Assembly (includes #15 thru 18)		1
15	JML-52A	Center Point for Live Center		1
16	JML-52	Live Center Head		1
17	BB-6002ZZ	Ball Bearing	6002ZZ	1
18	JML-54	Live Center Shaft		1
	JWL1840EVS-TA	Tailstock Assembly (includes #19 thru 30, 38, 39)		1
19	JWL1640EVS-319	Quill	MT2	1
20	JWL1640EVS-320	Lead Screw		1
21	JWL1440-221	Tailstock Rod		1
22	JWL1221VS-227	Key		1
23	JWL1640EVS-323	Socket Head Button Screw	#10-32x5/8"	1
24	JWL1015-137	Tailstock Lock Handle		1
25	JWL1840EVS-325	Tailstock Casting		1
26	JWL1440-226	Handwheel		1
27	JWL1442-211	Handle		1
28	TS-0267041	Set Screw	1/4"-20x 3/8"	2
29	JWL1440-229	C-Ring	S-12	1
30	JWL1440-230	Bolt		1
31	LM000214	ID Label, JWL-1840EVS		1
	LM000234	ID Label, JWL-1840DVR		1
32	JWL1221VS-211	Warning Label		1
33	TS-0570031	Hex Nut	3/8"	2
34	TS-0267021	Set Screw	1/4"-20x1/4"	2
35	JWL1442-228	C-Ring	S-25	1
36	JWL1440-206	Handle		1
38	JWL1442-154	Clamp		1
39	TS-0650081	Hex Nylon Lock Nut	3/4"-10	1
	6295902	Live Center Assembly (includes index #40 thru #43)		1
40	6295905	Live Center Cone		1
41	6295904	Live Center Tip		1
42	6295903	Live Center Body		1
43	6295906	Live Center Rod		1
47	TS-0209031	Socket Head Cap Screw	3/8"-16x3/4"	2
48	TS-0680042	Flat Washer	3/8"	5
49	JWL1640EVS-349	Tool Shelf		1
50	JWL1840EVS-350	Leg		2
51	TS-0208071	Socket Head Cap Screw	5/16"-18x1-1/4"	8
52	TS-0720081	Lock Washer	5/16"	8
53	TS-0680031	Flat Washer	5/16"	8
54	JWL1642-206	Adjustable Foot	3/8"	4
55	TS-0561031	Hex Nut	3/8"	4
56	JWL1840EVS-356	Riser Block		2
57	TS-0060061	Hex Cap Screw	3/8"-16x1-1/4"	4
58	TS-0720091	Lock Washer	3/8"	4
59	TS-0680041	Flat Washer	3/8"	4

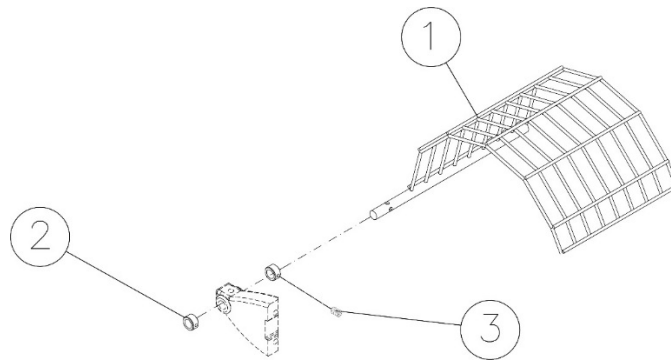
14.6.1 JWL-1840EVS/DVR Extension Bed Assembly (OPTIONAL) – Exploded View



14.6.2 JWL-1840EVS/DVR Extension Bed Assembly (OPTIONAL) – Parts List

Index No.	Part No.	Description	Size	Qty
.....	719401	20" Extension Bed w/ Post (includes #1 thru 6)	1
1	JWL1440-301	Extension Bed	20"	1
2	TS-0209071	Socket Head Cap Screw	3/8"-16x1-1/2"	4
3	TS-0720091	Lock Washer	3/8"	4
4	TS-0680041	Flat Washer	3/8"	4
5	3520B-310	Extension Post	1
6	6294763	Locking Handle	1

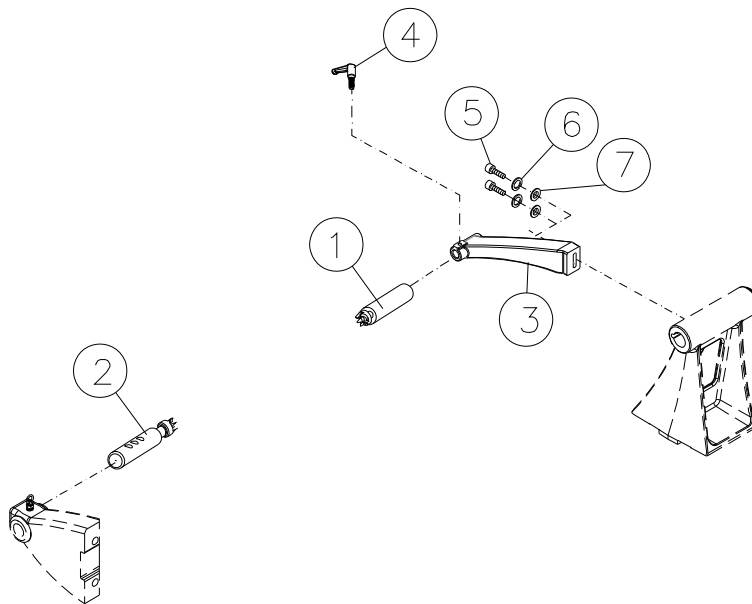
14.7.1 JWL-1840EVS/DVR Guard Assembly (OPTIONAL) – Exploded View



14.7.2 JWL-1840EVS/DVR Guard Assembly (OPTIONAL) – Parts List

Index No.	Part No.	Description	Size	Qty
.....	719002	Lathe Guard Assembly (includes #1 thru 3)
1	JWL1642-179	Guard	1
2	JWL1642-187	Collar	2
3	TS-0270011	Set Screw	5/16"-18 x 1/4"	2

14.8.1 JWL-1840EVS/DVR Comparator Kit (OPTIONAL)–Exploded View



14.8.2 JWL-1840EVS/DVR Comparator Kit (OPTIONAL) – Parts List

Index No.	Part No.	Description	Size	Qty
.....	719601	Spindle Comparator Kit (#1 thru 7)
1	3520B-151	Comparator Rear Center	1
2	3520B-275	Comparator Spur Center	1
3	JWL1840EVS-403	Comparator Bracket	1
4	6350031	Handle	3/8"	1
5	TS-0208071	Socket Head Cap Screw	5/16"-18x1-1/4"	2
6	TS-0720081	Lock Washer	5/16"	2
7	TS-0680031	Flat Washer	5/16"	2