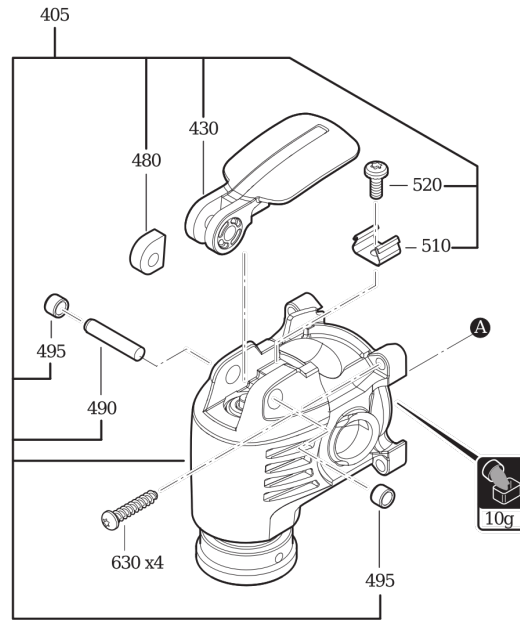


**Type:** AMM 500 Plus AS (18V)  
**Part no.:** 71293800940

<b>Item</b>	<b>Part no.</b>	<b>Designation</b>	<b>Quantity</b>
10	31901247030	Motor housing	1
30	32805321000	Slide switch	1
100	30762656990	Electronics	1
155	31415110000	Pressure piece	2
160	31415161000	Pressure piece	4
170	31415184000	Pressure piece	1
200	54111004800	Motor	1
240	40612167000	Sealing ring	1
245	41701000020	Grooved ball bearing	1
250	42616046003	Circlip	1
255	30501370010	Magnet	1
405	31508287040	Tool head	1
430	34300000012	Lever	1
480	33218150000	Eccentric ring	1
490	40242064000	Straight pin	1
495	30507220000	Bush	2
510	30907067000	Locking spring	1
520	43064023045	Fillister head screw	1
630	43074009000	Screw	4
640	43074010000	Screw	7
690	30907070000	Locking spring	1
2500	32217517000	RFID Transponder VE1	1
5300	33901680000	N.A.	1

**Type:**  
**Part no.:**

AMM 500 Plus AS (18V)  
71293800940

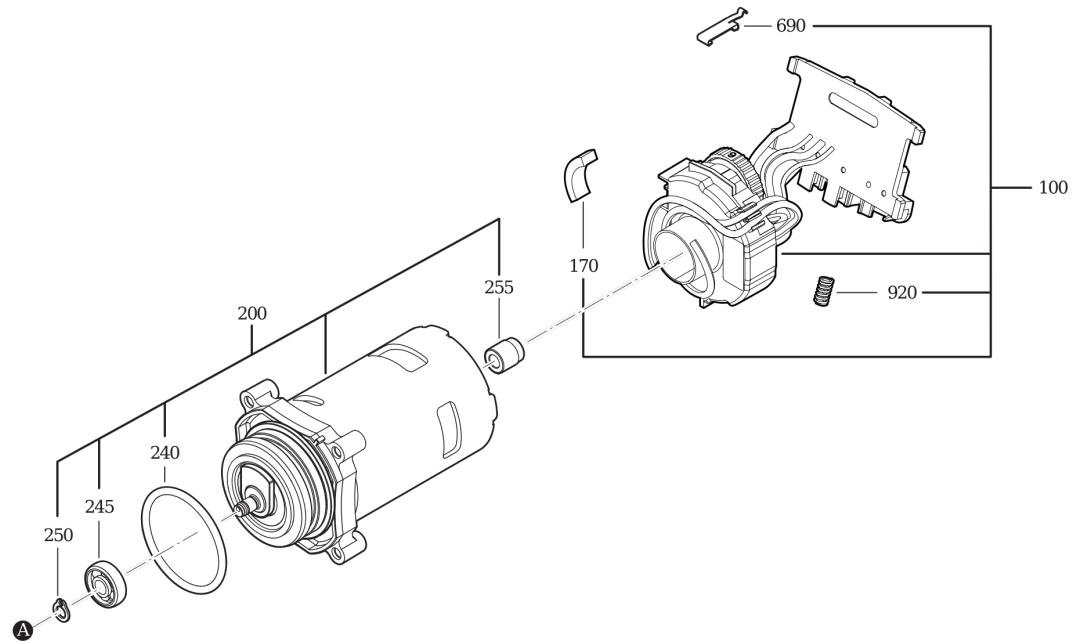


3 41 51 352 00 0



**Type:**  
**Part no.:**

AMM 500 Plus AS (18V)  
71293800940

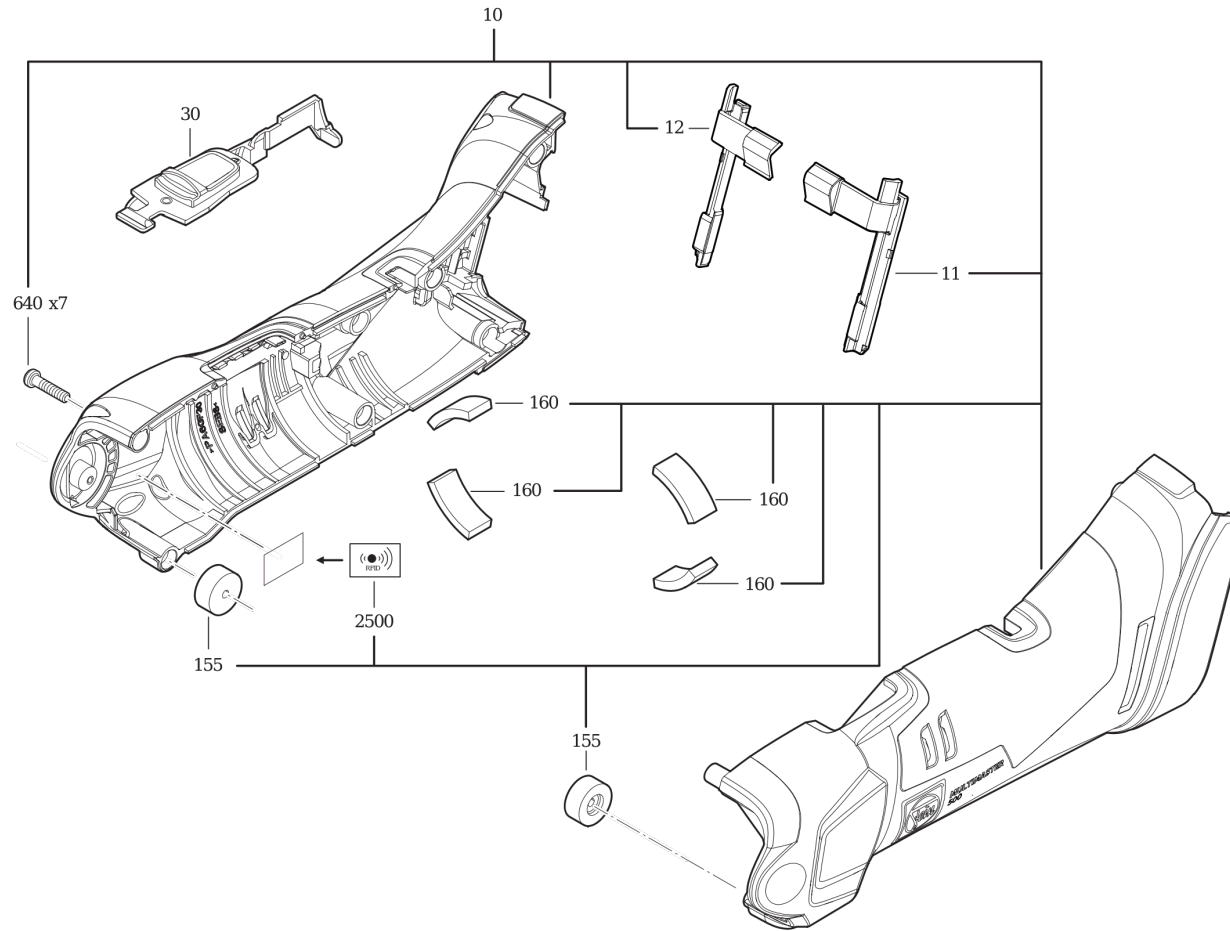


3 41 51 352 00 0



Type:  
Part no.:

AMM 500 Plus AS (18V)  
71293800940

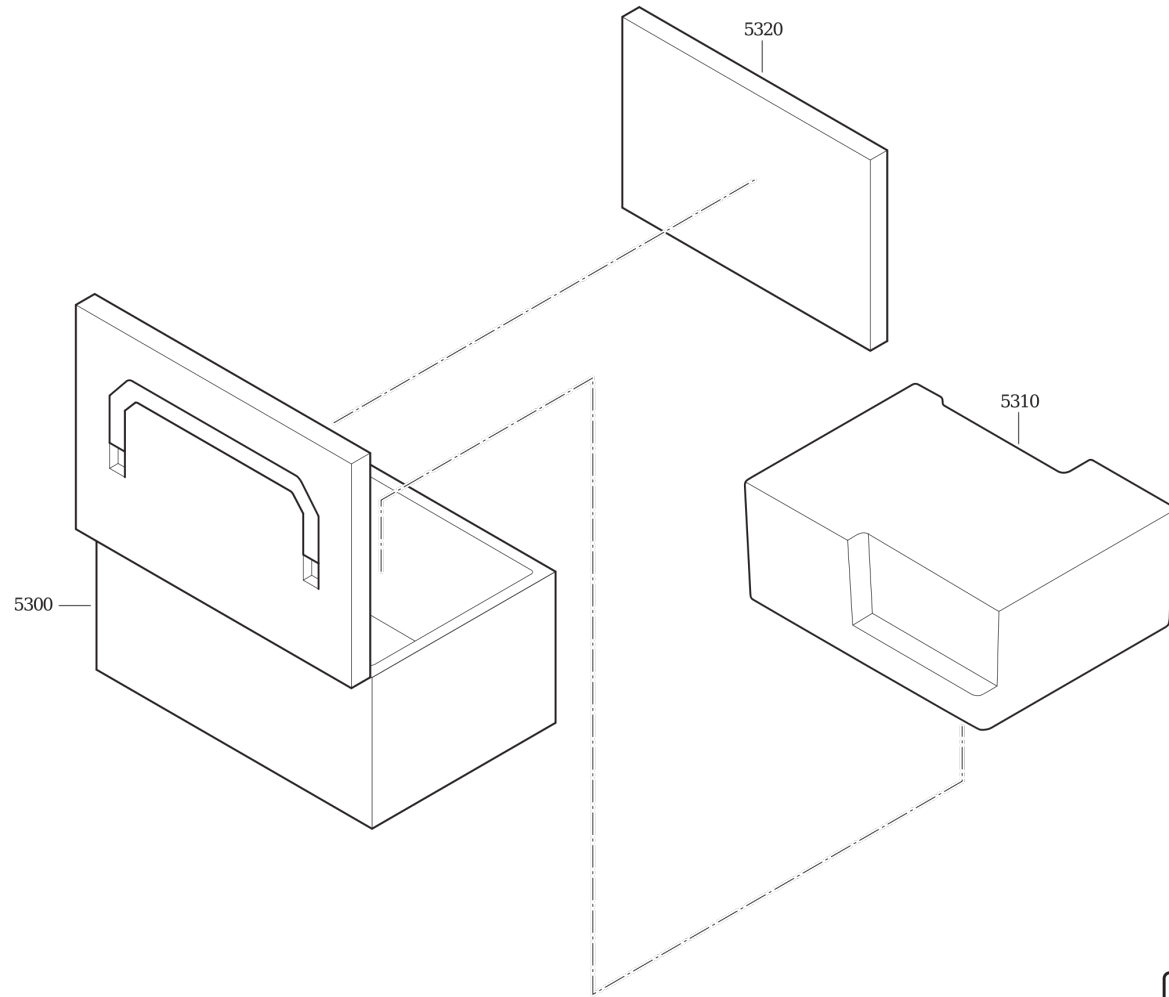


3 41 51 352 00 0



**Type:**  
**Part no.:**

AMM 500 Plus AS (18V)  
71293800940



3 41 51 352 00 0

