

**Type:** AMM 700 1.7 Q AS (18V)  
**Part no.:** 71293700940

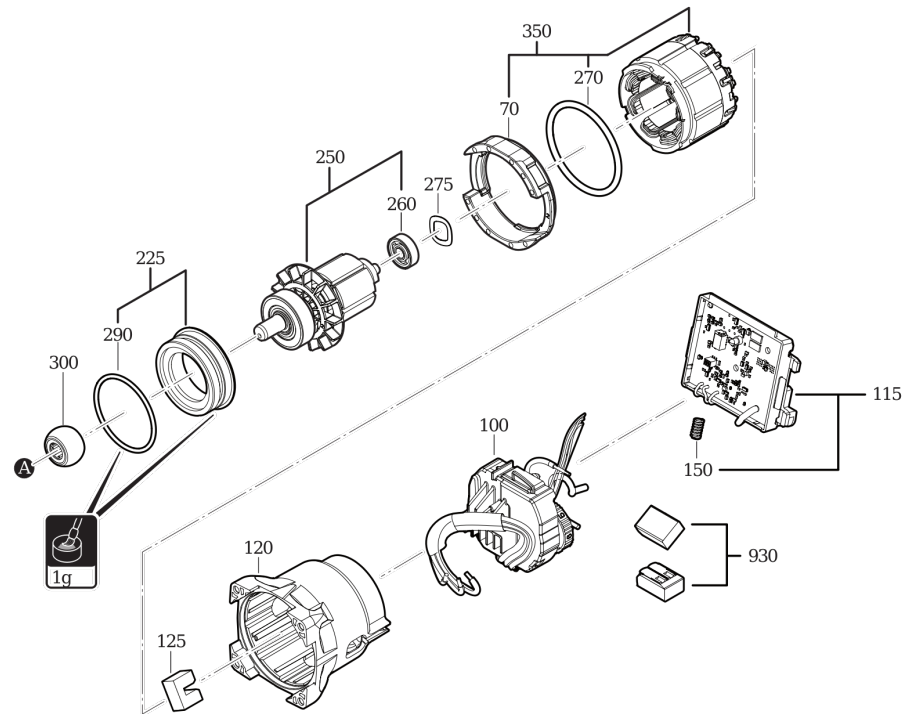
<b>Item</b>	<b>Part no.</b>	<b>Designation</b>	<b>Quantity</b>
10	31901274010	Motor housing	1
30	32805324010	Slide switch	1
70	31428193000	Air guide ring	1
100	30762657990	Electronics	1
115	30767168990	Adapter PCB	1
120	31428192000	Housing	1
125	31415181000	Pressure piece	1
155	31415110000	Pressure piece	2
160	31415160000	Pressure piece	4
225	31603052010	Bearing bush	1
250	33102010030	Rotor	1
260	41701000012	Grooved ball bearing	1
270	40612000005	Sealing ring	1
275	42446008006	Disc	1
290	40612000004	Sealing ring	1
300	41706000001	Needle bearing	1
310	42616077000	Circlip 20X1	1
330	30905077010	Cup spring package	1
350	51113013940	Stator	1
355	30220067010	Pressure piece	1
390	30503158000	Sleeve	1
405	31508299010	Tool head Quick In	1
430	32805316000	Lever	1
465	42615110009	Circlip	1

**Type:** AMM 700 1.7 Q AS (18V)  
**Part no.:** 71293700940

<b>Item</b>	<b>Part no.</b>	<b>Designation</b>	<b>Quantity</b>
480	32636042000	Eccentric ring	1
490	40242043008	Pin	1
495	30507220000	Bush	2
510	30907069000	Locking spring	1
520	43064023045	Fillister head screw	1
530	43074000004	Screw	4
535	43074010000	Screw	7
640	30240277000	Clamping unit	2
645	30610036010	Seal	1
660	42615092004	Circlip	2
670	42446023000	Spring washer	2
685	30240277010	Clamping unit Set	1
930	30728445000	Terminal	2
2500	32217517000	RFID Transponder VE1	1
5300	33901680000	N.A.	1

**Type:**  
**Part no.:**

AMM 700 1.7 Q AS (18V)  
71293700940

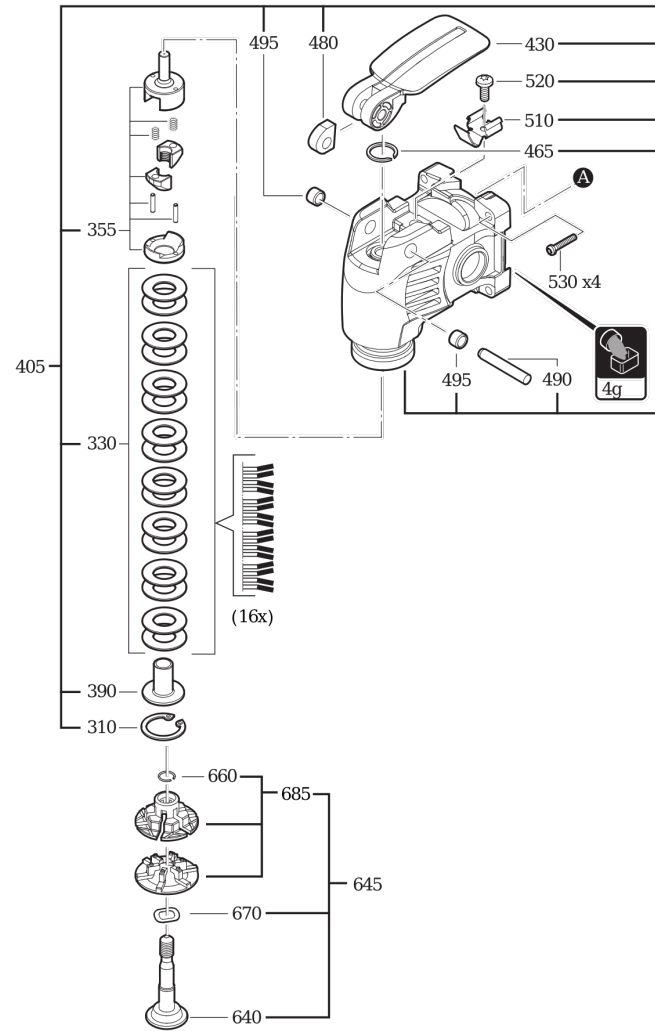


3 41 51 353 00 0



Type:  
Part no.:

AMM 700 1.7 Q AS (18V)  
71293700940

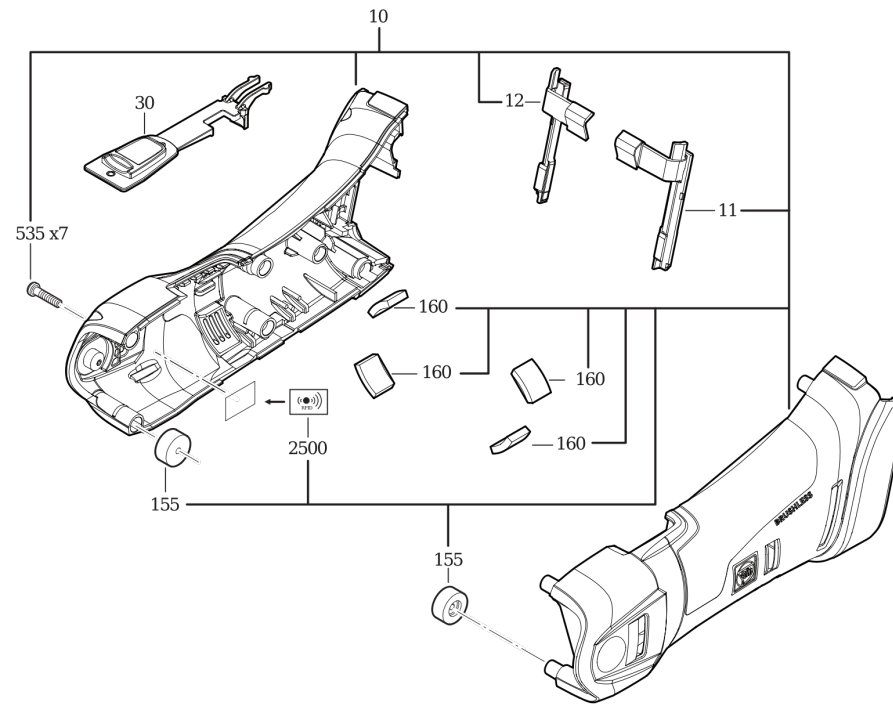


3 41 51 353 00 0



**Type:**  
**Part no.:**

AMM 700 1.7 Q AS (18V)  
71293700940

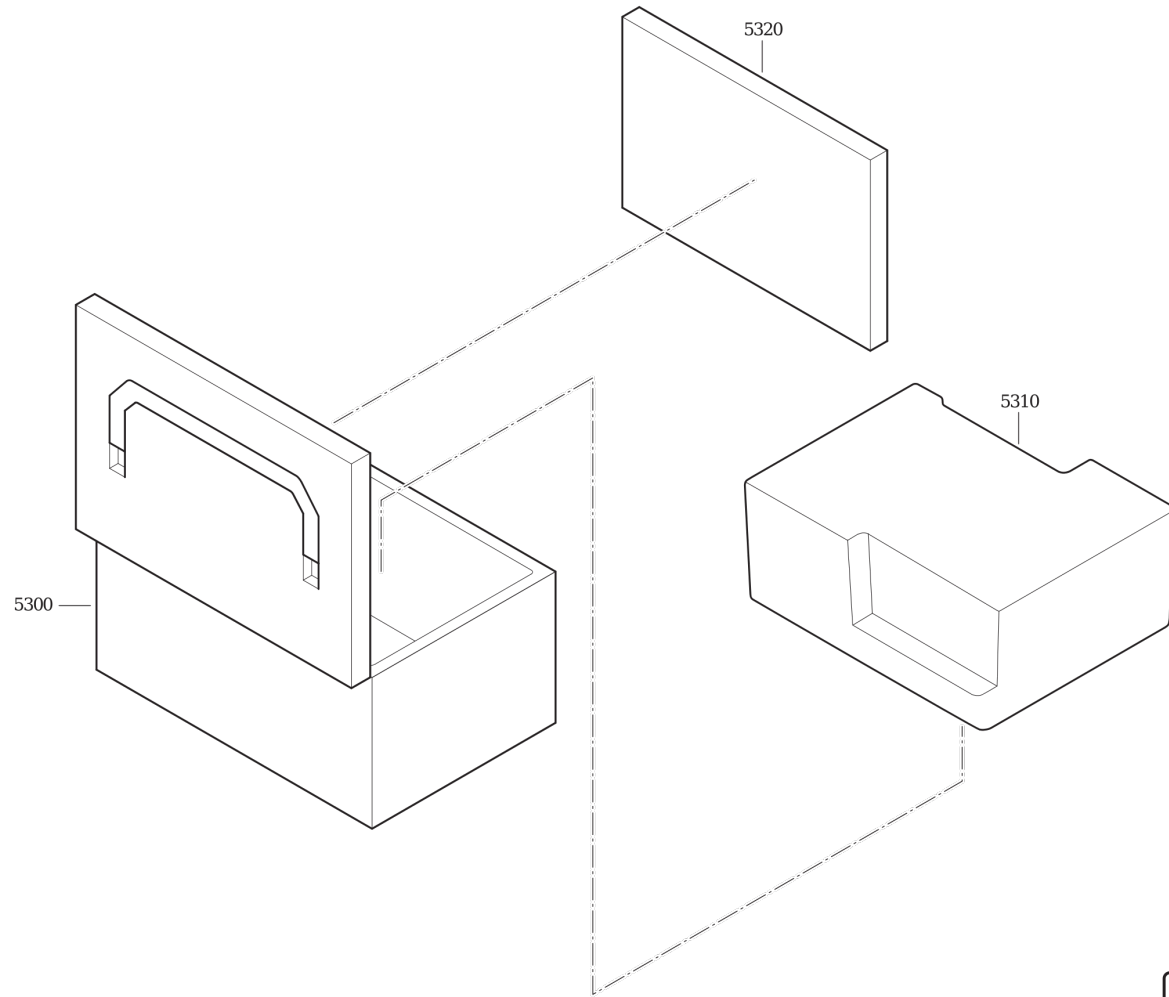


3 41 51 353 00 0



**Type:**  
**Part no.:**

AMM 700 1.7 Q AS (18V)  
71293700940



3 41 51 353 00 0

