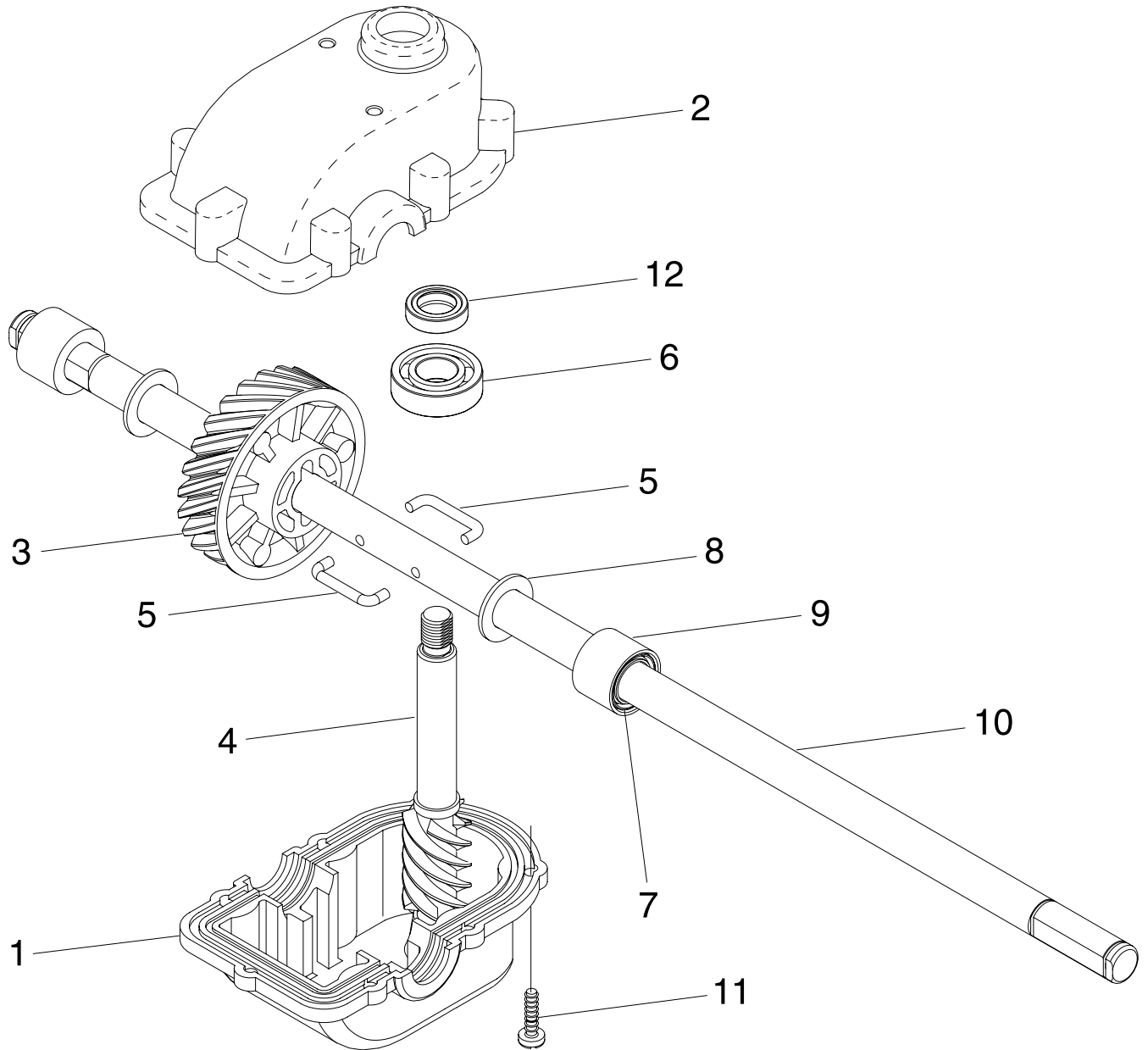


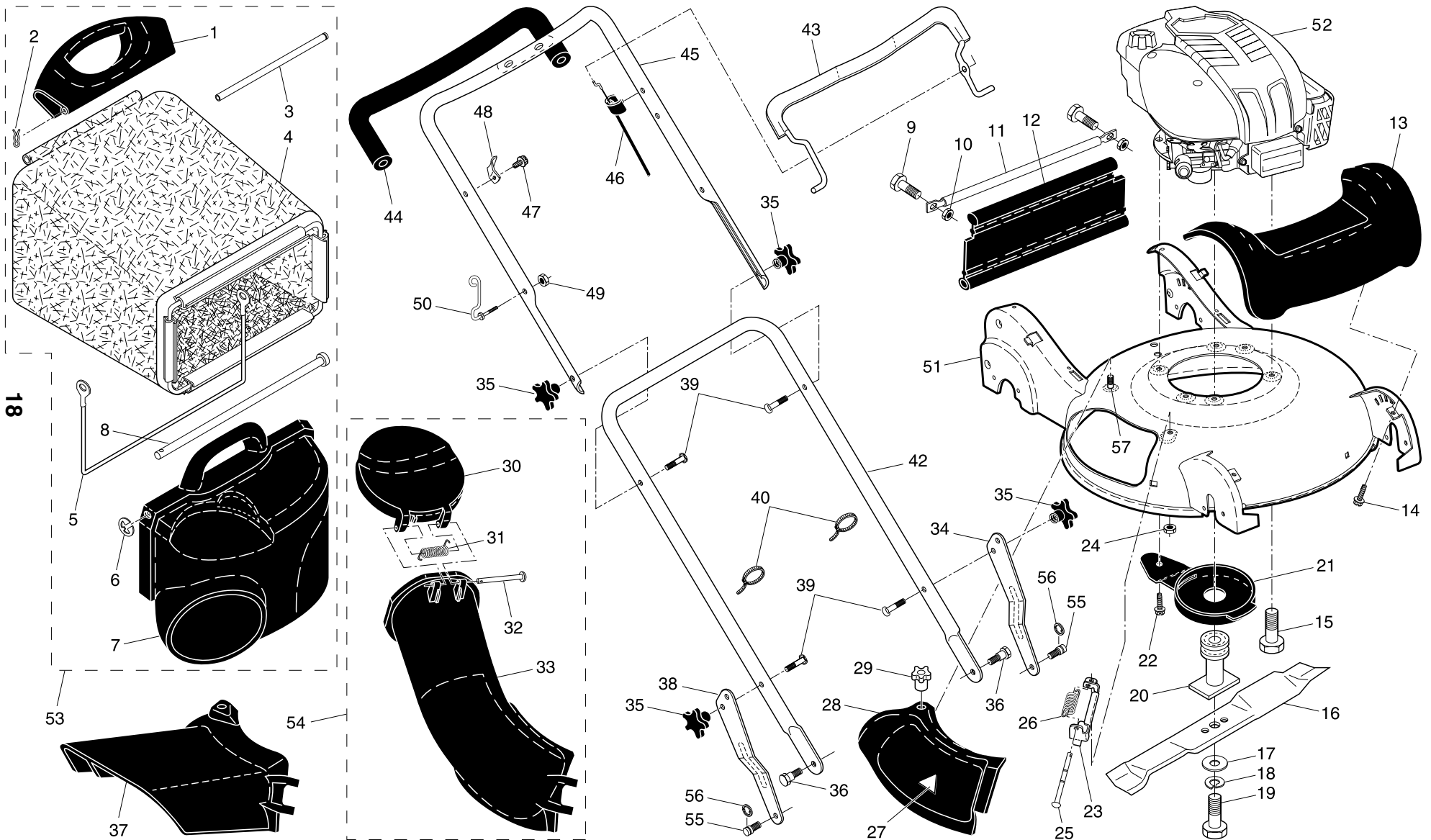
**ROTARY LAWN MOWER - - MODEL NUMBER 70R21HV
 (96143001400) - PRODUCT NUMBER 961 43 00-14
 GEAR CASE ASSEMBLY - - PART NUMBER 532 18 82-94**



| KEY NO. | PART NO. | DESCRIPTION |
|---------|--------------|---|
| 1 | 532 18 75-30 | Case, Lower |
| 2 | 532 19 12-45 | Case, Upper |
| 3 | 532 18 75-32 | Gear, 24 Teeth |
| 4 | 532 19 12-46 | Shaft, Worm |
| 5 | 532 18 35-05 | Wireform |
| 6 | 532 18 35-06 | Bearing, Ball |
| 7 | 532 18 35-08 | Seal, Output Shaft |
| 8 | 532 18 35-09 | Washer |
| 9 | 532 18 35-11 | Bushing |
| 10 | 532 19 12-47 | Shaft, Output |
| 11 | 532 18 35-13 | Screw |
| 12 | 532 18 35-14 | Seal, Worm Shaft |
| -- | 532 75 03-69 | Grease, Texaco Starplex Premium 1 (Do not substitute) (1.4 ounce capacity) |

NOTE: All component dimensions given in U.S. inches. 1 inch = 25.4 mm. **IMPORTANT:** Use only Original Equipment Manufacturer (O.E.M.) replacement parts. Failure to do so could be hazardous, damage your lawn mower and void your warranty.

ROTARY LAWN MOWER - - MODEL NUMBER 70R21HV (96143001401) - PRODUCT NUMBER 961 43 00-14



ROTARY LAWN MOWER - - MODEL NUMBER 70R21HV (96143001401) - PRODUCT NUMBER 961 43 00-14

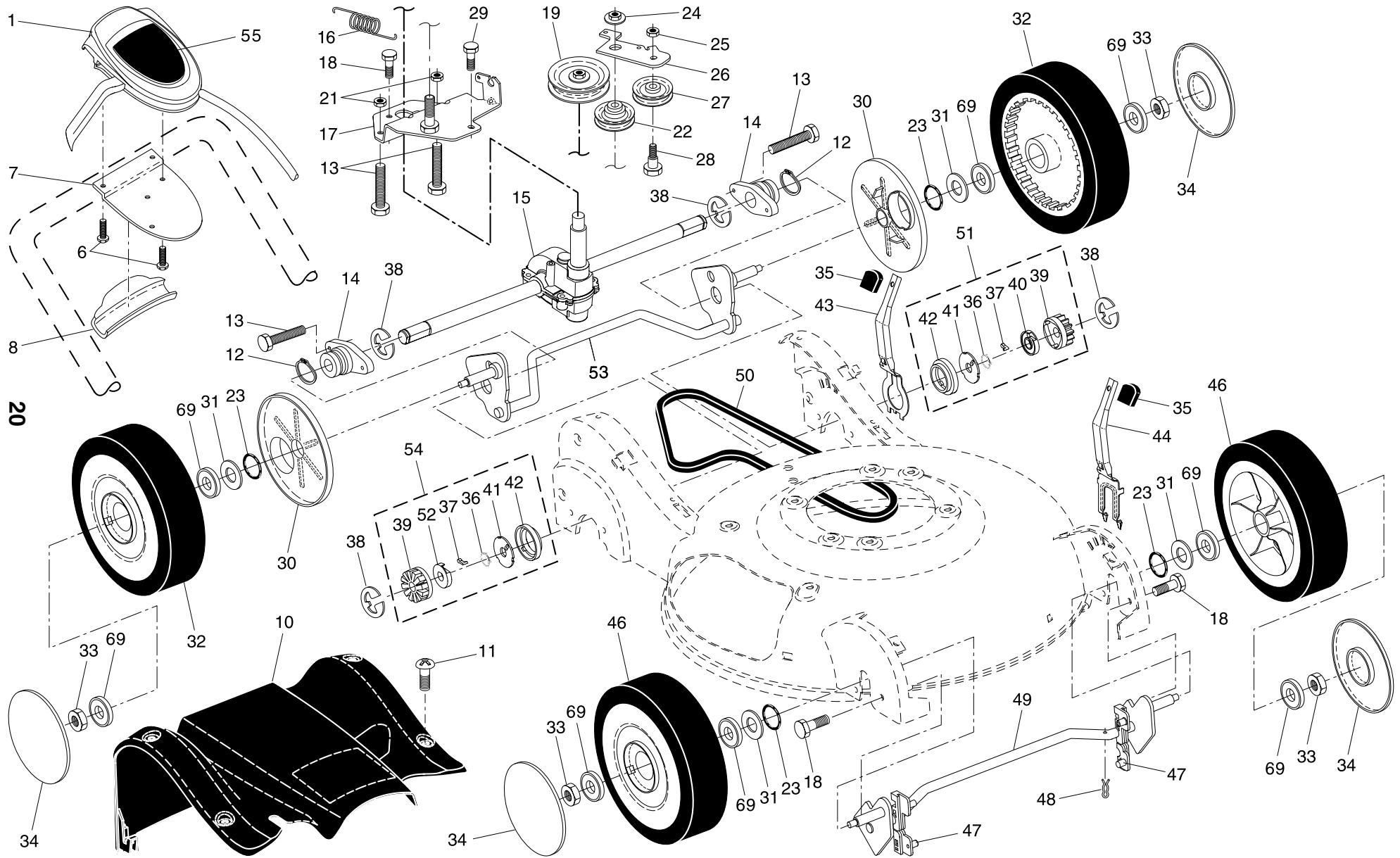
19

| KEY NO. | PART NO. | DESCRIPTION | KEY NO. | PART NO. | DESCRIPTION |
|---------|--------------|--------------------------------|---------|--------------|---|
| 1 | 532 19 05-82 | Handle, Grassbag, Rear | 31 | 532 18 34-78 | Spring, Door, Discharge Chute |
| 2 | 532 06 53-22 | Hairpin Cotter | 32 | 532 18 34-45 | Rod, Door, Discharge Chute |
| 3 | 532 18 34-83 | Rod, Rear Handle, Grassbag | 33 | 532 19 05-78 | Discharge Chute, Plastic |
| 4 | 532 40 16-84 | Grassbag | 34 | 532 19 06-19 | Adjustment Bracket, Lower Handle, LH |
| 5 | 532 18 85-06 | Frame, Grassbag | 35 | 532 18 55-88 | Knob, Star |
| 6 | 812 00 00-14 | E-Ring | 36 | 532 19 41-87 | Screw, Hex Head 5/16 x 11/16 |
| 7 | 532 19 05-81 | Door, Grassbag | 37 | 532 18 59-96 | Deflector, Discharge |
| 8 | 532 18 34-79 | Rod, Pivot | 38 | 532 19 06-21 | Adjustment Bracket, Lower Handle, RH |
| 9 | 872 14 04-05 | Bolt | 39 | 532 19 15-74 | Bolt, Handle |
| 10 | 873 80 04-00 | Nut, Hex | 40 | 532 06 64-26 | Wire Tie |
| 11 | 532 19 06-92 | Tube, Rear Skirt | 42 | 532 18 70-96 | Handle Assembly, Lower |
| 12 | 532 19 64-74 | Skirt, Rear | 43 | 532 18 62-98 | Bail, Control |
| 13 | 532 19 05-19 | Cover, Front | 44 | 532 18 27-48 | Grip, Foam |
| 14 | 532 19 41-89 | Screw, Hex Washer Head | 45 | 532 18 62-96 | Handle Assembly, Upper (Includes Foam Grip) |
| 15 | 532 15 04-06 | Bolt, Engine Mounting | 46 | 532 19 77-40 | Cable, Engine Zone Control |
| 16 | 532 18 90-28 | Blade, 21" | 47 | 532 75 06-34 | Screw |
| 17 | 532 85 10-74 | Washer, Hardened | 48 | 532 12 52-03 | Bracket, Upstop |
| 18 | 532 85 02-63 | Washer, Lock | 49 | 532 13 20-04 | Nut, Hex 1/4-20 |
| 19 | 532 19 17-60 | Bolt, Hex Head, Grade 8 | 50 | 532 18 85-01 | Rope Guide |
| 20 | 532 18 67-66 | Adapter, Blade | 51 | 532 18 97-92 | Kit, Housing |
| 21 | 532 19 05-16 | Debris Shield | 52 | - - - | Engine, Briggs & Stratton, Model Number 128602 (order parts from engine manufacturer) |
| 22 | 817 60 04-06 | Screw, Hex Head, Serrated | 53 | 532 19 47-35 | Grassbag Assembly, Complete (Consists of Key Numbers 1-8) |
| 23 | 532 18 36-09 | Mounting Bracket, Mulcher Door | 54 | 532 18 90-14 | Discharge Chute Assembly, Complete (Consists of Key Numbers 30 through 33) |
| 24 | 532 19 17-30 | Nut, Hex | 55 | 532 18 86-28 | Stud, Shoulder, T45 |
| 25 | 532 18 34-45 | Rod, Hinge | 56 | 812 00 00-58 | E-Ring, T45 |
| 26 | 532 18 34-46 | Spring, Mulcher Door | 57 | 532 18 86-34 | Stud, Threaded 1/4-20 x 5/8 |
| 27 | 532 10 73-39 | Decal, Danger | -- | 532 16 23-00 | Decal, Warning (not shown) |
| 28 | 532 19 05-15 | Mulcher Door | -- | 532 40 35-14 | Owner's Manual, English / French |
| 29 | 532 18 34-47 | Knob | | | |
| 30 | 532 19 05-80 | Door, Discharge Chute | | | |

NOTE: All component dimensions given in U.S. inches. 1 inch = 25.4 mm.

IMPORTANT: Use only Original Equipment Manufacturer (O.E.M.) replacement parts. Failure to do so could be hazardous, damage your lawn mower and void your warranty.

ROTARY LAWN MOWER - - MODEL NUMBER 70R21HV (96143001401) - PRODUCT NUMBER 961 43 00-14



ROTARY LAWN MOWER - - MODEL NUMBER 70R21HV (96143001401) - PRODUCT NUMBER 961 43 00-14

| KEY NO. | PART NO. | DESCRIPTION |
|---------|--------------|---|
| 1 | 532 19 70-12 | Drive Control Assembly, Complete (Includes Drive Cable) |
| 6 | 532 18 16-98 | Screw, Torx Head #8-5/8 |
| 7 | 532 40 07-23 | Bracket, Mounting, Drive Control |
| 8 | 532 18 62-97 | Cap, Drive Control, Bottom |
| 10 | 532 19 05-65 | Cover Assembly, Drive |
| 11 | 532 19 41-88 | Screw |
| 12 | 812 00 00-12 | Ring, Retaining |
| 13 | 532 19 41-86 | Screw |
| 14 | 532 18 71-20 | Bearing / Axle Support |
| 15 | 532 18 82-94 | Gear Case Assembly (See Breakdown) |
| 16 | 532 19 41-24 | Spring, Return |
| 17 | 532 19 68-22 | Bracket, Gear Case / Drive Pulley |
| 18 | 532 16 34-09 | Screw |
| 19 | 532 19 41-28 | Pulley, Drive |
| 21 | 532 13 20-04 | Nut, Hex |
| 22 | 532 19 37-91 | Pulley Assembly, V-Groove |
| 23 | 532 18 81-52 | O-Ring |
| 24 | 532 14 52-12 | Nut, Hex, Flangelock |
| 25 | 873 93 05-00 | Nut, Hex, Lock |
| 26 | 532 19 65-42 | Idler Arm |
| 27 | 532 16 60-43 | Pulley, Idler |
| 28 | 532 16 08-29 | Bolt, Hex Head, Shoulder |
| 29 | 817 06 04-10 | Screw 1/4-20 x 1/16 |
| 30 | 532 18 34-57 | Cover, Dust, Wheel |

| KEY NO. | PART NO. | DESCRIPTION |
|---------|--------------|--------------------------------------|
| 31 | 532 08 83-48 | Washer, Flat 3/8 |
| 32 | 532 19 26-19 | Wheel Assembly, Rear 9 x 2-1/4 |
| 33 | 532 08 39-23 | Nut, Hex |
| 34 | 532 18 36-95 | Hubcap |
| 35 | 532 18 59-94 | Knob |
| 36 | 532 18 82-91 | Spring, Torsion |
| 37 | 532 17 50-98 | Pawl |
| 38 | 812 00 00-58 | E-Ring |
| 39 | 532 17 51-03 | Gear |
| 40 | 532 17 51-05 | Retainer, Drive, LH |
| 41 | 532 17 51-04 | Disc, Drive |
| 42 | 532 18 41-72 | Seal, Friction |
| 43 | 532 19 05-20 | Lever, Selector, Wheel Height, Rear |
| 44 | 532 19 05-18 | Lever, Selector, Wheel Height, Front |
| 45 | 532 16 34-09 | Screw |
| 46 | 532 19 22-30 | Wheel Assembly, Front 9 x 2-1/4 |
| 47 | 532 18 34-38 | Bushing, Front Axle |
| 48 | 532 16 96-75 | Retainer, Hairpin Cotter |
| 49 | 532 19 64-69 | Torque Shaft Assembly, Front |
| 50 | 532 18 36-88 | Belt, Drive |
| 51 | 532 18 83-31 | Pinion Assembly, LH |
| 52 | 532 17 51-02 | Retainer, Drive, RH |
| 53 | 532 19 59-95 | Rear Axle Assembly |
| 54 | 532 18 83-30 | Pinion Assembly, RH |
| 55 | 532 18 90-74 | Decal, Drive Control |
| 69 | 532 75 10-68 | Bearing, Ball (Wheel) |

NOTE: All component dimensions given in U.S. inches. 1 inch = 25.4 mm.

IMPORTANT: Use only Original Equipment Manufacturer (O.E.M.) replacement parts. Failure to do so could be hazardous, damage your lawn mower and void your warranty.