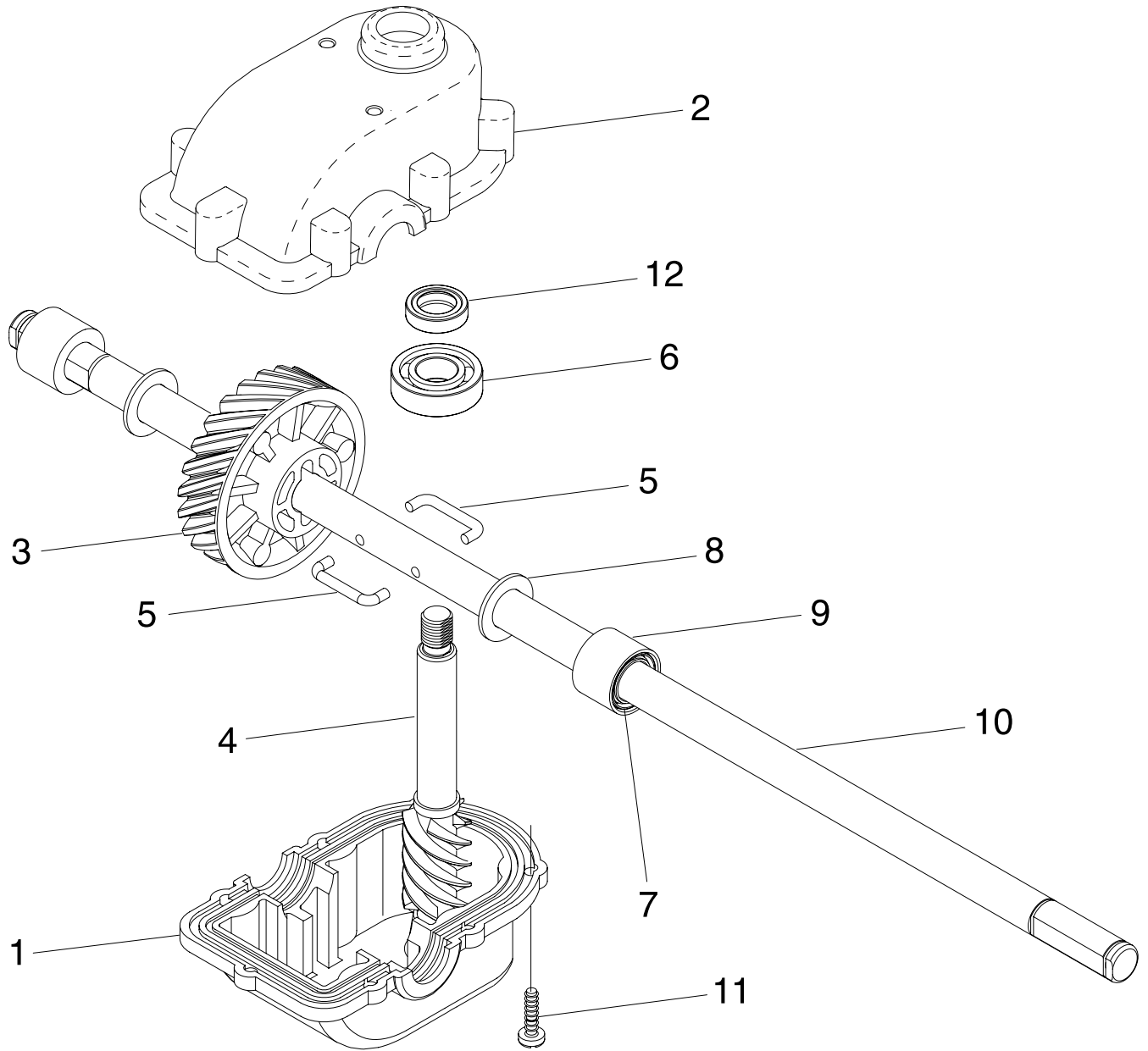


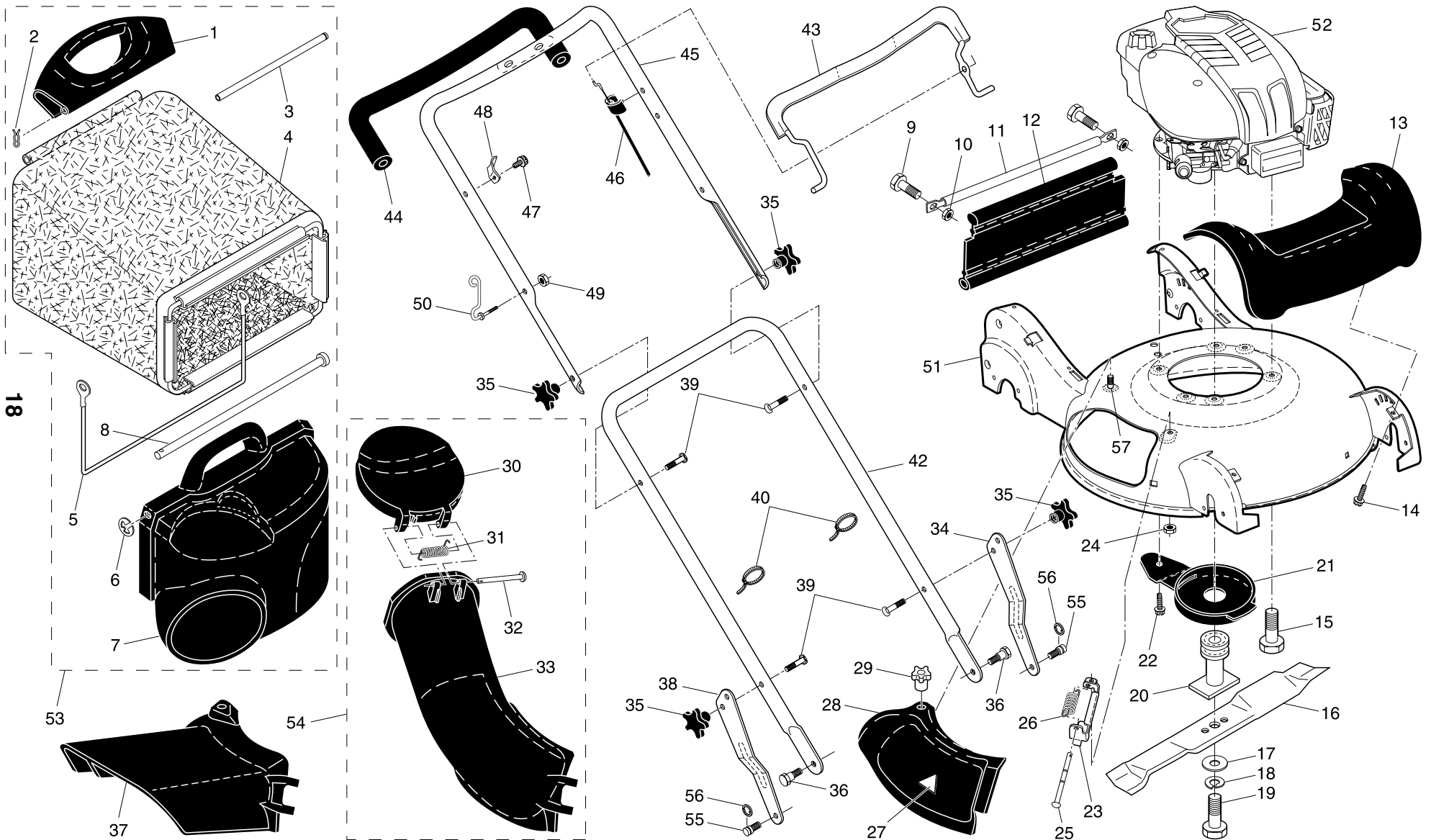
**ROTARY LAWN MOWER - - MODEL NUMBER 70R21HV
 (96143001400) - PRODUCT NUMBER 961 43 00-14
 GEAR CASE ASSEMBLY - - PART NUMBER 532 18 82-94**



KEY NO.	PART NO.	DESCRIPTION
1	532 18 75-30	Case, Lower
2	532 19 12-45	Case, Upper
3	532 18 75-32	Gear, 24 Teeth
4	532 19 12-46	Shaft, Worm
5	532 18 35-05	Wireform
6	532 18 35-06	Bearing, Ball
7	532 18 35-08	Seal, Output Shaft
8	532 18 35-09	Washer
9	532 18 35-11	Bushing
10	532 19 12-47	Shaft, Output
11	532 18 35-13	Screw
12	532 18 35-14	Seal, Worm Shaft
--	532 75 03-69	Grease, Texaco Starplex Premium 1 (Do not substitute) (1.4 ounce capacity)

NOTE: All component dimensions given in U.S. inches. 1 inch = 25.4 mm. **IMPORTANT:** Use only Original Equipment Manufacturer (O.E.M.) replacement parts. Failure to do so could be hazardous, damage your lawn mower and void your warranty.

ROTARY LAWN MOWER - - MODEL NUMBER 70R21HV (96143001400) - PRODUCT NUMBER 961 43 00-14



ROTARY LAWN MOWER - - MODEL NUMBER 70R21HV (96143001400) - PRODUCT NUMBER 961 43 00-14

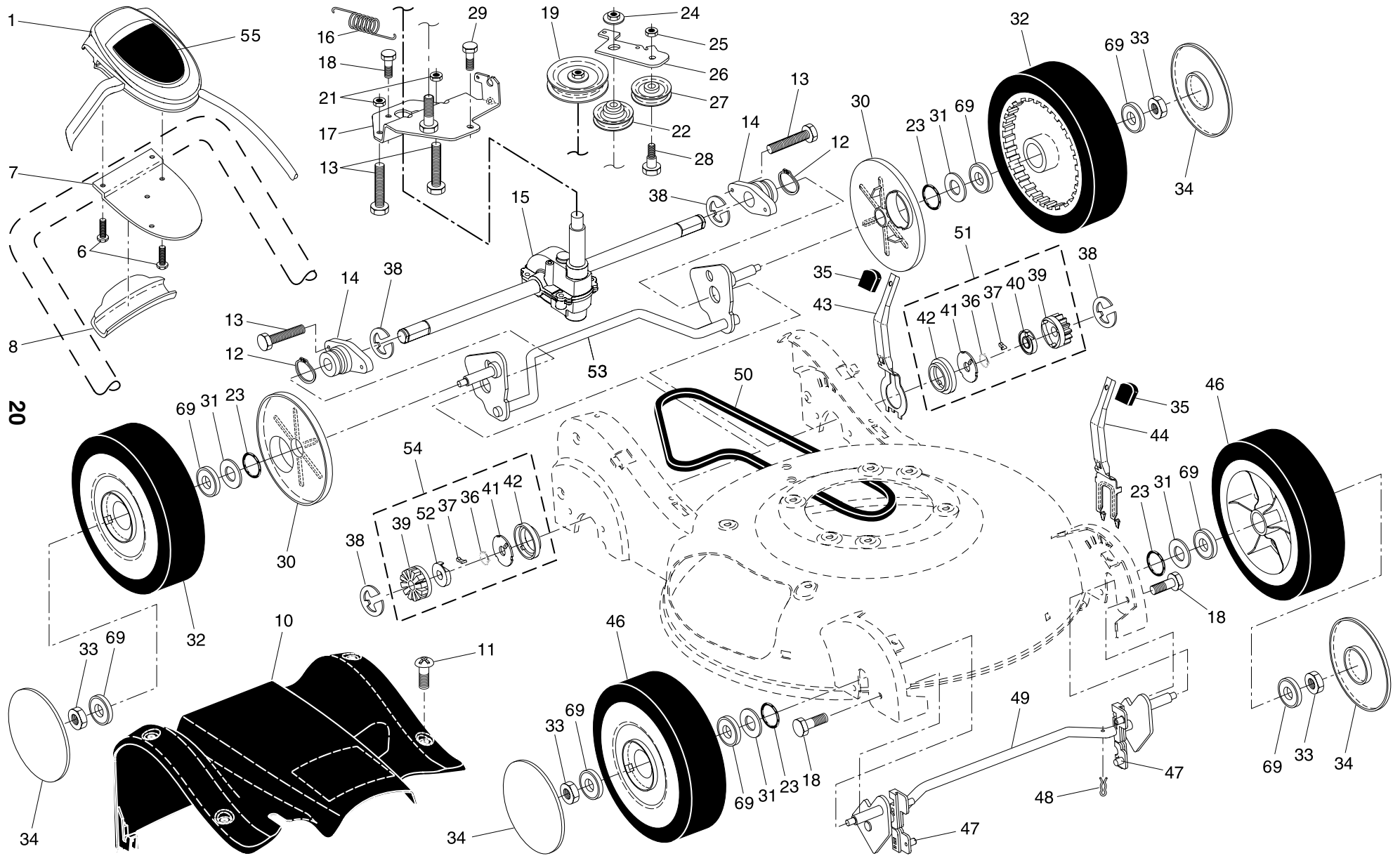
19

KEY NO.	PART NO.	DESCRIPTION	KEY NO.	PART NO.	DESCRIPTION
1	532 19 05-82	Handle, Grassbag, Rear	31	532 18 34-78	Spring, Door, Discharge Chute
2	532 06 53-22	Hairpin Cotter	32	532 18 34-45	Rod, Door, Discharge Chute
3	532 18 34-83	Rod, Rear Handle, Grassbag	33	532 19 05-78	Discharge Chute, Plastic
4	532 40 16-84	Grassbag	34	532 19 06-19	Adjustment Bracket, Lower Handle, LH
5	532 18 85-06	Frame, Grassbag	35	532 18 55-88	Knob, Star
6	812 00 00-14	E-Ring	36	532 19 41-87	Screw, Hex Head 5/16 x 11/16
7	532 19 05-81	Door, Grassbag	37	532 18 59-96	Deflector, Discharge
8	532 18 34-79	Rod, Pivot	38	532 19 06-21	Adjustment Bracket, Lower Handle, RH
9	872 14 04-05	Bolt	39	532 19 15-74	Bolt, Handle
10	873 80 04-00	Nut, Hex	40	532 06 64-26	Wire Tie
11	532 19 06-92	Tube, Rear Skirt	42	532 18 70-96	Handle Assembly, Lower
12	532 19 64-74	Skirt, Rear	43	532 18 62-98	Bail, Control
13	532 19 05-19	Cover, Front	44	532 18 27-48	Grip, Foam
14	532 19 41-89	Screw, Hex Washer Head	45	532 18 62-96	Handle Assembly, Upper (Includes Foam Grip)
15	532 15 04-06	Bolt, Engine Mounting	46	532 19 77-40	Cable, Engine Zone Control
16	532 18 90-28	Blade, 21"	47	532 75 06-34	Screw
17	532 85 10-74	Washer, Hardened	48	532 12 52-03	Bracket, Upstop
18	532 85 02-63	Washer, Lock	49	532 13 20-04	Nut, Hex 1/4-20
19	532 19 17-60	Bolt, Hex Head, Grade 8	50	532 18 85-01	Rope Guide
20	532 18 67-66	Adapter, Blade	51	532 18 97-92	Kit, Housing
21	532 19 05-16	Debris Shield	52	- - -	Engine, Briggs & Stratton, Model Number 12H602 (order parts from engine manufacturer)
22	817 60 04-06	Screw, Hex Head, Serrated	53	532 40 16-85	Grassbag Assembly, Complete (Consists of Key Numbers 1-8)
23	532 18 36-09	Mounting Bracket, Mulcher Door	54	532 18 90-14	Discharge Chute Assembly, Complete (Consists of Key Numbers 30 through 33)
24	532 19 17-30	Nut, Hex	55	532 18 86-28	Stud, Shoulder, T45
25	532 18 34-45	Rod, Hinge	56	812 00 00-58	E-Ring, T45
26	532 18 34-46	Spring, Mulcher Door	57	532 18 86-34	Stud, Threaded 1/4-20 x 5/8
27	532 10 73-39	Decal, Danger	--	532 16 23-00	Decal, Warning (not shown)
28	532 19 05-15	Mulcher Door	--	532 19 99-80	Owner's Manual, English / French
29	532 18 34-47	Knob			
30	532 19 05-80	Door, Discharge Chute			

NOTE: All component dimensions given in U.S. inches. 1 inch = 25.4 mm.

IMPORTANT: Use only Original Equipment Manufacturer (O.E.M.) replacement parts. Failure to do so could be hazardous, damage your lawn mower and void your warranty.

ROTARY LAWN MOWER - - MODEL NUMBER 70R21HV (96143001400) - PRODUCT NUMBER 961 43 00-14



ROTARY LAWN MOWER - - MODEL NUMBER 70R21HV (96143001400) - PRODUCT NUMBER 961 43 00-14

KEY NO.	PART NO.	DESCRIPTION
1	532 19 70-12	Drive Control Assembly, Complete (Includes Drive Cable)
6	532 18 16-98	Screw, Torx Head #8-5/8
7	532 40 07-23	Bracket, Mounting, Drive Control
8	532 18 62-97	Cap, Drive Control, Bottom
10	532 19 05-65	Cover Assembly, Drive
11	532 19 41-88	Screw
12	812 00 00-12	Ring, Retaining
13	532 19 41-86	Screw
14	532 18 71-20	Bearing / Axle Support
15	532 18 82-94	Gear Case Assembly (See Breakdown)
16	532 19 41-24	Spring, Return
17	532 19 68-22	Bracket, Gear Case / Drive Pulley
18	532 16 34-09	Screw
19	532 19 41-28	Pulley, Drive
21	532 13 20-04	Nut, Hex
22	532 19 37-91	Pulley Assembly, V-Groove
23	532 18 81-52	O-Ring
24	532 14 52-12	Nut, Hex, Flangelock
25	873 93 05-00	Nut, Hex, Lock
26	532 19 65-42	Idler Arm
27	532 16 60-43	Pulley, Idler
28	532 16 08-29	Bolt, Hex Head, Shoulder
29	817 06 04-10	Screw 1/4-20 x 1/16
30	532 18 34-57	Cover, Dust, Wheel

KEY NO.	PART NO.	DESCRIPTION
31	532 08 83-48	Washer, Flat 3/8
32	532 19 26-19	Wheel Assembly, Rear 9 x 2-1/4
33	532 08 39-23	Nut, Hex
34	532 18 36-95	Hubcap
35	532 18 59-94	Knob
36	532 18 82-91	Spring, Torsion
37	532 17 50-98	Pawl
38	812 00 00-58	E-Ring
39	532 17 51-03	Gear
40	532 17 51-05	Retainer, Drive, LH
41	532 17 51-04	Disc, Drive
42	532 18 41-72	Seal, Friction
43	532 19 05-20	Lever, Selector, Wheel Height, Rear
44	532 19 05-18	Lever, Selector, Wheel Height, Front
45	532 16 34-09	Screw
46	532 19 22-30	Wheel Assembly, Front 9 x 2-1/4
47	532 18 34-38	Bushing, Front Axle
48	532 16 96-75	Retainer, Hairpin Cotter
49	532 19 64-69	Torque Shaft Assembly, Front
50	532 18 36-88	Belt, Drive
51	532 18 83-31	Pinion Assembly, LH
52	532 17 51-02	Retainer, Drive, RH
53	532 19 59-95	Rear Axle Assembly
54	532 18 83-30	Pinion Assembly, RH
55	532 18 90-74	Decal, Drive Control
69	532 75 10-68	Bearing, Ball (Wheel)

NOTE: All component dimensions given in U.S. inches. 1 inch = 25.4 mm.

IMPORTANT: Use only Original Equipment Manufacturer (O.E.M.) replacement parts. Failure to do so could be hazardous, damage your lawn mower and void your warranty.