



# Assembly Instructions and Parts Manual

## XACTA<sup>®</sup> Commercial Fence & Rails (50" Rip)

for JTAS-12-DX Table Saw



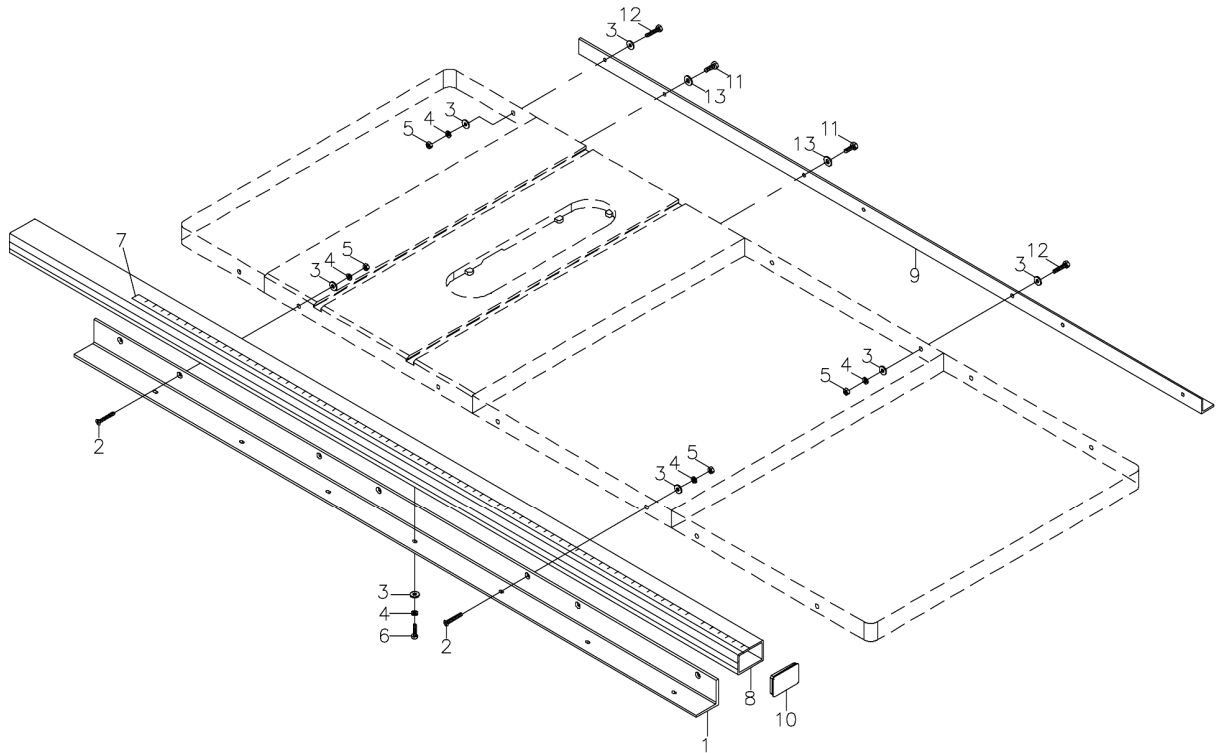
**JET**  
427 New Sanford Road  
LaVergne, Tennessee 37086  
Ph.: 800-274-6848  
[www.jettools.com](http://www.jettools.com)

**Part No. M-708955Z**  
Revision B1 02/2019  
Copyright © 2014 JET

## 7.0 Replacement Parts

Replacement parts are listed on the following pages. To order parts or reach our service department, call 1-800-274-6848 Monday through Friday (see our website for business hours, [www.jettools.com](http://www.jettools.com)). Having the Model Number and Serial Number of your machine available when you call will allow us to serve you quickly and accurately.

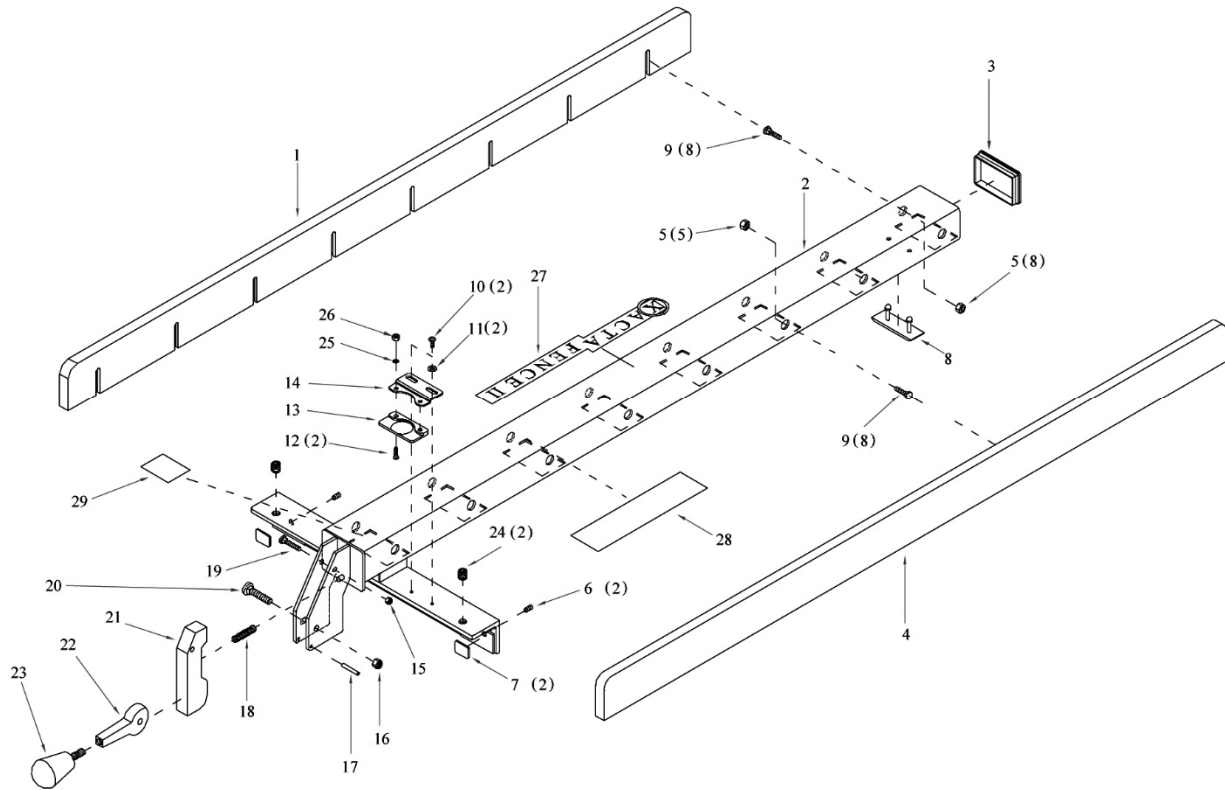
### 7.1.1 XACTA Fence Rail Assembly – Exploded View



### 7.1.2 XACTA Fence Rail Assembly – Parts List

Index No	Part No	Description	Size	Qty
.....	708956Z	XACTA Rail Assembly 50" (index # 1-13).....		1
1	XF12DX-201	Front Rail .....		1
2	TS-081F081	Flat Head Screw .....	1/4"-20 × 1-1/2"	7
3	TS-0680021	Flat Washer .....	1/4"	24
4	TS-0720071	Lock Washer .....	1/4"	19
5	TS-0561011	Hex Nut.....	1/4"-20	12
6	TS-0050031	Hex Cap Screw.....	1/4"-20 × 3/4"	7
7	XF2-207	Scale.....	50"	1
8	XF2-208	Guide Rail.....	50"	1
9	XF12DX-209	Rear Rail.....	50"	1
10	XF2-210	Guide Cover .....		2
11	TS-0081031	Hex Cap Screw.....	5/16"-18 × 3/4"	2
12	TS-0050071	Hex Cap Screw.....	1/4"-20 × 1-1/2"	5
13	TS-0680031	Flat Washer .....	5/16"	2
.....	XF12DX-HP	Hardware Package (index # 2-6 and 11-13).....		

## 7.2.1 XACTA Fence Assembly – Exploded View



## 7.2.2 XACTA Fence Assembly – Parts List

Index No	Part No	Description	Size	Qty
	708955Z	XACTA Commercial Fence 40" (index # 1-29)		1
1	XF12DX-101N	Left Side Plate		1
2	XF12DX-102	Fence Body Assembly		1
3	XF2-103	Tube Cover		1
4	XF12DX-104N	Right Side Plate		1
5	TS-0640071	Lock Nut	1/4" × 20	16
6	TS-0271031	Socket Set Screw	3/8"-16 × 3/8"	2
7	3575081	Fluoroway Pad		2
8	XF-8A	Pad		1
9	XF2-9	T-Square Bolt	1/4"-20 × 3/4"	16
10	TS-081D022	Pan Head Machine Screw	10-32 × 3/8"	2
11	TS-0680021	Flat Washer	1/4"	2
12	TS-081D021	Flat Head Machine Screw	10-32 × 3/8"	2
13	800708950D	Cursor		1
14	800708950C	Cursor Bracket		1
15	TS-0640071	Lock Nut	1/4" × 20	1
16	TS-0640081	Lock Nut	5/16"-18	1
17	XF2-117	Spring Pin	4 × 28mm	1
18	6813042	Compression Spring		1
19	TS-0151041	Carriage Bolt	1/4"-20 × 1-1/2"	1
20	TS-0152031	Carriage Bolt	5/16"-18 × 1-1/2"	1
21	3215301	Foot Cam		1
22	3076232	Lock Cam		1
23	6430055	Knob w/stud		1
24	XF-5	Nylon Adjustment Screw	1/2" × W12	2
25	TS-0680021	Flat Washer	1/4"	2
26	TS-0560081	Hex Nut	10-32	2
27	XF-27	XACTA Fence II Label		1
29	XF-29	JET Label		1