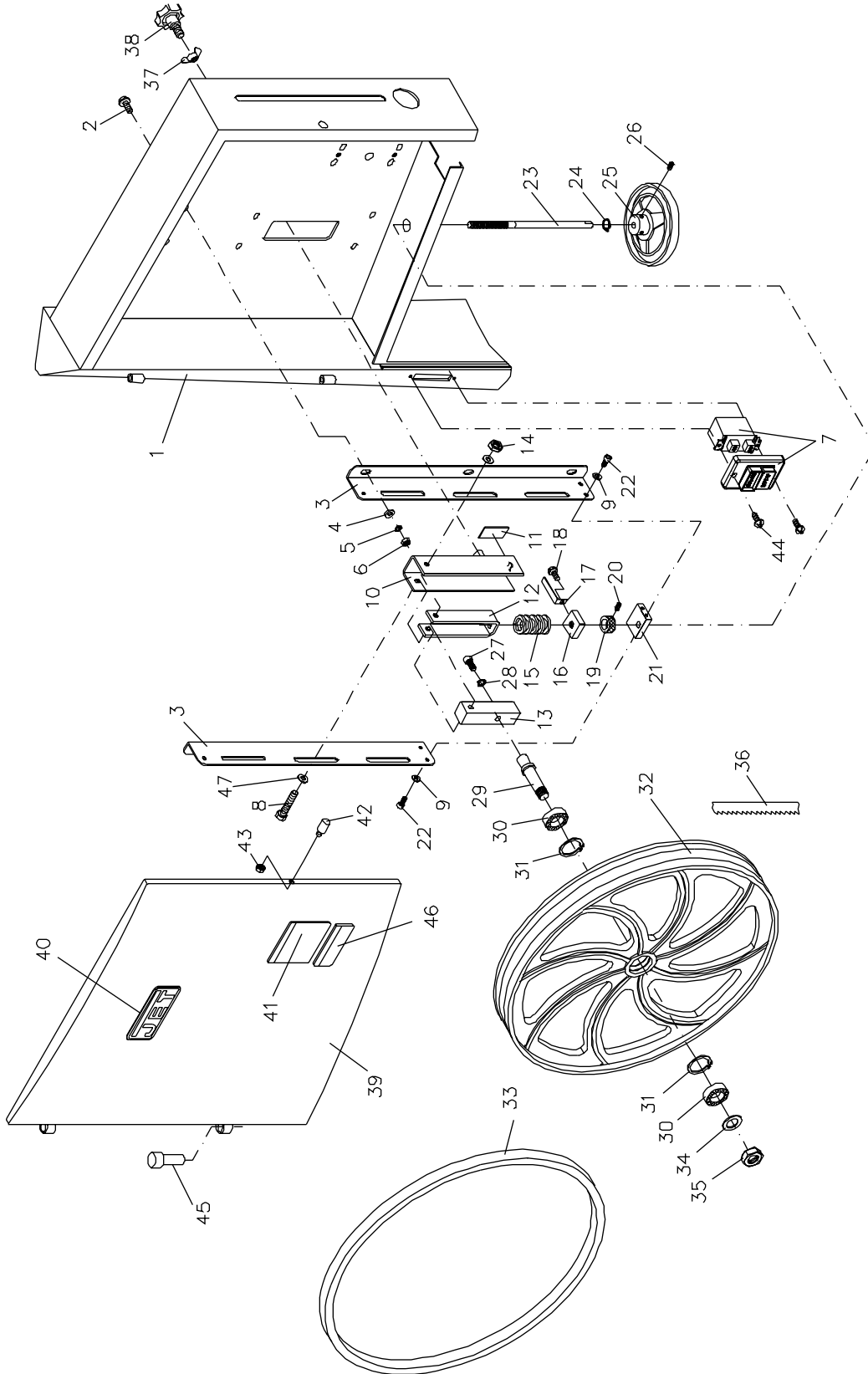


Upper Wheel Assembly

Index No.	Part No.	Description	Size	Qty
1	JWBS16B-101	Saw Body		1
2	TS-0152011	Carriage Bolt	5/16-18x1	6
3	JWBS18-103	Upper Wheel Bracket		2
4	TS-0680031	Flat Washer	5/16	6
5	TS-0720081	Lock Washer	5/16	6
6	TS-0561021	Hex Nut	5/16-18	6
7	994542	Switch		1
8	JWBS18-108	Hex Cap Bolt	M8x65	1
9	TS-0680021	Flat Washer	1/4	4
10	JWBS18-110	Sliding Bracket		1
11	JWBS18-111	Blade Tension Indicator		1
12	JWBS18-112	Adjustment Bracket		1
13	JWBS18-113	Shaft Bracket		1
14	TS-1541031	Nylon Insert Lock Nut	M8	1
15	JWBS18-115	Spring		1
16	JWBS18-116	Square Nut		1
17	JWBS18-117	Pointer		1
18	JWBS18-118	Screw	M5x8	1
19	JWBS18-119	Set Block		1
20	TS-0267021	Set Screw	1/4-20x1/4	1
21	JWBS18-121	Bracket		1
22	TS-0050021	Hex Cap Screw	1/4-20x5/8	4
23	JWBS16-123	Blade Adjusting Screw		1
24	JWBS18-124	E-Ring	E-9	1
25	JWBS18-125	Hand Wheel		1
26	TS-0267041	Socket Set Screw	1/4-20x3/8	3
27	TS-0209021	Socket Head Cap Screw	3/8-16x5/8	1
28	TS-0720091	Lock Washer	3/8	1
29	JWBS18-129	Upper Wheel Shaft		1
30	BB-6203ZZ	Ball Bearing	6203ZZ	2
31	JWBS18-131	Retaining Ring	R40	2
32	JWBS16-132	Upper Wheel		1
33	JWBS16-133	Tire		1
34	JWBS18-134	Flat Washer		1
35	JWBS18-135	Hex Nut	5/8-18UNF L.H	1
36	JWBS16B-136	Blade	3/4"W x 123"L x .026"T x 4TPI	1
37	TS-0590061	Wing Nut	5/16-18	1
38	JWBS18-138	Lock Knob	5/16	1
39	JWBS16B-139	Upper Front Door		1
40	JWBS18-140	JET Plaque		1
41	JWBS18-141	Warning Label		1
42	JWBS18-142	Bolt		1
43	TS-0561011	Hex Nut	1/4-20	1
44	TS-081C022	Pan Head Machine Screw	#10-24x3/8	2
45	JWBS18-39A	Door Hinge Pin		1
46	JWBS18DXA-163	Blade Warning Label		1
47	TS-1550061	Flat Washer	M8	2

Upper Wheel Assembly

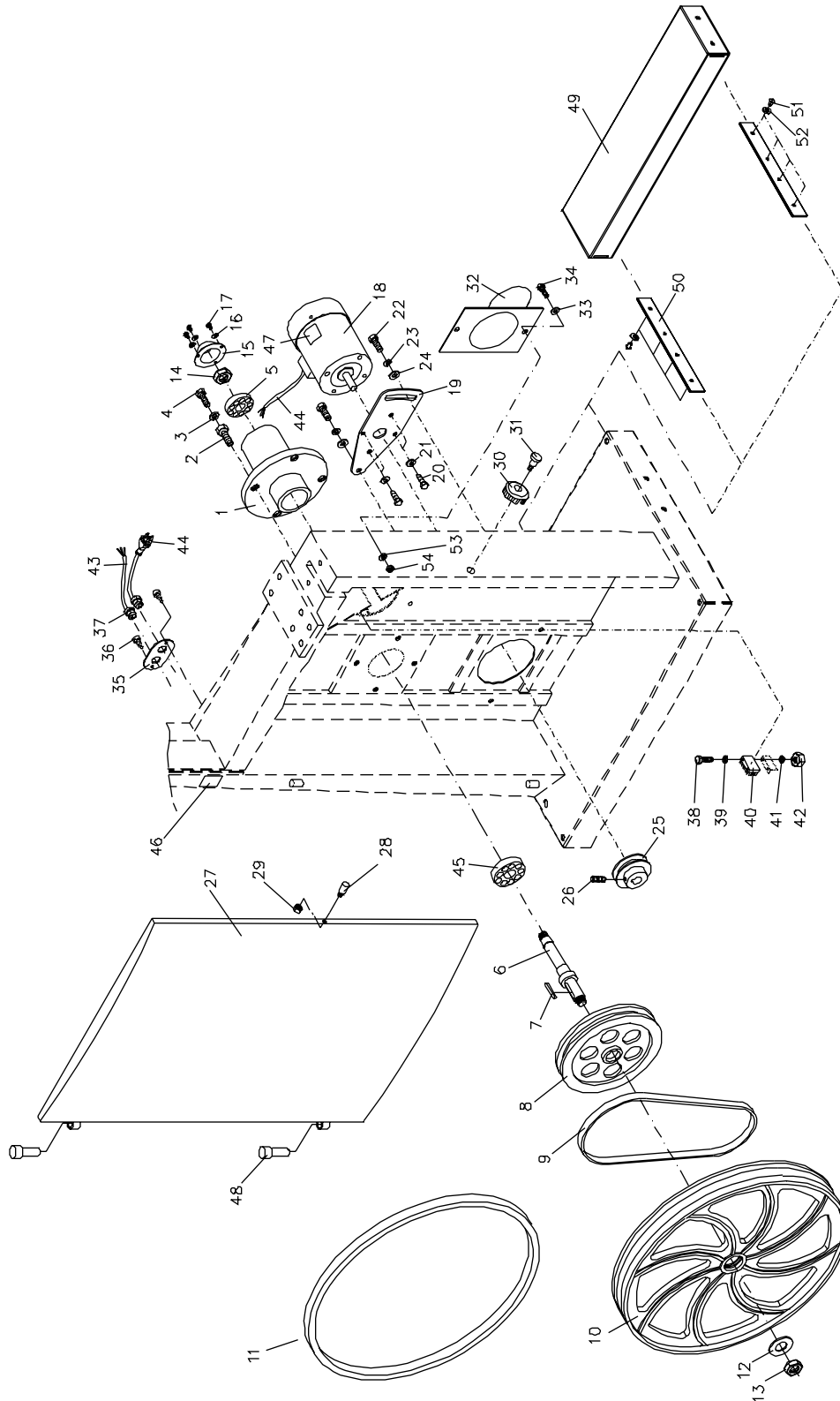


Lower Wheel and Motor Assembly

Index No.	Part No.	Description	Size	Qty
1	JWBS18-201N	Bearing Base		1
2	JWBS20-62	Adjusting Bolt		4
3	TS-0720091	Lock Washer	3/8	4
4	TS-0060081	Hex Cap Screw	3/8-16x1-3/4	4
5	BB-6204ZZ	Ball Bearing	6204ZZ	1
6	JWBS18-206N	Spindle		1
7	JWBS18-207	Key	7x7x40	1
8	JWBS18-208N	Spindle Pulley		1
9	VB-B40	V-Belt	B-40	1
10	JWBS16-210	Lower Wheel		1
11	JWBS16-133	Tire		1
12	TS-0680081	Flat Washer	5/8	1
13	JWBS18-135	Hex Nut	5/8-18UNF L.H.	1
14	JWBS18-214	Hex Nut	5/8-18UNF R.H.	1
15	JWBS18-215	Bearing Cover		1
16	TS-0720051	Lock Washer	#10	3
17	TS-081C022	Pan Head Machine Screw	#10-24x3/8	3
18	JWBS16-218	Motor		1
	JWBS16-SC	Starting Capacitor (not shown)	200MFD, 125VAC	1
	JWBS16-RC	Running Capacitor (not shown)	16µF, 250V	1
	JWBS16-SCC	Starting Capacitor Cover (not shown)		1
	JWBS16-RCC	Running Capacitor Cover (not shown)		1
	JWBS18-FAN	Fan		1
	JWBS18-CS	Centrifugal Switch (not shown)		1
	JWBS16-MFC	Motor Fan Cover (not shown)		1
19	JWBS18-219	Motor Bracket		1
20	TS-0081031	Hex Cap Screw	5/16-18x3/4	4
21	TS-0680031	Flat Washer	5/16	4
22	TS-0060051	Hex Cap Screw	3/8-16x1	2
23	TS-0720091	Lock Washer	3/8	2
24	TS-0680041	Flat Washer	3/8	2
25	JWBS16-225	Motor Pulley		1
26	TS-0270031	Socket Set Screw	5/16-18x3/8	2
27	JWBS16B-227	Lower Front Door		1
28	JWBS18-142	Bolt		1
29	TS-0561011	Hex Nut	1/4-20	1
30	JWBS20-2	Lock Knob		1
31	TS-081F052	Pan Head Machine Screw	1/4-20x3/4	1
32	JWBS20-8W	Dust Chute		1
33	TS-0680031	Flat Washer	5/16	2
34	TS-0051051	Hex Cap Screw	5/16-18x1	2
35	JWBS18-235	Plate		1
36	TS-081C032	Pan Head Machine Screw	#10-24x1/2	2
37	JWBS18-237	Strain Relief Bushing		2
38	TS-081C082	Pan Head Machine Screw	#10-24x1-1/2	2
39	TS-069204	Flat Washer	#10	2
40	JWBS18-240	Brush		1
41	TS-0720051	Lock Washer	#10	2
42	TS-0560071	Hex Nut	#10-24	2
43	JWBS18-243	Motor Cord		1
44	JWBS18-244	Power Cord		1
45	BB-6205ZZ	Ball Bearing	6205ZZ	1
46	JWBS16B-246	I.D. Label		1
48	JWBS18-39A	Door Hinge Pin		2
49	JWBS16B-249	Base Support Foot		1
50	JWBS16B-250	Support Plate		2
51	TS-0255011	Button Head Socket Screw	5/16-18x3/8	8

Lower Wheel and Motor Assembly

Index No.	Part No.	Description	Size	Qty
52	TS-0680031	Flat Washer	5/16	8
53	TS-0720081	Lock Washer	5/16	2
54	TS-0561021	Hex Nut	5/16-18	2



Blade Guides Assembly

Index No.	Part No.	Description	Size	Qty
1	TS-0051051	Hex Cap Screw	5/16-18x1	4
2	TS-0720081	Lock Washer	5/16	4
3	TS-0680031	Flat Washer	5/16	8
4	JWBS18-304	Guide Bar Bracket		1
5	JWBS18-305	Worm		1
6	JWBS18-306	E-Ring	E-8	2
7	JWBS18-307	Gear Base		1
8	JWBS18-308	Bushing		1
9	JWBS18-309	C-Ring	S-12	2
10	JWBS18-310	Shaft		1
11	JWBS18-311	Gear		1
12	TS-0208071	Socket Head Cap Screw	5/16-18x1-1/4	2
13	JWBS18-313	Lock Knob	5/16	1
14	JWBS18-314	Plate		1
15	TS-0051011	Hex Cap Screw	5/16-18x1/2	4
16	JWBS18-316	Guide Bar		1
17	JWBS16B-317	Pointer		1
18	TS-0720071	Lock Washer	1/4	5
19	TS-0050011	Hex Cap Screw	1/4-20x1/2	1
20	JWBS18-320	Guide Bracket		1
21	TS-0207021	Socket Head Cap Screw	1/4-20x1/2	11
22	JWBS18-322	Blade Guard		1
23	TS-0720111	Lock Washer	1/2	1
24	TS-0561051	Hex Nut	1/2-13	1
25	JWBS20-110	Locking Shaft		1
26	JWBS20-115	Upper Guide Bracket		1
27	JWBS20-114	Guide Wheel Assembly		2
28	JWBS20-113	Blade Support Shaft w/ Bearing		2
29	JWBS18DXA-353	Wing Screw	1/4-20x1/2	4
30	TS-0270031	Socket Set Screw	5/16-18x3/8	2
31	JWBS20-2	Lock Knob		1
32	TS-081F052	Pan Head Machine Screw	1/4-20x3/4	1
33	JWBS18-333	Hand Wheel		1
34	TS-0267041	Socket Set Screw	1/4-20x3/8	1
35	JWBS20-103A	Handle		1
36	JWBS16B-336	Cutting Height Scale		1
37	JWBS20-120	Lower Guide Bracket		1
38	JWBS18-338	Lower Guide Wheel Housing		2
39	JWBS18-339	Lower Guide Wheel Assembly		2
40	TS-0207031	Socket Head Cap Screw	1/4-20x5/8	2
41	TS-0680021	Flat Washer	1/4	4
42	JWBS18-342	Lower Blade Guard		1
43	TS-0254021	Button Head Socket Screw	1/4-20x1/2	2

Blade Guides Assembly

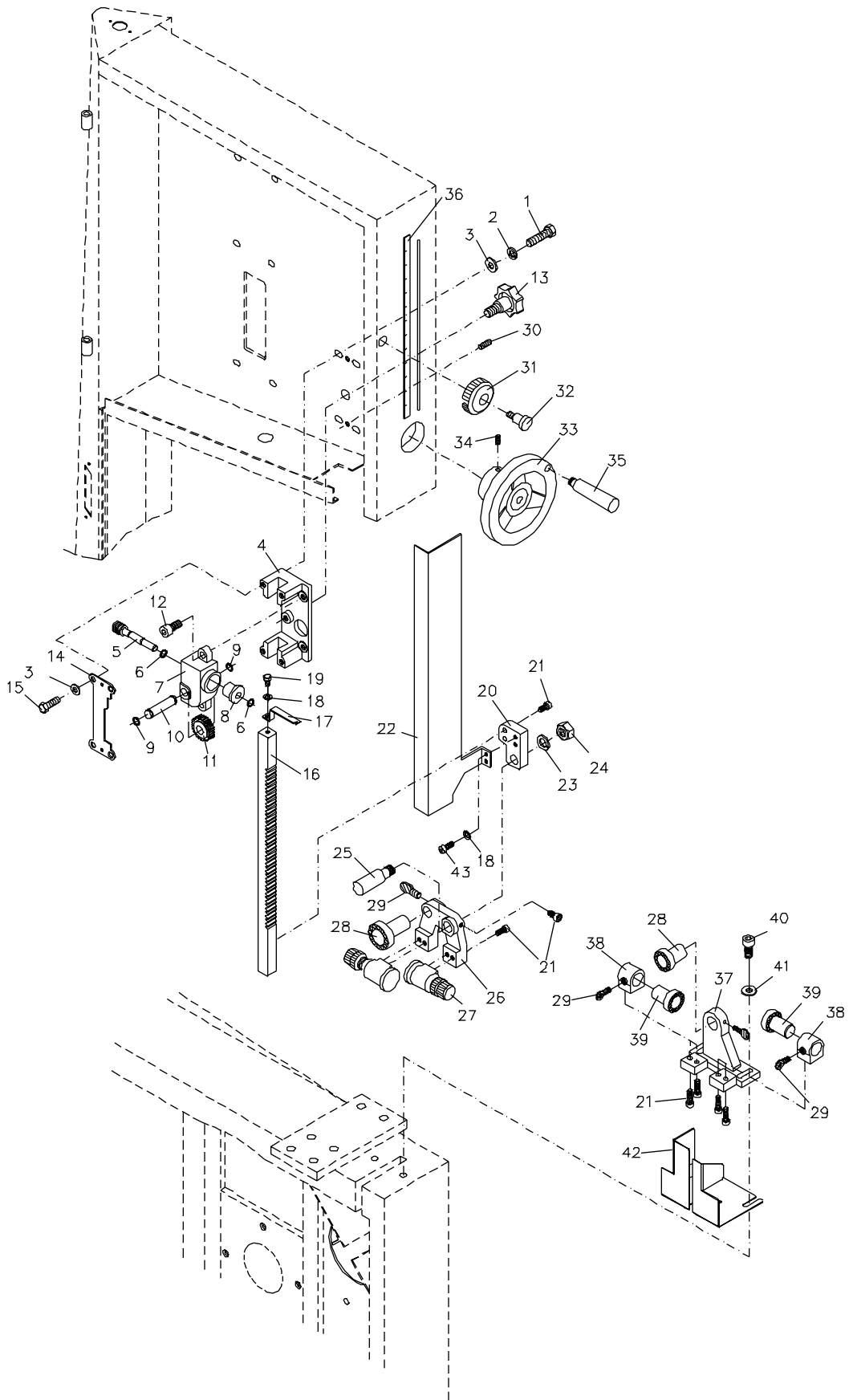
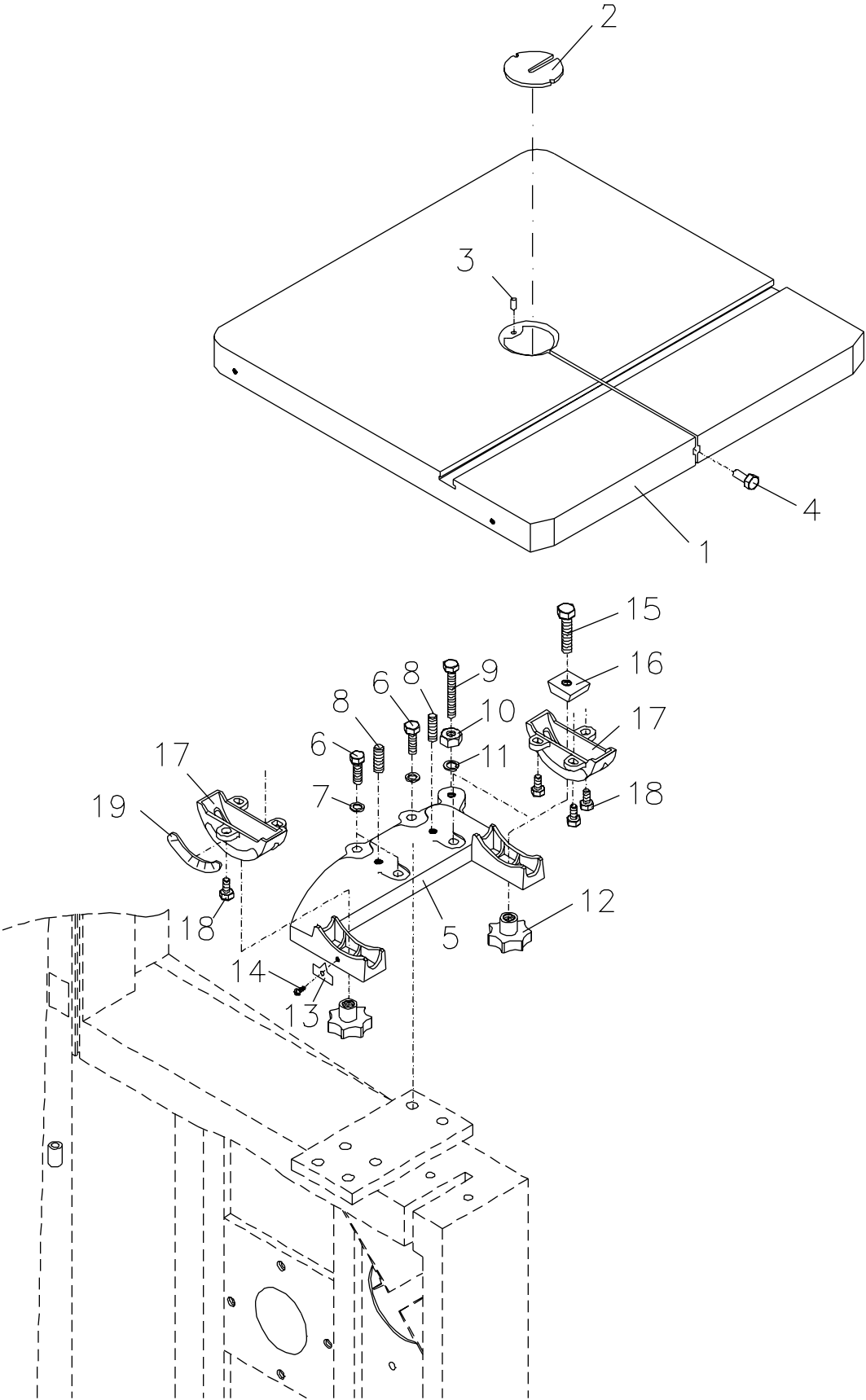


Table Assembly

Index No.	Part No.	Description	Size	Qty
1	JWBS16-401	Table		1
2	JWBS20-144	Table Insert		1
3	JWBS20-145	Roll Pin	Ø3x10	1
4	JWBS18-448	Table Pin		1
5	JWBS18-408N	Trunnion Support Bracket		1
6	TS-0051071	Hex Cap Screw	5/16-18x1-1/2	4
7	TS-0720081	Lock Washer	5/16	4
8	TS-0270061	Set Screw	5/16-18x5/8	2
9	TS-0060111	Hex Cap Screw	3/8-16x2-1/2	1
10	TS-0561031	Hex Nut	3/8	1
11	TS-0720091	Lock Washer	3/8	1
12	JWBS18-415	Lock Knob		2
13	JWBS18-446	Pointer		1
14	JWBS18-447	Screw	M5x8	1
15	TS-1491081	Hex Cap Screw	M10x50	2
16	JWBS18-417	Trunnion Clamp Shoe		2
17	JWBS18-416	Trunnion		2
18	TS-1482021	Hex Cap Screw	M6x12	6
19	JWBS18-420	Scale		1

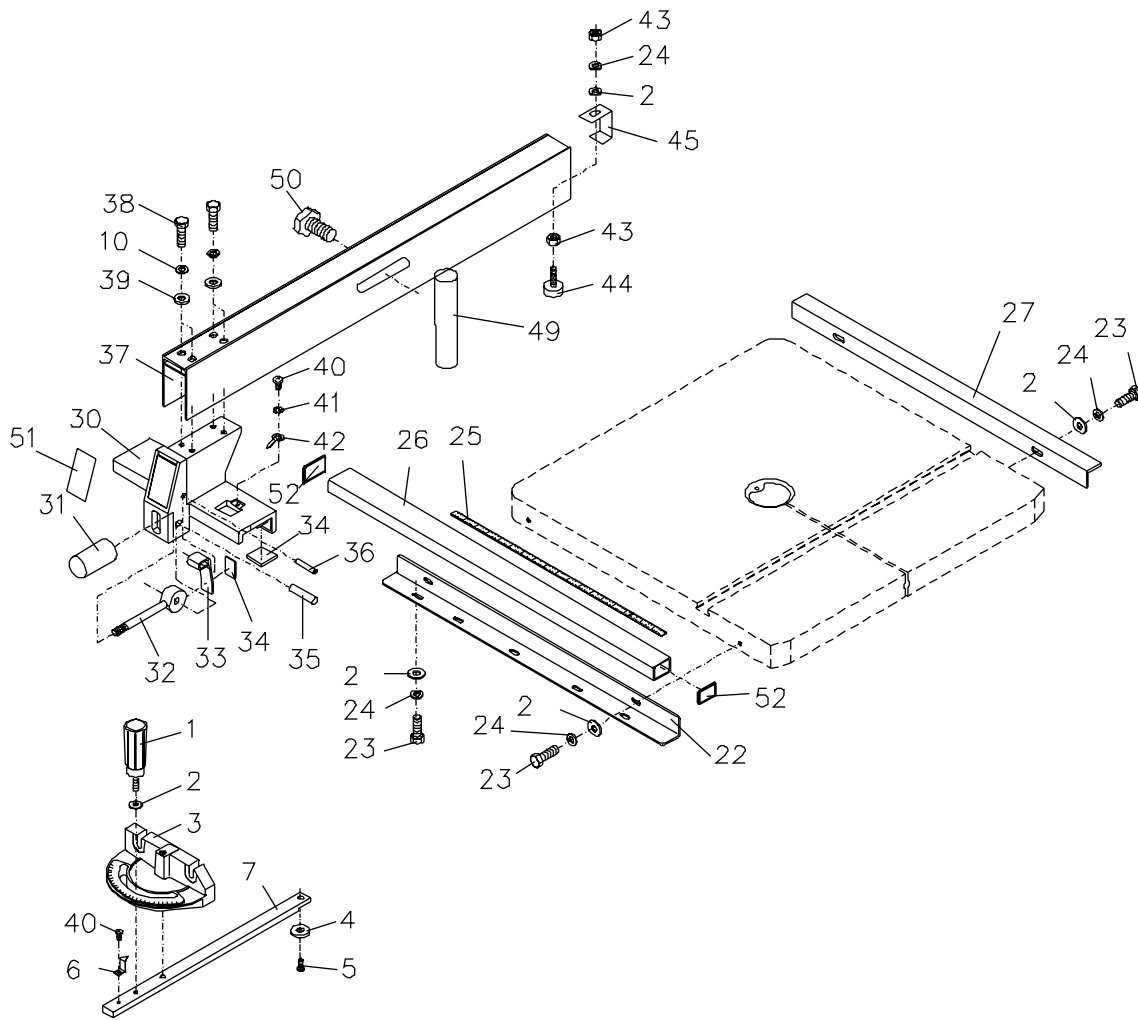
Table Assembly



Fence & Miter Assembly (optional accessory)

Index No.	Part No.	Description	Size	Qty
1	JWBS18-401	Lock Knob		1
2	TS-0680021	Flat Washer	1/4	11
3	JWBS18-403	Miter Gauge Body		1
4	200156	Guide Disc		1
5	JWBS18-405	Screw	M6x8	1
6	JWBS18-406	Pointer		1
7	JWBS18-407	Guide Bar		1
10	TS-0720081	Lock Washer	5/16	4
22	JWBS18-422W	Front Rail		1
23	TS-0050021	Hex Cap Screw	1/4-20x5/8	9
24	TS-0720071	Lock Washer	1/4	10
25	JWBS18-425	Scale		1
26	JWBS18-426W	Guide Rail		1
27	JWBS18-427W	Rear Rail		1
30	JWBS18-430	Fence Body		1
31	JWBS18-431	Knob		1
32	JWBS18-432	Lock Handle		1
33	JWBS18-433W	Lock Plate		1
34	JWBS18-434	Pad		5
35	JWBS18-435	Pin		1
36	JWBS18-436	Pin		1
37	JWBS16-437	Fence		1
38	TS-0081031	Hex Cap Screw	5/16-18x3/4	4
39	TS-0680031	Flat Washer	5/16	4
40	TS-0810012	Screw	#10-24x1/4	2
41	TS-0733031	External Tooth Lock Washer	#10	1
42	JWBS18-442	Pointer		1
43	TS-0561011	Hex Nut	1/4-20	2
44	JWBS18-444	Sliding Pad		1
45	JWBS18-445	Rear Hook		1
49	JWBS18-449	Resaw Post		1
50	JWBS18-450	Knob		1
51	JWBS18-451	JET Fence Label		1
52	JWBS20-455	End Cover		2
	JWBS18-MGCP	Miter Gauge Assembly		
	JWBS16-FCP	Fence Assembly Complete (contains fence, rails, resaw post and hardware bag)		

Fence & Miter Assembly (optional accessory)



Wiring Diagram

