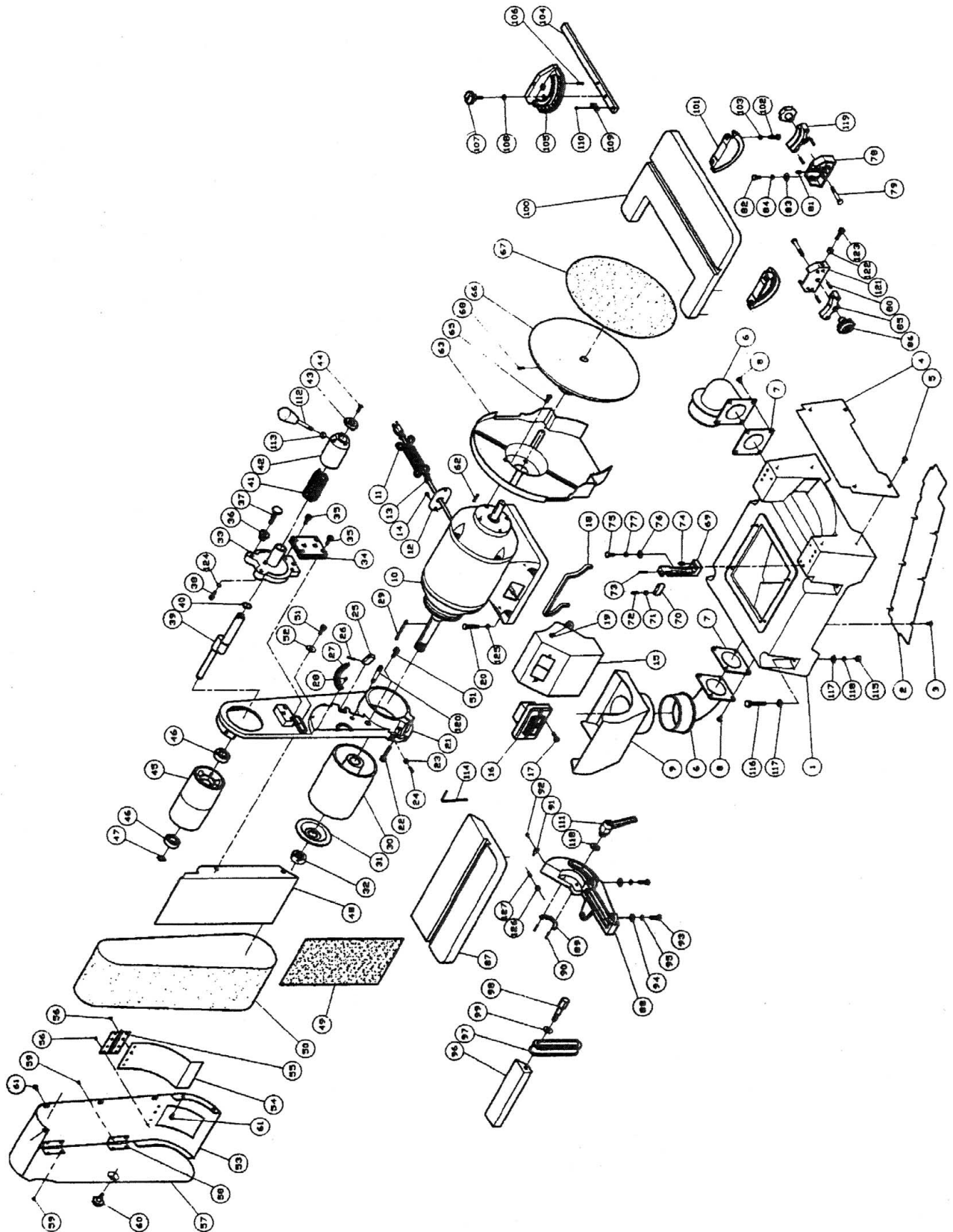


# JSG-6DC Belt/Disc Sander Assembly



## Parts List for JSG-6DC Belt/Disc Sander Assembly

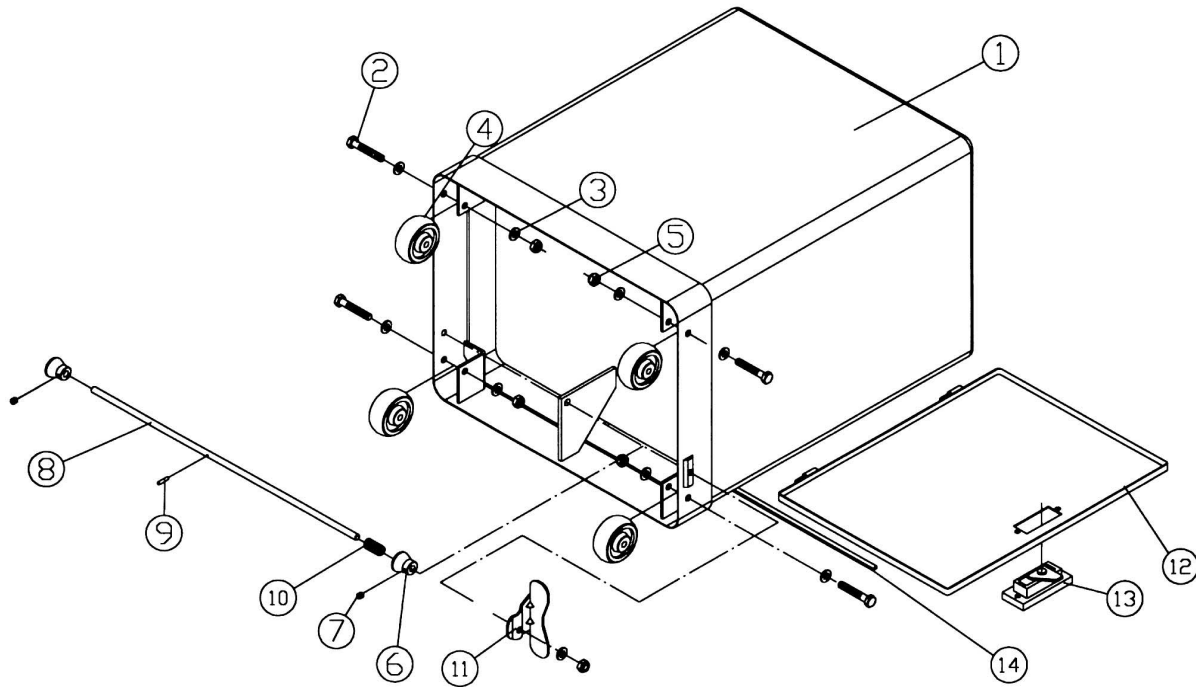
Index No.	Part No.	Description	Size	Qty
1	612001W	Base		1
2	612002W	Base Plate		1
3	SF069300	Pan Head Screw (w/flange)	M6x12	6
4	612003W	Front Plate		1
5	SF069300	Pan Head Screw (w/flange)	M6x12	4
6	612004W	Dust Tube		2
7	612005	Gasket		2
8	SF069300	Pan Head Screw (w/flange)	M6x12	8
9	612006W	Dust Hood		1
10	MA150001W	Motor		1
	990019	Centrifugal Switch		1
	991500	Start Capacitor	500MFD, 125VAC	1
	991050	Run Capacitor	50MFD, 250VAC	1
11	CC324101	Power Cord		1
12	150508	Strain Relief Plate		1
13	998623	Strain Relief		1
14	SF059100	Pan Head Screw (w/flange)	M5x6	2
15	612007	Switch Box		1
16	994503	Switch		1
17	ST040400	Tapping Screw	M4x20	2
18	612008	Pad		1
19	SF059100	Pan Head Screw (w/flange)	M5x12	2
20	SR080700	Hex Socket Cap Screw	M8x35	4
21	612009W	Bracket		1
22	SR080700	Hex Socket Cap Screw	M8x35	1
23	NH061000	Nut	M6	1
24	SS060600	Set Screw	M6x30	1
25	610010	Stop Block		1
26	PS054500	Spring Pin	5x45 mm	1
27	612011	Scale		1
28	VS020500	Rivet	M2x5	3
29	KD050560	Key	5x5x60 mm	1
30	612012	Drive Roller		1
31	612013	Flange		1
32	NH243600	Nut	M24	1
33	612014	Eccentric Shaft Bracket		1
34	612015	Spring Plate		3
35	SR109400	Hex Socket Cap Screw	M10x16	6
36	612016	Nut		2
37	612017	Adjusting Screw		2
38	SR069200	Hex Socket Cap Screw	M6x8	1
39	612018	Eccentric Shaft		1
40	RS200000	Retaining Ring	S20	1
41	612019	Spring		1
42	612020	Eccentric Shaft Bushing		1
43	612021	Locating Block		1
44	SM0606400	Countersunk Head Bolt	M6x20	1
45	612022	Follow Roller		1
46	BB-6202LLU	Ball Bearing	6202LLU	2
47	RS150000	Retaining Ring		1
48	612023W	Sanding Platen		1
49	612024	Sanding Belt Pad		1
50		Sanding Belt (local purchase)		1
51	SR100700	Hex Socket Cap Screw	M10x35	2
52	WF102830	Flat Washer	M10	1
53	612026W	Sanding Belt Guard		1
54	612027W	Outlet Guard		1

55	612028	Hinge		1
56	TS049200	Tapping Screw	M4x8	8
57	612029W	Access Door		1
58	612030	Hinge		2
59	ST049200	Tapping Screw	M4x8	8
60	612031	Lock Knob		1
61	SF069300	Pan Head Screw (w/flange)	M6x12	6
62	KD050525	Key	5x5x25 mm	1
63	612032W	Disc Guard		1
65	SP080400	Pan Head Screw	M8x20	4
66	612033	Sanding Disc		1
67		Disc Abrasive (local purchase)		1
68	SS060200	Set Screw	M6x10	2
69	612035	Table Bracket		1
70	612010	Stop Block		1
71	NH061000	Nut	M6	1
72	SS060500	Set Screw	M6x25	1
73	PS052500	Spring Pin	5x25 mm	1
74	150031	Pin		1
75	SH080500	Hex Cap Bolt	M8x25	1
76	WF081818	Flat Washer	M8	1
77	WS080000	Lock Washer	M8	1
78	612037	Table Bracket		1
79	SH080800	Hex Cap Bolt	M8x40	2
80	PS063000	Spring Pin	6x30 mm	4
81	150031	Pin		2
82	SH089400	Hex Cap Bolt	M8x16	4
83	WF081818	Flat Washer	M8	4
84	WS080000	Lock Washer	M8x	4
85	612038	Trunnion Bracket		1
86	990551	Knob		2
87	612039W	Sanding Table		1
88	612040W	Trunnion		1
89	612041	Sliding Plate		1
90	PS041200	Spring Pin	4x12 mm	2
91	612056	Pointer		1
92	SF059100	Pan Head Screw (w/flange)	M5x6	1
93	SH080400	Hex Cap Bolt	M8x20	3
94	WF081818	Flat Washer	M8	3
95	WS080000	Lock Washer	M8	3
	AA612042	Workstop Assembly CP		1
96	612042W	Fence		1
97	612043W	Support Arm		1
98	612044	Stud		1
99	WF102825	Flat Washer	M10	1
100	612045W	Table		1
101	612046	Trunnion		2
102	SH089400	Hex Cap Bolt	M8x16	4
103	WS080000	Lock Washer	M8	4
	AA150401	Miter Gauger Assembly CP		1
104	150401	Guide Bar		1
105	199083	Gauge Body		1
106	PS051200	Spring Pin	5x12 mm	1
107	612036	Knob		1
108	150406	Gasket		1
109	150402	Pointer		1
110	SP550200	Pan Head Screw	3/16" x 1/4"	1
111	612047	Lock Knob Assembly		1
112	612048	Handle		1
113	NH081300	Nut	M8	1
114	TS-1527071	Hex Wrench	6mm	1

115	NH101700	Nut *	M10	4
116	SH101600	Hex Cap Bolt *	M10x80	4
117	WF102825	Flat Washer	M10	9
118	WS100000	Lock Washer *	M10	4
119	612052	Trunnion Holder		1
120	612053	Stud		1
121	612054	Table Bracket		1
122	NH081300	Nut	M8	1
123	SR080500	Hex Socket Cap Screw	M8x25	1
124	WS060000	Lock Washer	M6	1
125	WS080000	Lock Washer	M8	4
126	NH061000	Nut	M6	2
127	SS060600	Set Screw	M6x30	2

\* Items included in AH612J1 Hardware Kit

## Closed Stand Assembly (Optional)

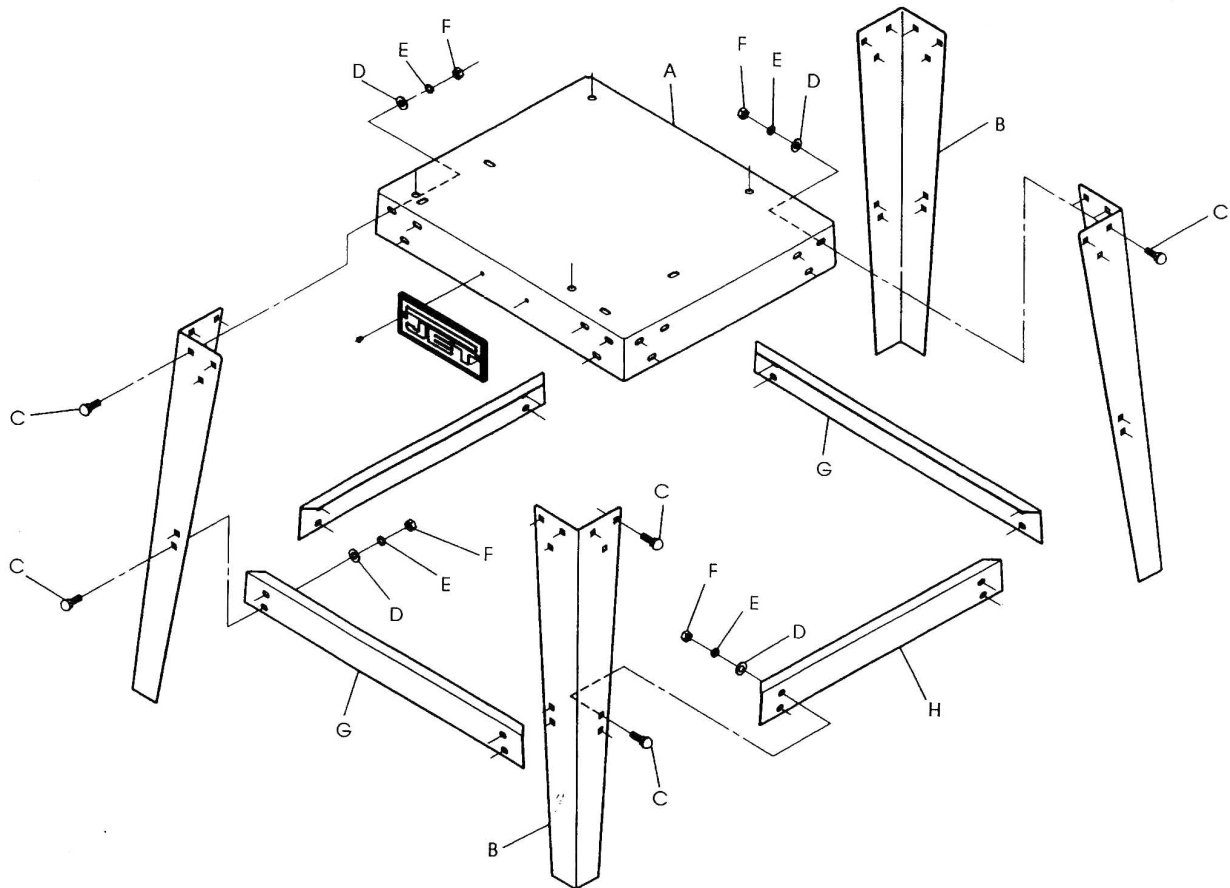


Index No.	Part No.	Description	Size	Qty
	708598	Closed Stand Assembly Complete		1
1	AB612062	Closed Stand		1
2	TS-0060111	Hex Cap Screw	3/8" x 2-1/2"	4
3	TS-1550071	Flat Washer	M10 x 20	9
4	150105	Wheel		4
5	TS-0640091	Nyloc Lock Nut	3/8"	5
6	150103	Stop		2
7	TS-1523031	Set Screw	M6 x 10	2
8	612063	Stop Shaft		1
9	PS042400	Spring Pin	4 x 24 mm	1
10	150106	Spring		1
11	150104	Step Plate		1
12	145002	Door		1
13	150503	Lock		1
14	150527	Pad		2

### Hardware used to attach the Sander to the Closed Stand

	AH612J1	Hardware Bag ( <i>contains the items below</i> )		1
	TS-229801	Hex Cap Screw (not shown)	M10 x 1.5 x 80	4
	TS-1550071	Flat Washer (not shown)	M10	8
	TS-1551071	Lock Washer (not shown)	M10	4
	TS-1540077	Hex Nut (not shown)	M10 x 1.5	4

## Open Stand Assembly (Optional)

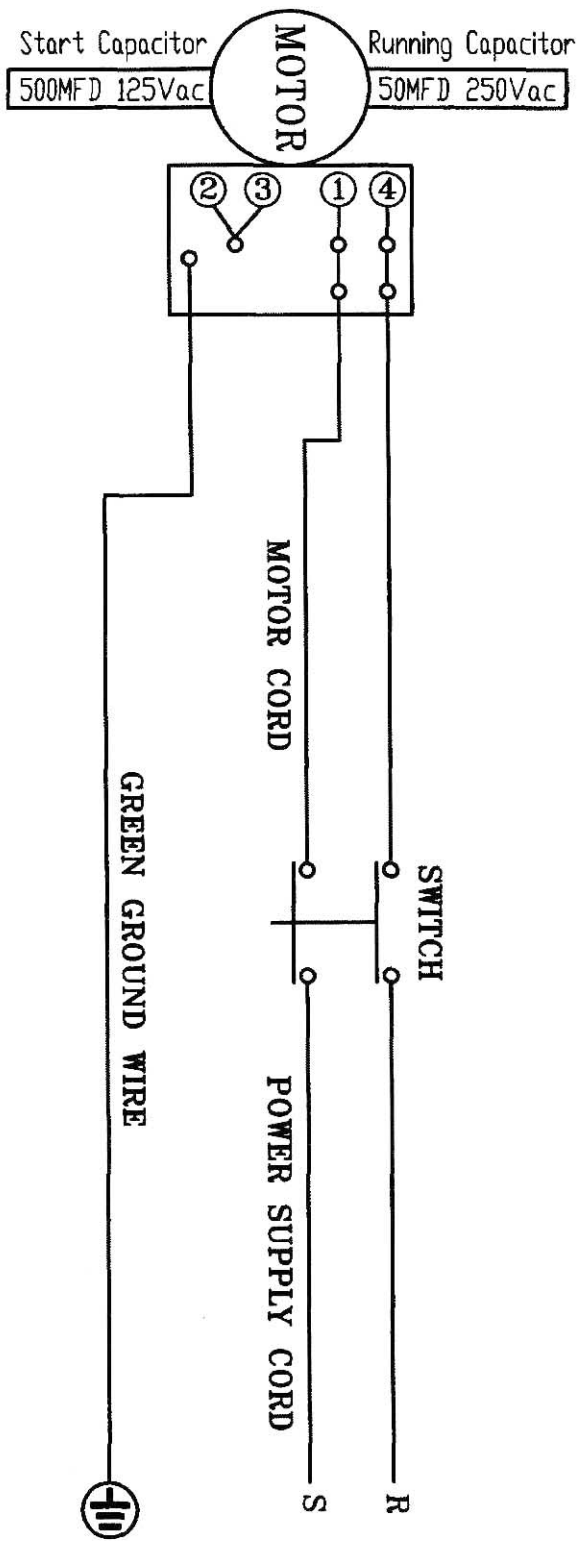


## Parts List for Open Stand Assembly (Optional)

Index No.	Part No.	Description	Size	Qty
.....	708566	Open Stand Assembly Complete		1
A	612049	Stand Top (blue)		1
.....	612049W	Stand Top (white)		1
B	150603	Stand Leg (blue)		4
.....	150603W	Stand Leg (white)		4
C	SC089400	Carriage Bolt *	M8 x 16	40
D	WF081818	Flat Washer *	M8	40
E	WS080000	Lock Washer *	M8	40
F	NH081300	Hex Nut *	M8	40
G	612051	Cross Brace – short (blue)		2
.....	612501W	Cross Brace – short (white)		2
H	612050	Cross Brace – long (blue)		2
.....	612050W	Cross Brace – long (white)		2
.....	AB612101	Hardware Bag (includes items marked with *)		1

# Electrical Connections

## 230V



## 115V

