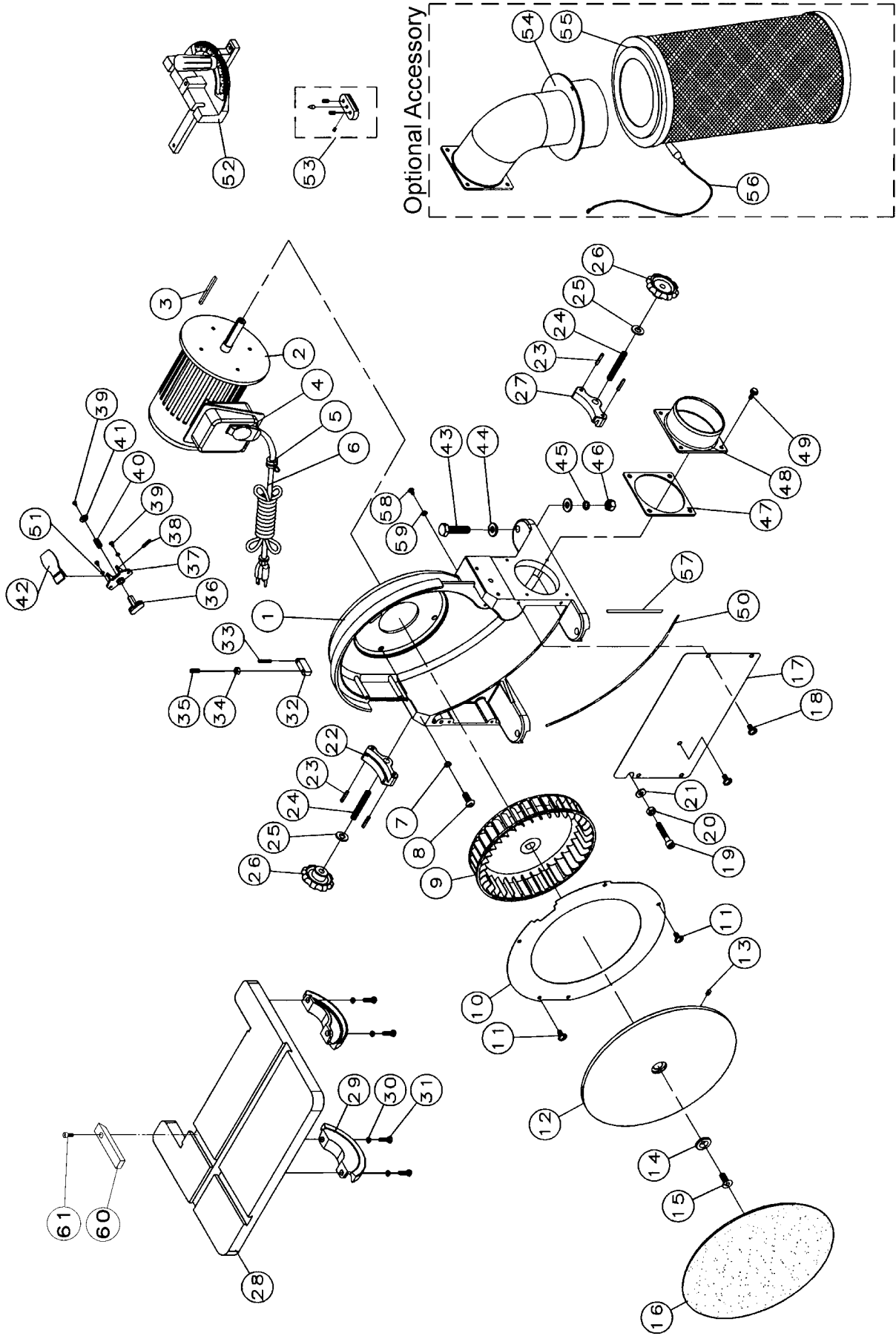


# Disc Sander Breakdown



## Parts List For The JDS-12B Benchtop Disc Sander

### Disc Sander

Index No.	Part No.	Description	Size	Qty
1	612131	Guard Base		1
2	MH612001	Motor	1 HP, 1Ph 110V/220V	1
	JDS12B-MFC	Motor Fan Cover (not shown)		1
	JDS12B-MF	Motor Fan (not shown)		1
	JDS12B-CS	Centrifugal Switch (not shown)		1
	JDS12B-CC	Capacitor Cover (not shown)		1
	JDS12B-JBC	Junction Box Cover (not shown)		1
	JDS12B-SC	Starting Capacitor (not shown)	200MFD, 125VAC	1
	JDS12B-RC	Running Capacitor (not shown)	10uF, 250V	1
3	KS050565	Key	5x5x65	1
4	994534	On/Off Switch		1
5	998621	Strain Relief		1
6	IC100001	Power Cord		1
7	TS-1551071	Spring Washer	M8	4
8	SJ080400	Pan Head Socket Bolt	M8x20	4
9	612132	Fan Blade	9"	1
10	612133	Partition		1
11	SF069200	Pan Head Bolt w/Flange	M6x8	5
12	612134	Sanding Disc		1
13	SS060200	Set Screw	M6x8	1
14	612113	Washer		1
15	SM089400	Countersunk Head Bolt	M8x16	1
16	57698525	12" Disc Sanding Paper 36 Grit		25
	57698650	12" Disc Sanding Paper 50 Grit		50
	57698750	12" Disc Sanding Paper 60 Grit		50
	57698850	12" Disc Sanding Paper 80 Grit		50
	57698950	12" Disc Sanding Paper 100 Grit		50
	57699050	12" Disc Sanding Paper 120 Grit		50
17	612136	Front Cover		1
18	SF069200	Pan Head Bolt w/Flange	M6x8	5
19	TS-1504071	Socket Head Cap Screw	M8x35	1
20	TS-1540061	Hex Nut	M8	1
21	TS-1550061	Flat Washer	M8x18	1
22	612038	Trunnion Holder (A)		1
23	PS062600	Spring Pin	6x26	4
24	SS081200	Set Screw	M8x60	2
25	TS-1550061	Flat Washer	M8x18	2
26	612098	Knob	M8	2
27	612052	Trunnion Holder (B)		1
28	612135	Table		1
29	612046	Trunnion		2
30	TS-1551061	Lock Washer	M8	4
31	TS-1490021	Hex Head Bolt	M8x16	4
32	612010	Locating Block		1
33	PS053600	Spring Pin	5x36	1
34	TS-1540041	Hex Nut	M6	1
35	TS-1523071	Set Screw	M6x25	1
36	612116	Brake		1
37	612118	Brake Fixed Base		1
38	PS042600	Spring Pin	4x26	1
39	SP040200	Pan Head Bolt	M4x10	3

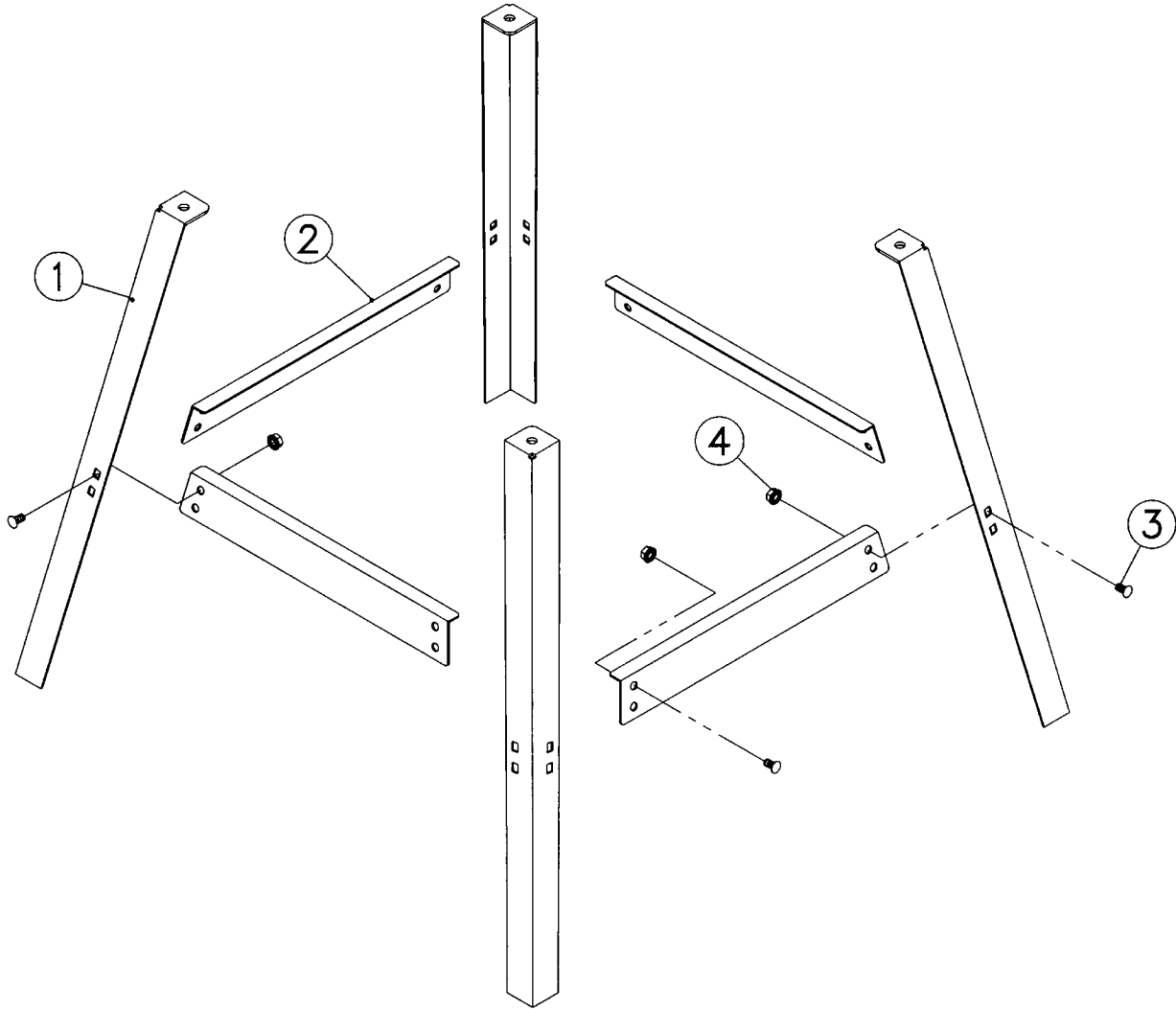
Index No.	Part No.	Description	Size	Qty
40	612140	Spring		1
41	WF051210	Flat Washer	M5x12	1
42	612115	Stop Handle		1
43	TS-1491061	Hex Head Bolt	M10x40	4
44	TS-1550071	Flat Washer	M10x20	8
45	TS-1551071	Lock Washer	M10	4
46	TS-1540072	Hex Nut	M10	4
47	612137	Packing		1
48	612145	Inlet	4"	1
49	TS-1482031	Hex Head Bolt	M6x16	4
50	612099	Sponge		1
51	TS-1551021	Lock Washer	M4	2
52	AB198101	Miter Gauge Assembly		1
53	AB612143	Circle Gauge Assembly (ASM)		1
57	612117	Sponge Gasket		1
58	SP059200	Pan Head Bolt	M5x8	1
59	WE050000	Star Washer	M5	1
60	612171	Filler Bar		1
61	TS-1502011	Socket Head Cap Screw	M5x8	1

*	JDS12B-HK	Hardware Kit (not shown)		
	JDS12B-WL	Warning Label (not shown)		
	JDS12B-ID	I.D. Label (not shown)		
	JDS12B-JL	JET Label (not shown)		

#### Optional Accessory

54	612147	Elbow		1
55	331022	Filter		1
56	331033	Grounding Clip		1

### Open Stand Breakdown (optional accessory)



### JDS-12B Stand Assembly (optional accessory)

Index No.	Part No.	Description	Size	Qty.
1	612141	Stand Leg		4
2	612142	Stand Support		4
3	SC089400	Carriage Bolt	M8x16	16
4	NF081300	Flange Lock Nut	M8	16
*	OS12DS-HK	Hardware Kit (not shown)		

# Wiring Diagram

