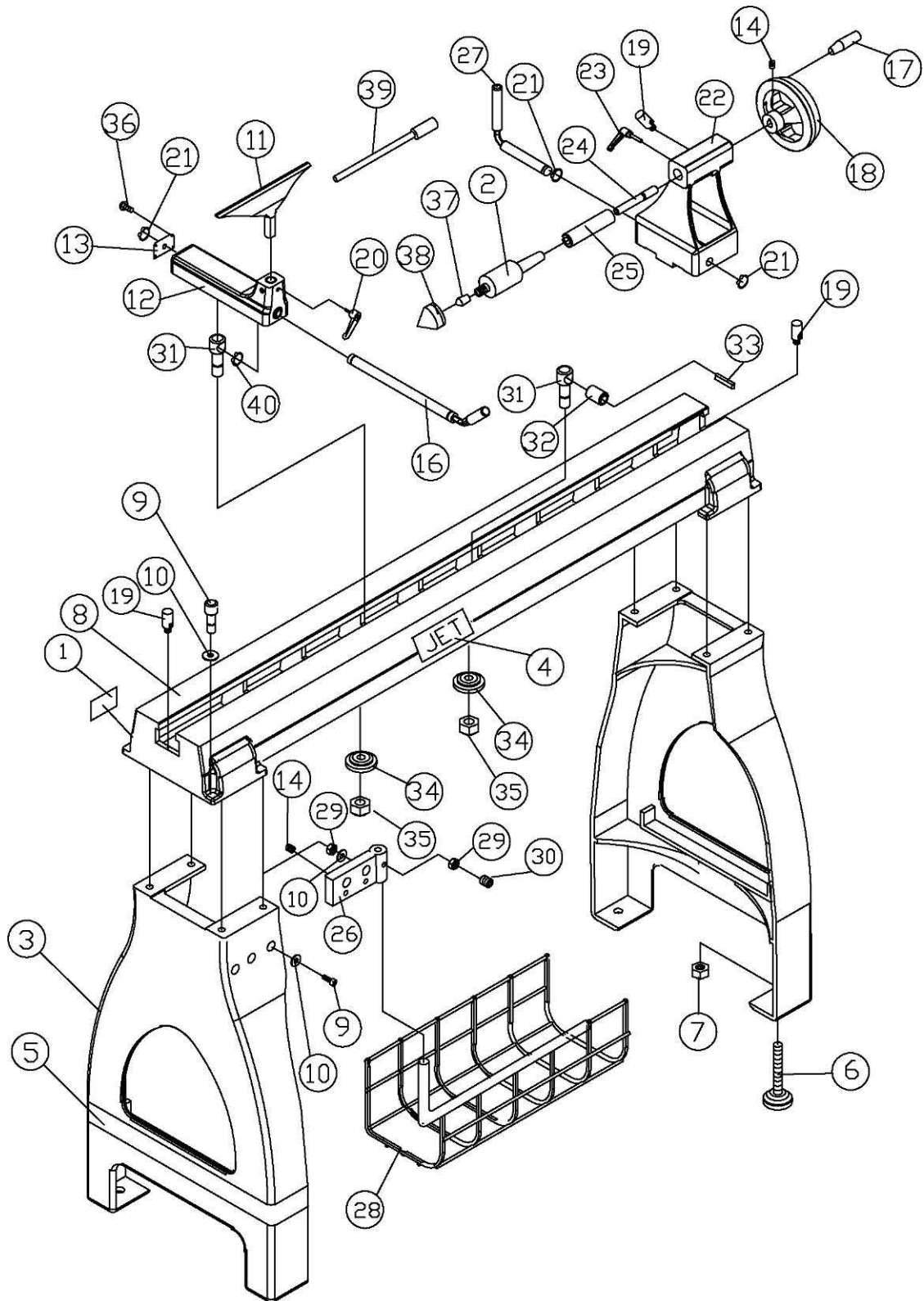


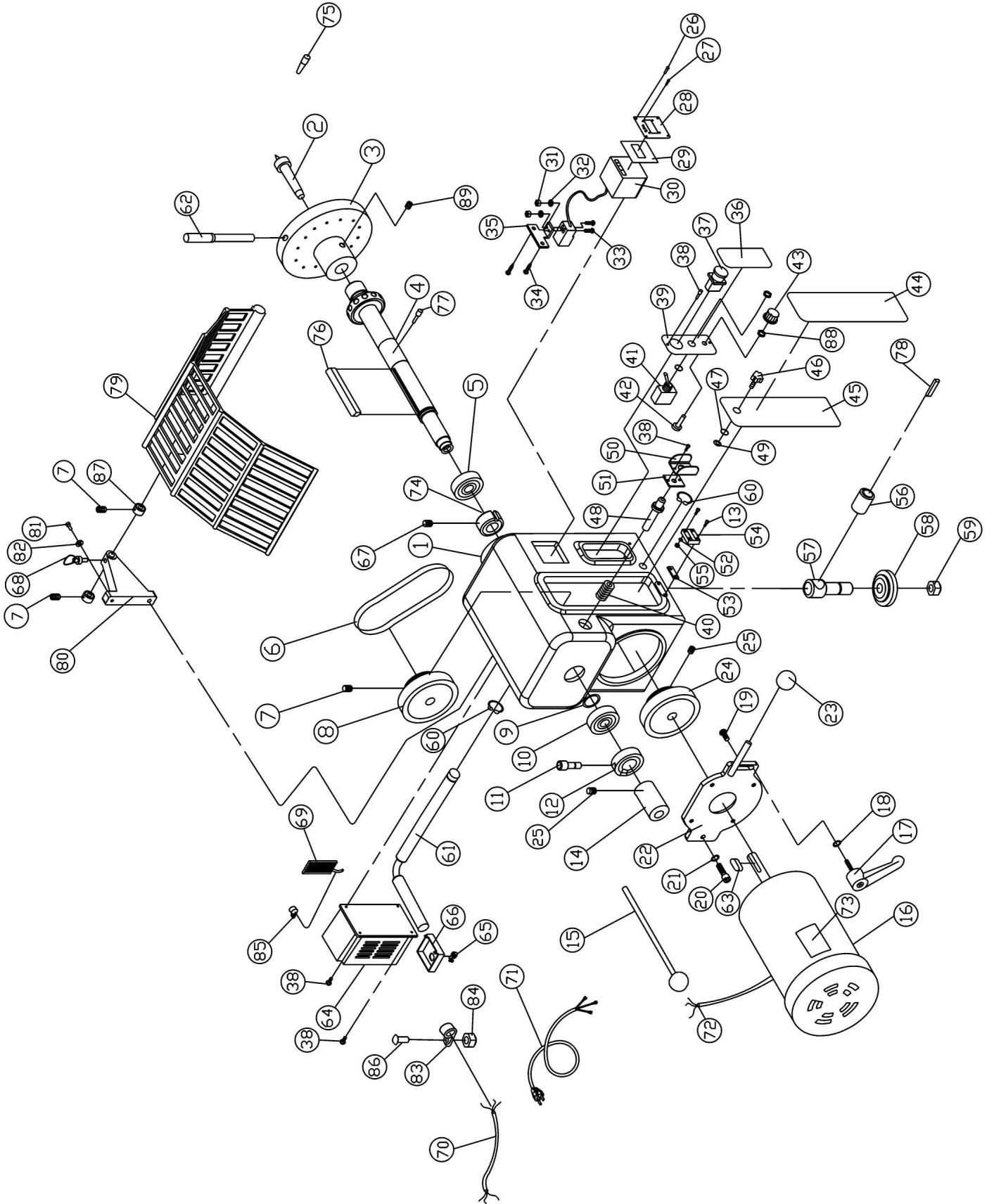
Stand and Bed Assembly



Stand and Bed Assembly

Index No.	Part No.	Description	Size	Qty.
1	JWL1642-201	I.D. Label	JWL-1642EVS	1
	JWL-1642-201A	I.D. Label	JWL-1642EVS-2	1
2	JWL1642-202	Live Center	MT2	1
3	JWL1642-203	Stand		2
4	JWL1442-219	JET Label		1
5	JWL1642-205	JET Stripe		1
6	JWL1642-206	Adjustable Foot	3/8"	4
7	TS-0561031	Hex Nut	3/8"	4
8	JWL1442-201	Bed		1
9	TS-0208081	Hex Socket Cap Screw	5/16"-18 x 1-1/2"	10
10	TS-0680032	Flat Washer	5/16"	12
11	JWL1642-211	Tool Rest		1
12	JWL1442-207	Tool Rest Base		1
13	JWL1442-208	End Cover		1
14	TS-0267021	Set Screw	1/4"-20 x 1/4"	6
15	JWL1442-129	Support Bracket		1
16	JWL1442-210A	Tool Support Rod		1
17	JWL1442-211	Handle		1
18	JWL1442-212	Handwheel		1
19	JWL1442-202	Stud		3
20	JWL1442-206	Tool Support Handle	3/8"	1
21	JWL1442-124	C-Ring	S19	3
22	JWL1642-222	Tailstock		1
23	JWL1442-218	Tailstock Quill Handle	5/16"	1
24	JWL1442-214	Lead Screw		1
25	JWL1442-215	Quill		1
26	JWL1642-226	Bracket		1
27	JWL1442-217	Tailstock Rod		1
28	JWL1642-228	Storage Basket		1
29	TS-0570021	Hex Nut	5/16"	3
30	TS-0270061	Set Screw	5/16"-18 x 5/8"	1
31	JWL1442-128	Clamp Bolt		2
32	JWL1442-127	Bushing		1
33	JWL1442-126	Key	5 x 5 x 30	1
34	JWL1442-154	Clamp		2
35	TS-0561081	Hex Nut	3/4"-10	2
36	TS-0206011	Hex Socket Cap Screw	#10-24 x 3/8"	4
37	JWL1642-237	Tip		1
38	JWL1642-238	Cap		1
39	JWL1642-239	Knockout Rod		1
40	JWL1442-228	C-Ring	S25	1
	JWL1642-TCA	Tailstock Complete Assembly (not shown)		1
	JWL1642-TRCA	Tool Rest Complete Assembly (not shown)		1

Headstock Assembly



Headstock Assembly

Index No.	Part No.	Description	Size	Qty.
1	JWL1642-101	Headstock		1
2	JWL1642-102	Spur Center	MT2	1
3	JWL1642-103	Face Plate	6"	1
4	JWL1642-104	Spindle		1
5	BB-6207ZZ	Ball Bearing	6207ZZ	1
6	VB-180J	Poly-V Belt	180J	1
7	TS-0270011	Set Screw	5/16"-18 x 1/4"	4
8	JWL1642-108	Spindle Pulley		1
9	JWL1642-109	Wave Washer	ø49	1
10	BB-6205ZZ	Ball Bearing	6205ZZ	1
11	TS-0207041	Hex Socket Cap Screw	1/4"-20 x 3/4"	1
12	JWL1642-112	Lock Nut	M22	1
13	TS-0207021	Hex Socket Cap Screw	1/4"-20 x 5/8"	4
14	JWL1642-114	Hand Wheel		1
15	JWL1442-164	Knockout Rod		1
16	JWL1642-116	Motor	1.5 HP	1
	JWL1642-116A	Motor	2 HP	1
	JWL1642-MFC	Motor Fan Cover (not shown)		1
	JWL1642-MF	Motor Fan (not shown)		1
17	JWL1642-117	Handle	3/8"-16 x 1"	1
18	TS-0680042	Flat Washer	3/8"	1
19	TS-228820	Flat Head Screw	M8 x 20	4
20	TS-0209051	Hex Socket Cap Screw	3/8"-16 x 1"	1
21	TS-0720091	Lock Washer	3/8"	1
22	JWL1642-122	Motor Assembly Plate		1
23	JWL1642-123	Knob		1
24	JWL1642-124	Motor Pulley		1
25	TS-0267021	Set Screw	1/4"-20 x 1/4"	4
26	TS-0206031	Socket Head Cap Screw	#10-24 x 5/8"	4
27	JWL1642-127	Tap Screw	M3x10	4
28	JWL1642-128	DRO Cover		1
29	JWL1642-129	Plate		1
30	JWL1642-130	Digital Readout	JWL-1642EVS	1
	JWL1642-130A	Digital Readout	JWL-1642EVS-2	1
31	TS-1540011	Nut	M3	2
32	TS-236103	Lock Washer	M3	2
33	TS-2283202	Round Head Screw	M3 x 20	2
34	JWL1642-134	Tapping Screw	1/4" x 1/2"	2
35	JWL1642-135	Bracket		1
36	JWL1642-136	Label Control Panel		1
37	JWL1642-137	Push/Pull Switch		1
38	TS-0206011	Socket Head Cap Screw	#10-24 x 3/8"	8
39	JWL1642-139	Panel Cover		1
40	JWL1442-116	Spring		1
41	JWL1642-141	Fwd/Rev Switch		1
42	JWL1642-142	Variable Speed Control		1
43	JWL1642-143	Variable Speed Knob		1
44	JWL1642-144	Speed Label		1
45	JWL1642-145	Belt Door		1
46	JWL1642-146	Knob		1

Headstock Assembly (continued)

Index No.	Part No.	Description	Size	Qty.
47	JWL1642-147	O-Ring		1
48	JWL1442-122	Spindle Lock Pin		1
49	JWL1642-149	Retaining Washer		1
50	JWL1442-121	Bracket		1
51	JWL1442-153	Plate		1
52	TS-0720041	Lock Washer	#8	2
53	JWL1642-155	Pad		1
54	JWL1642-154	Door Hinge		1
55	TS-056006	Hex Nut	#8-32	2
56	JWL1442-127	Bushing		1
57	JWL1442-128	Clamp Bolt		1
58	JWL1442-154	Clamp		1
59	TS-0561081	Hex Nut	3/4"-10	1
60	JWL1442-124	C-Ring	S19	2
61	JWL1642-161	Lever		1
62	JWL1642-162	Handle		1
63	JWL1642-163	Key	5 x 5 x 40	1
64	JWL1642-164	Inverter	JWL-1642EVS	1
	JWL1642-164A	Inverter	JWL-1642EVS-2	1
65	JWL1642-165	Strain Relief		3
66	JWL1642-166	Bracket		1
67	TS-0270011	Set Screw	5/16"-18 x 1/4"	1
68	JWL1642-168	Plunger		1
69	JWL1642-169	Braking Resistor	JWL-1642EVS	1
	JWL-1642169A	Braking Resistor	JWL-1642EVS-2	1
70	JWL1642-170	Signal Cord		1
71	JWL1642-171	Power Cord	JWL-1642EVS	1
	JWL1642-171A	Power Cord	JWL-1642EVS-2	1
72	JWL1642-172	Motor Cord		1
73	JWL1642-173	Motor Label	JWL-1642EVS	1
	JWL1642-173A	Motor Label	JWL-1642EVS-2	1
74	JWL1642-174	Collar		1
75	JWL1442-169	Index Pin		1
76	JWL1642-176	Key	8 x 8 x 90	1
77	TS-0051021	Hex Head Bolt	5/16"-18 x 5/8"	4
78	JWL1442-126	Key	5 x 5 x 30	1
79	JWL1642-179	Guard		1
80	JWL1642-180	Guard Bracket		1
81	TS-0209071	Hex Socket Cap Screw	3/8"-16 x 1-1/2"	2
82	TS-0720091	Lock Washer	3/8"	2
83	JWL1642-183	Cable Clamp		1
84	TS-056007	Hex Nut	#10	1
85	JWL1642-185	Cable Clamp		1
86	TS-0206021	Hex Socket Cap Screw	#10-24 x 1/2"	1
87	JWL1642-187	Collar		2
88	JWL1642-188	Hex Nut		2
89	TS-1524031	Set Screw	M8x12	2

Wiring Diagram for JWL-1642EVS

