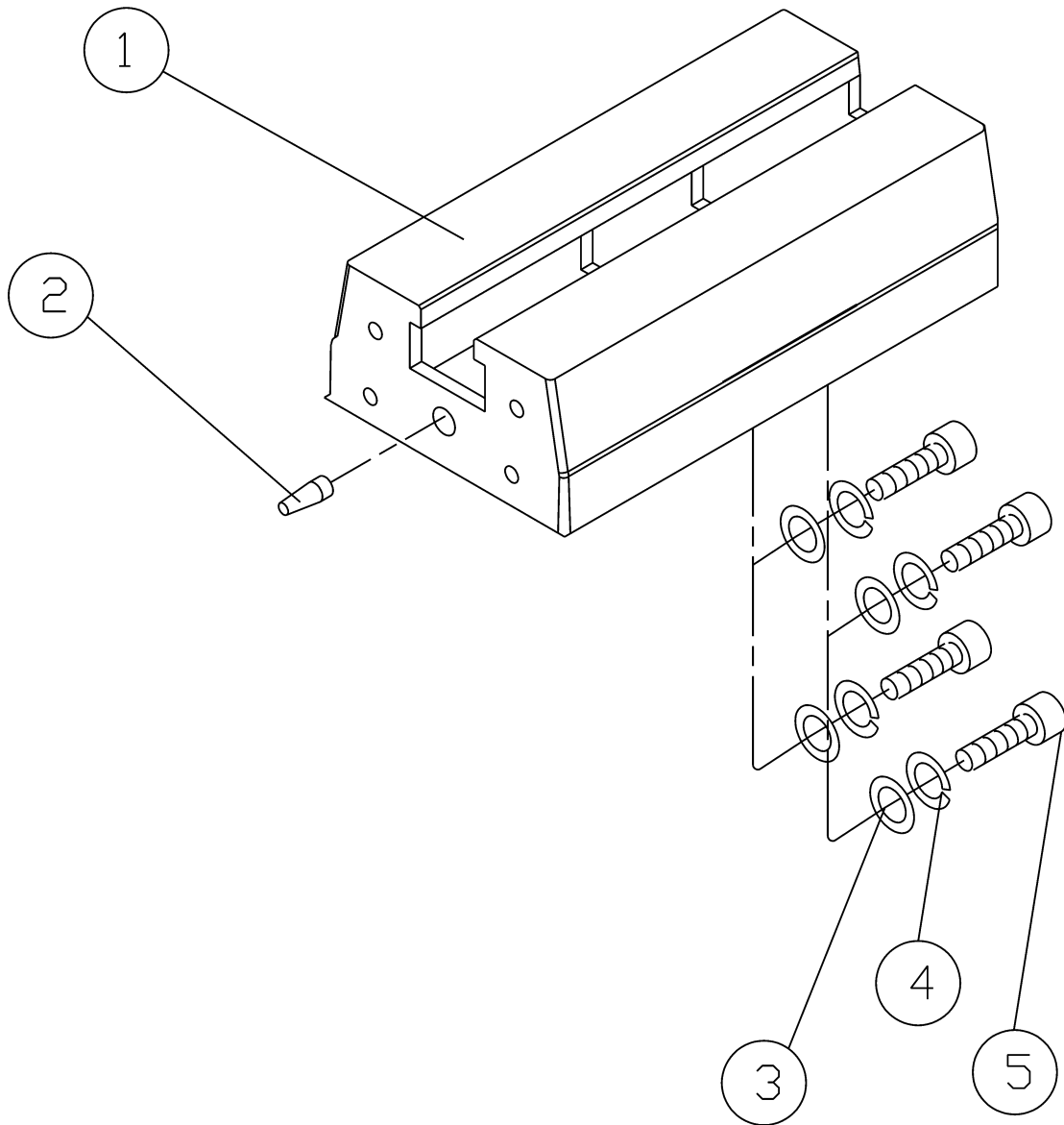


20" Bed Extension Breakdown



20" Bed Extension Part's List

| Index No. | Part No. | Description | Size | Qty. |
|-----------|-------------|----------------------|----------------|------|
| 1 | JWL1642-401 | 20" Bed Extension | | 1 |
| 2 | JWL1642-302 | Tapered Pin | | 1 |
| 3 | TS-0680041 | Flat Washer | 3/8" | 4 |
| 4 | TS-0720091 | Lock Washer | 3/8" | 4 |
| 5 | TS-0209081 | Hex Socket Cap Screw | 3/8"-16x1-3/4" | 4 |